

Inhoudsopgave

Achteras Aandrijving	101
Achteras Behuizing	77
Brandstof Tank	35
Bumper & Motorkapsluiting	37
Dashbord	59
Differentieel Slot	105
Driepunt	169
Eindvertraging Weil	103
Elecktrisch	121
Gaskabels	17
Hydrauliek	127
Hydrauliek Hef	139
Hydrauliek PTO - Diff. Slot	135
Hydrauliek Stuur	131
Hydrauliek Ventielen	137
Kabine	189
Koppeling	83
Koppeling Pedalen & Aansturing	85
Luchtfilter	27
Middenstuk & As	75
Motor	5
Motorkap	39
Oliekoeler	129
P.T.O.	107
P.T.O. Schakeling	113
Radiator & Slangen	19
Rem Pedalen	117
Remmen	115
Rolbeugel & Spatschermen Voor	43
Schakelpoken & Gaffels	97
Schakelpook & Zitting Montage	63
Spatschermen Achter	51
Spatschermen Voor	45
Stickers	55
Tandwielen	89
Treepanken & Kappen	47
Trekhaak	177
Vooras Aandrijving	79
Vooras Behuizing	71
Wielen & Banden	183
Zittingen	67
Parts Index	219

Code	Description	Notes
A.01.01_1_48842	ENGINE	Engine: 75 CV
A.01.02_1_45599	ENGINE	Engine: 85 CV
A.01.03_1_45644	ENGINE	Engine: 95 CV
A.02.02_0_42523	ENGINE CONTROLS	
A.03.01_0_45689	COOLER	Engine: 75 CV
A.03.02_0_45727	COOLER	Engine: 85 CV, 95 CV
A.04.01_0_45765	AIR FILTER	Engine: 75 CV
A.04.02_0_45780	AIR FILTER WITH EXTERNAL AIR INTAKE	Engine: 75 CV
A.04.03_0_45796	AIR FILTER	Engine: 85 CV, 95 CV
A.04.04_0_45812	AIR FILTER WITH EXTERNAL AIR INTAKE	Engine: 85 CV, 95 CV
A.05.01_0_45829	FUEL TANK	
B.01.01_0_47067	FRONT SUPPORT	
B.02.01_1_47161	BONNET	
B.03.01_0_50545	FRONT MUDGUARDS	
B.03.02_0_50571	FRONT MUDGUARDS (VERSION WITH CAB)	
B.04.03_0_39956	BOARDS	
B.04.04_0_39988	BOARDS (VERSION WITH CAB)	
B.05.01_0_50640	REAR MUDGUARDS	
B.05.02_0_50667	REAR MUDGUARDS (VERSION WITH CAB)	
B.07.01_0_42552	PLATES AND STICKERS	
B.08.02_0_38771	DASHBOARD	
B.10.01_0_38824	SEAT SUPPORT / GEAR LEVERS COVER	
B.12.01_0_46793	SEAT (STANDARD)	
B.12.02_0_51039	SEAT (KAB)	
C.01.01_1_38975	FRONT AXLE FRONT AXLE	
C.02.02_0_39075	CENTRAL SECTION	
C.03.01_0_39252	REAR AXLE	
D.01.01_0_40115	FRONT TRANSMISSION	
D.02.01_0_39284	CLUTCH FRONT SHAFT / TRANSMISSION CLUTCH	
D.03.02_1_39804	CLUTCH CONTROLS	
D.04.01_1_42845	INPUT SHAFT / RANGES MAIN SHAFT / GEARS	Version: RS-M, RS-R, AR-M, AR-R
D.05.01_1_42883	GEARS MAIN SHAFT / GEARS	Version: RS-M, RS-R, AR-M, AR-R
D.06.01_1_42932	GEARS TRANSMISSION SHAFT / GEARS	Version: RS-M, RS-R, AR-M, AR-R
D.07.02_1_39700	GEARBOX CONTROLS	

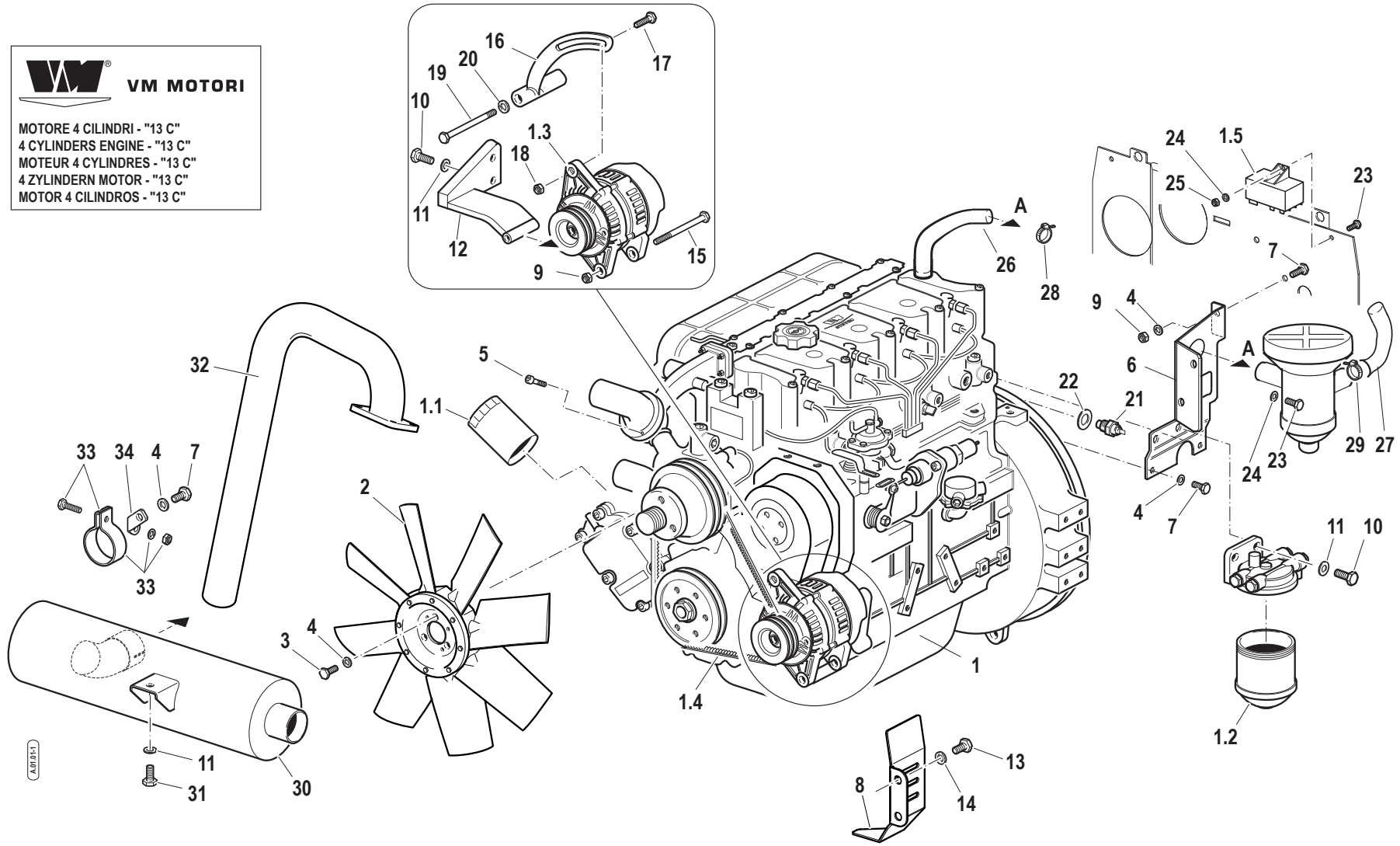
Thor 75–85-95 RS reversible

Code	Description	Notes
D.09.01_0_39847	REAR TRANSMISSION	
D.10.01_0_39887	EPYCLIC REDUCTION GEARS	
D.11.01_0_40184	DIFFERENTIAL LOCK	
D.12.01_1_40279	POWER TAKE-OFF	
D.13.01_0_40355	POWER TAKE-OFF CONTROLS	
D.14.01_0_40378	BRAKES	
D.15.02_0_40421	BRAKES CONTROLS	
E.01.01_0_42630	FRONT ELECTRICAL SYSTEM	
E.02.01_0_46767	ENGINE ELECTRIC SYSTEM	
E.03.02_0_42668	REAR ELECTRICAL SYSTEM	
F.01.02_0_51136	HYDR. SYSTEM DOUBLE OIL SUCTION	
F.02.01_0_51232	HYDR. SYSTEM : HEAT EXCHANGER	
F.03.02_1_40650	STEERING HYDR. SYSTEM	
F.04.01_0_46735	PTO /DIFFERENTIAL LOCK HYDR. SYSTEM	
I.01.01_0_40883	HYDR. CONTROL VALVES: AVAILABLE PARTS	
L.01.01_0_40903	RAISE/LOWER LIFT	
L.02.01_0_40937	FREE DISCHARGE CONTROL VALVES VERSION	
L.02.03_0_41043	HYDR. SUSPENSION VERSION	
L.02.04_0_41097	CONTROL VALVES WITHOUT FREE DISCHARGE VERSION	
M.01.01_0_41199	POSITION AND DRAFT CONTROL LIFT	
M.02.01_0_41268	FREE DISCHARGE CONTROL VALVES VERSION	
M.02.02_0_41339	CONTROL VALVES WITHOUT FREE DISCHARGE VERSION	
T.01.01_0_41550	IMPLEMENTS ATTACHMENT - STANDARD	
T.01.02_0_41578	IMPLEMENTS ATTACHMENT - ADJUSTABLE ARMS WITH QUICK HITCHES	
T.01.03_0_41614	IMPLEMENTS ATTACHMENT - ADJUSTABLE ARMS WITH QUICK HITCHES	
T.03.01_0_41710	PULL HOOK - STANDARD	
T.03.02_0_41719	POOL HOOK "EEC" APPROVED	
T.03.03_0_42459	SLIDER FRAME WITH EEC HOM. TOW HOOK	
W.01.01_0_44125	WHEELS AND TYRES (TABLE 1/2)	
W.01.02_0_45287	WHEELS AND TYRES (TABLE 2/2)	
Y.01.01_0_44535	FRAME "LOCHMANN"	
Y.01.02_0_44621	FRONT GLASS "LOCHMANN"	
Y.01.03_0_44709	REAR GLASS "LOCHMANN"	
Y.01.04_0_45149	SIDE GLASS "LOCHMANN"	

Code	Description	Notes
Y.01.05_0_44795	LEFT/RIGHT DOOR "LOCHMANN"	
Y.01.06_0_44875	UNDER-ROOF - HEATING "LOCHMANN"	
Y.01.07_0_45001	TOP "LOCHMANN"	
Y.01.08_0_45176	CAB SUPPORTS - COVERING	
Y.01.09_0_45063	AIR CONDITIONING "LOCHMANN"	

VM MOTORI

MOTORE 4 CILINDRI - "13 C"
 4 CYLINDERS ENGINE - "13 C"
 MOTEUR 4 CYLINDRES - "13 C"
 4 ZYLINDER MOTOR - "13 C"
 MOTOR 4 CILINDROS - "13 C"



Pos.	Code	Q.ty	Description	Notes
1	41U50000	1	MOT.VM D754E2.21A 47KW 13C/4	
1.1	58171199	1	OIL FILTER CARTRIDGE	
1.2	58171200	1	FUEL FILTER CARTRIDGE	
1.3	59900344	1	ALTERNATOR	
1.4	59900766	1	BELT	
1.5	59900345	1	CENTRAL PROCESSING UNIT	
2	57376726	1	FAN	
3	31112150	3	SCREW TE M8X20 UNI 5739 8G	
4	F0843643060	7	WASHER 8	
5	F0862479035	1	SCREW	
6	59079167	1	RETAINER	
7	31111151	4	SCREW TE M8X16 UNI 5739 8G	
8	56177979	1	SHIELD	
9	31211080	2	NUT M8	
10	31112219	5	SCREW TE M10X25 UNI 5739	
11	F0843755000	6	WASHER 10	
12	59077318	1	SUPPORT	
13	31112082	2	SCREW TE M6X12 UNI 5739 8G	
14	31411064	2	WASHER 6,4x12,5	
15	31112174	1	SCREW TE M8X110 UNI 5737 8.8	
16	59076688	1	ROD	
17	31112153	1	SCREW TE M8X35 UNI 5739 8G	
18	31421083	1	WASHER	
19	F0864335020	1	SCREW M14X120 UNI 5737	
20	31421251	1	WASHER	
21	58175773	1	ELECTRONICAL THERMOMETER	
22	F0844030070	1	COPPER WASHER 16,0x22/1,5	
23	31112090	2	SCREW TE M6X16 UNI 5739 8G	
24	F0843570000	2	WASHER 6	
25	31211060	2	HEXAGONAL NUT M8	
26	55176744	1	PIPE	
27	58177400	1	OIL PIPE	
28	F0817500400	3	CLAMP 024,1-706R	
29	F0817500200	1	CLAMP 015,7-706R	

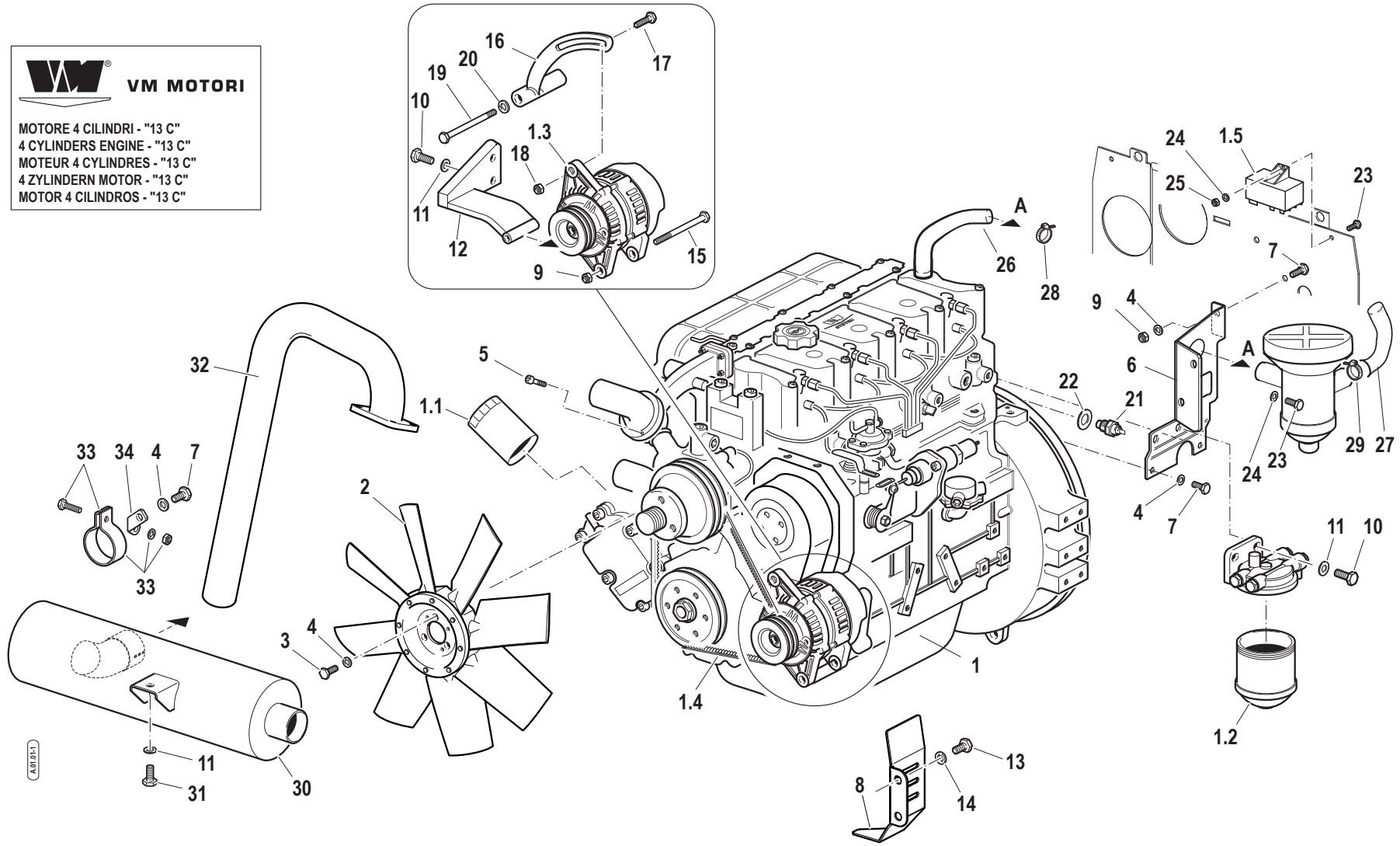
SERIAL

ENGINE
Engine: 75 CV

CODE REV

A.01.01_1_48842

VM MOTORI
 MOTORE 4 CILINDRI - "13 C"
 4 CYLINDERS ENGINE - "13 C"
 MOTEUR 4 CYLINDRES - "13 C"
 4 ZYLINDER MOTOR - "13 C"
 MOTOR 4 CILINDROS - "13 C"



Pos.	Code	Q.ty	Description	Notes
30	58176618	1	EXHAUST SILENCER	
31	31112210	1	SCREW TE M10X20 UNI 5739	
32	59076620	1	EXHAUST	
33	58175121	1	COLLAR	
34	56177183	1	REINFORCED STRAP	

SERIAL

ENGINE
Engine: 75 CV

CODE REV

A.01.01_1_48842

Pos.	Code	Q.ty	Description	Notes
1	41U60000	1	MOT.VM D704TE2.21A 60KW 77B/4	
1.1	58171199	1	OIL FILTER CARTRIDGE	
1.2	58171200	1	FUEL FILTER CARTRIDGE	
1.3	59900344	1	ALTERNATOR	
1.4	59900766	1	BELT	
1.5	59900345	1	CENTRAL PROCESSING UNIT	
2	58178646	1	FAN	
3	F0862694000	3	SCREW M8X170 UNI 5737	
4	F0843643060	7	WASHER 8	
5	F0862479035	1	SCREW	
6	59079167	1	RETAINER	
7	31111151	4	SCREW TE M8X16 UNI 5739 8G	
8	56177979	1	SHIELD	
9	31211080	2	NUT M8	
10	31112219	5	SCREW TE M10X25 UNI 5739	
11	F0843755000	6	WASHER 10	
12	59077318	1	SUPPORT	
13	31112082	2	SCREW TE M6X12 UNI 5739 8G	
14	31411064	2	WASHER 6,4x12,5	
15	31112174	1	SCREW TE M8X110 UNI 5737 8.8	
16	59076688	1	ROD	
17	31112153	1	SCREW TE M8X35 UNI 5739 8G	
18	31421083	1	WASHER	
19	F0864335020	1	SCREW M14X120 UNI 5737	
20	31421251	1	WASHER	
21	58175773	1	ELECTRONICAL THERMOMETER	
22	F0844030070	1	COPPER WASHER 16,0x22/1,5	
23	31112090	2	SCREW TE M6X16 UNI 5739 8G	
24	F0843570000	2	WASHER 6	
25	31211060	2	HEXAGONAL NUT M8	
26	55176744	1	PIPE	
27	58177400	1	OIL PIPE	
28	F0817500400	3	CLAMP 024,1-706R	
29	F0817500200	1	CLAMP 015,7-706R	

SERIAL

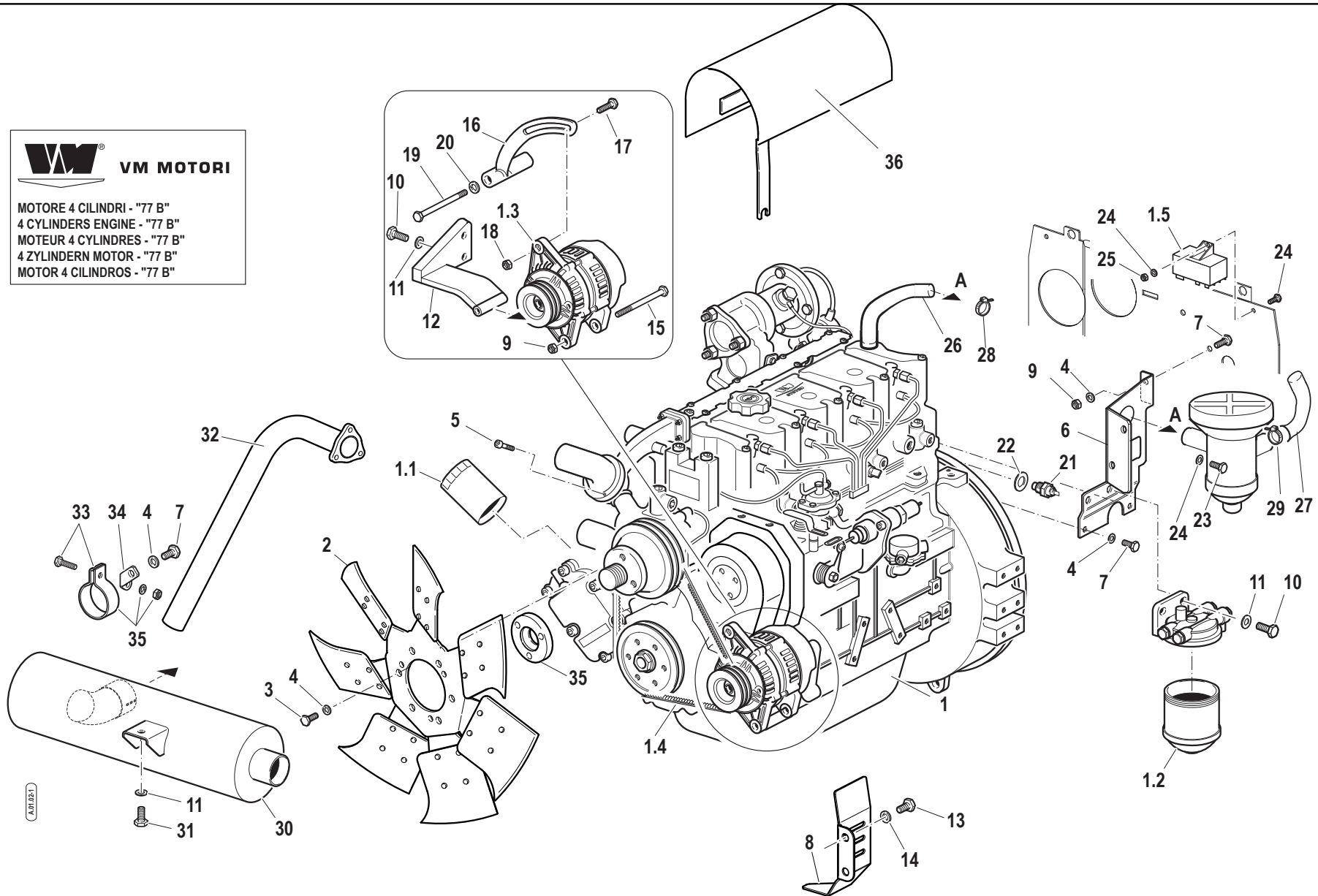
ENGINE
Engine: 85 CV

CODE REV

A.01.02_1_45599

VM MOTORI

MOTORE 4 CILINDRI - "77 B"
 4 CYLINDERS ENGINE - "77 B"
 MOTEUR 4 CYLINDRES - "77 B"
 4 ZYLINDER MOTOR - "77 B"
 MOTOR 4 CILINDROS - "77 B"



Pos.	Code	Q.ty	Description	Notes
30	58176618	1	EXHAUST SILENCER	
31	31112210	1	SCREW TE M10X20 UNI 5739	
32	59076619	1	EXHAUST	
33	58175121	1	COLLAR	
34	56177183	1	REINFORCED STRAP	
35	56178649	1	SPACER	
36	59076682	1	GUARD	

SERIAL

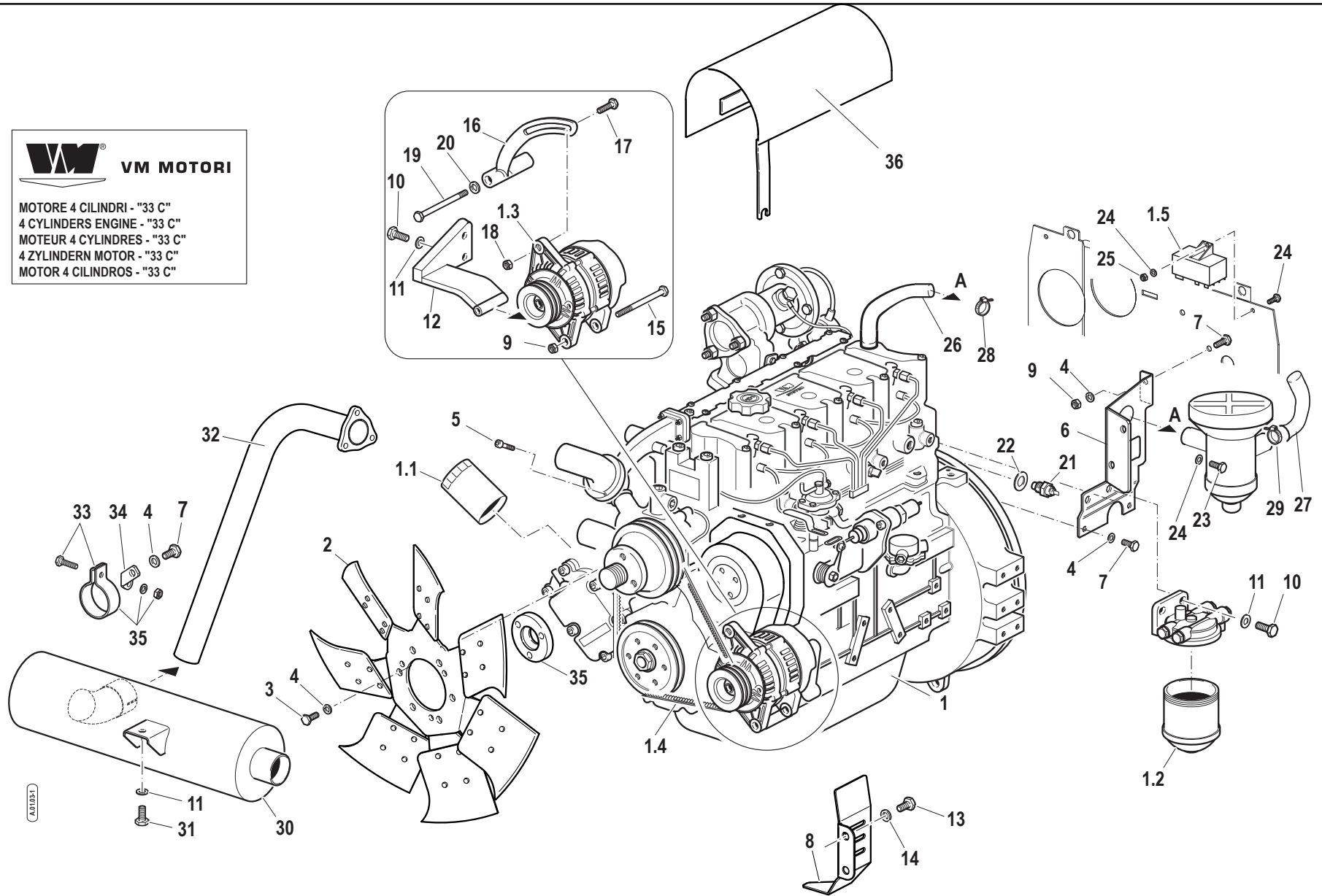
ENGINE
Engine: 85 CV

CODE REV

A.01.02_1_45599

VM MOTORI

MOTORE 4 CILINDRI - "33 C"
 4 CYLINDERS ENGINE - "33 C"
 MOTEUR 4 CYLINDRES - "33 C"
 4 ZYLINDER MOTOR - "33 C"
 MOTOR 4 CILINDROS - "33 C"



Pos.	Code	Q.ty	Description	Notes
1	41U70000	1	MOT.VM D754TE2.21A 67KW 33C/4	
1.1	58171199	1	OIL FILTER CARTRIDGE	
1.2	58171200	1	FUEL FILTER CARTRIDGE	
1.3	59900344	1	ALTERNATOR	
1.4	59900766	1	BELT	
1.5	59900345	1	CENTRAL PROCESSING UNIT	
2	58178646	1	FAN	
3	F0862694000	3	SCREW M8X170 UNI 5737	
4	F0843643060	7	WASHER 8	
5	F0862479035	1	SCREW	
6	59079167	1	RETAINER	
7	31111151	4	SCREW TE M8X16 UNI 5739 8G	
8	56177979	1	SHIELD	
9	31211080	2	NUT M8	
10	31112219	5	SCREW TE M10X25 UNI 5739	
11	F0843755000	6	WASHER 10	
12	59077318	1	SUPPORT	
13	31112082	2	SCREW TE M6X12 UNI 5739 8G	
14	31411064	2	WASHER 6,4x12,5	
15	31112174	1	SCREW TE M8X110 UNI 5737 8.8	
16	59076688	1	ROD	
17	31112153	1	SCREW TE M8X35 UNI 5739 8G	
18	31421083	1	WASHER	
19	F0864335020	1	SCREW M14X120 UNI 5737	
20	31421251	1	WASHER	
21	58175773	1	ELECTRONICAL THERMOMETER	
22	F0844030070	1	COPPER WASHER 16,0x22/1,5	
23	31112090	2	SCREW TE M6X16 UNI 5739 8G	
24	F0843570000	2	WASHER 6	
25	31211060	2	HEXAGONAL NUT M8	
26	55176744	1	PIPE	
27	58177400	1	OIL PIPE	
28	F0817500400	3	CLAMP 024,1-706R	
29	F0817500200	1	CLAMP 015,7-706R	

SERIAL

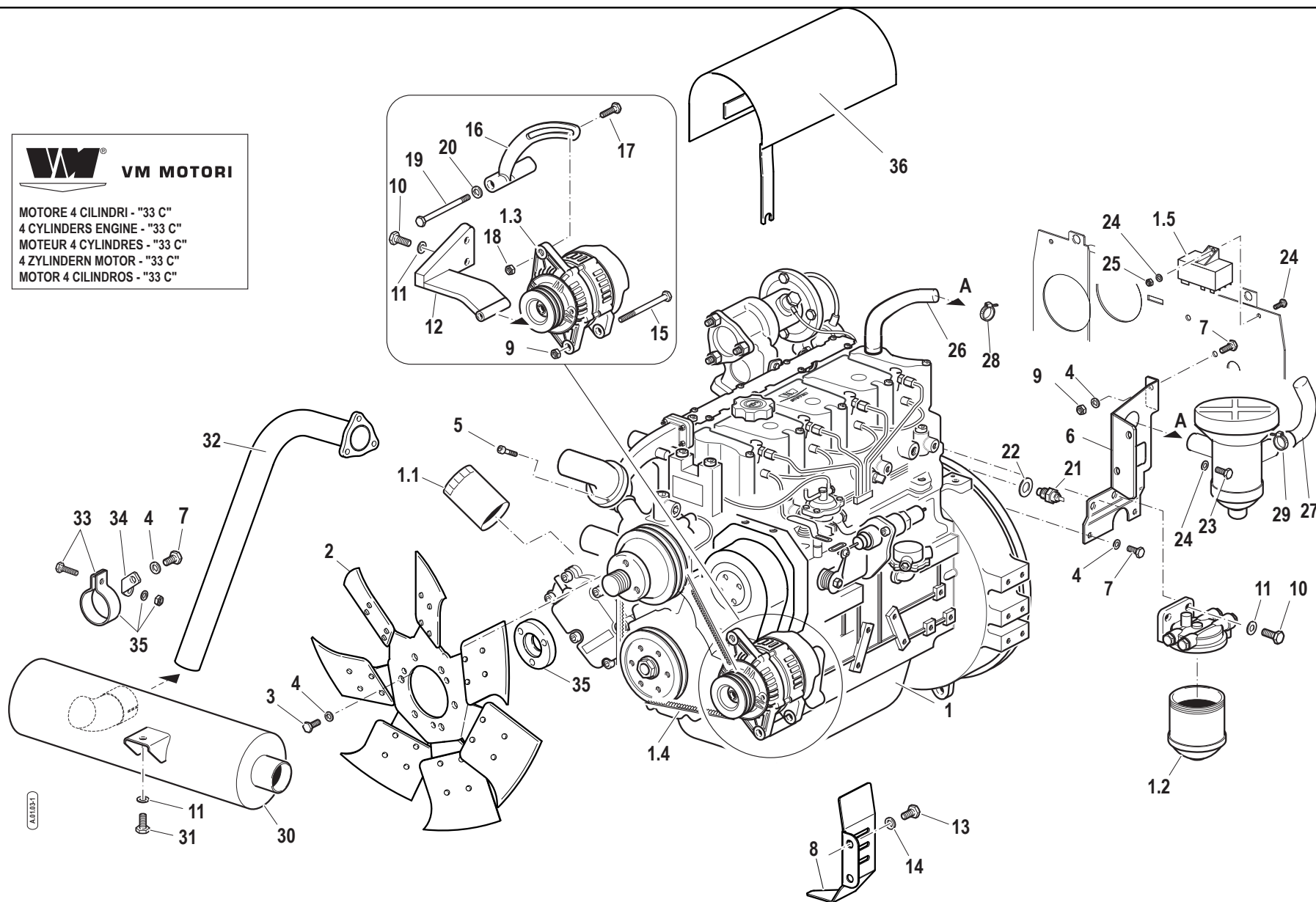
ENGINE
Engine: 95 CV

CODE REV

A.01.03_1_45644

VM MOTORI

MOTORE 4 CILINDRI - "33 C"
 4 CYLINDERS ENGINE - "33 C"
 MOTEUR 4 CYLINDRES - "33 C"
 4 ZYLINDER MOTOR - "33 C"
 MOTOR 4 CILINDROS - "33 C"



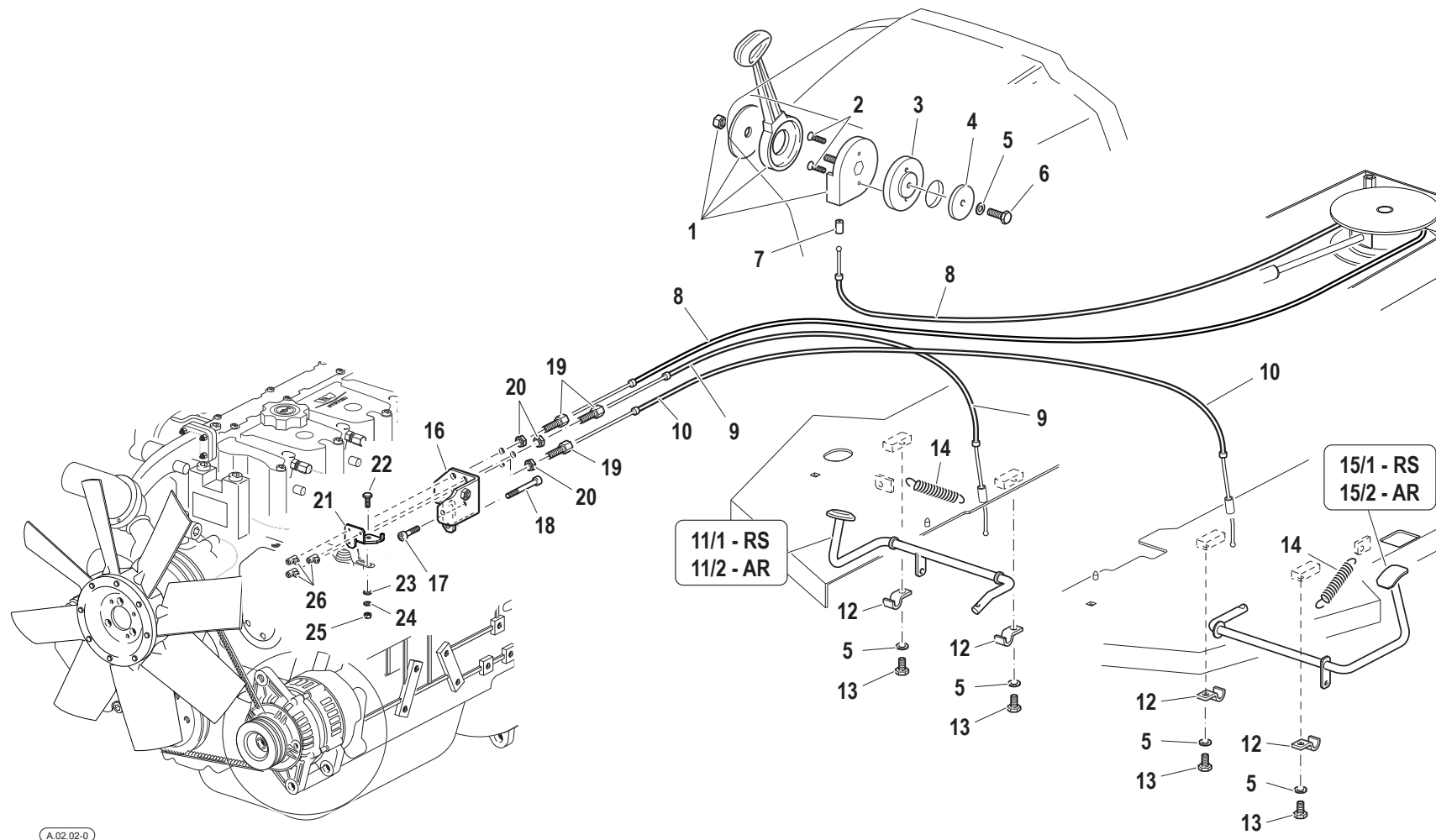
Pos.	Code	Q.ty	Description	Notes
30	58176618	1	EXHAUST SILENCER	
31	31112210	1	SCREW TE M10X20 UNI 5739	
32	59076619	1	EXHAUST	
33	58175121	1	COLLAR	
34	56177183	1	REINFORCED STRAP	
35	56178649	1	SPACER	
36	59076682	1	GUARD	

SERIAL

ENGINE
Engine: 95 CV

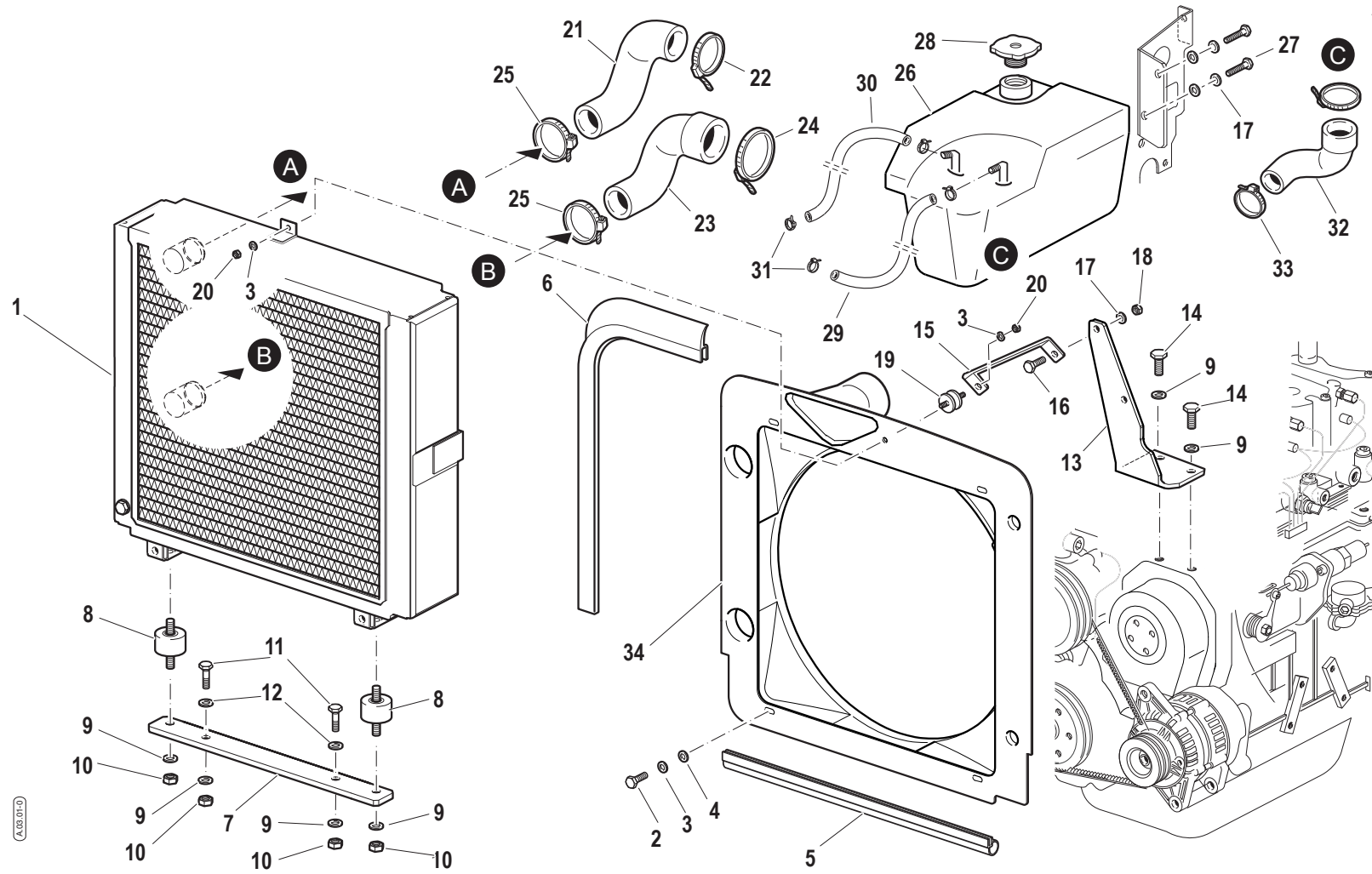
CODE REV

A.01.03_1_45644



Pos.	Code	Q.ty	Description	Notes
1	F0828029070	1	ACCELERATOR	
2	31132562	2	SCREW TSVEI M6X16 UNI 5933	
3	56171877	1	FLANGE	
4	56171883	1	WASHER	
5	F0843643060	5	WASHER 8	
6	31112150	1	SCREW TE M8X20 UNI 5739 8G	
7	F0858520000	1	SLEEVE	
8	58078631	1	CABLE	
9	58072074	1	CABLE	
10	58072075	1	CABLE	
11/1	59074346	1	ACCEL. PEDAL	
11/2	59073681	1	ACCEL. PEDAL	
12	56071768	4	PLATE	
13	31112148	2	SCREW TE M8X18 UNI 5739 8G	
14	F0831125000	2	SPRING	
15/1	59074347	1	ACCEL. PEDAL	
15/2	59074213	1	ACCEL. PEDAL	
16	56174661	1	BRACKET	
17	31152060	1	SCREW TCEI M6X30 UNI 5931	
18	31152068	1	SCREW TCEI M6X55 UNI 5931	
19	56177656	3	REGISTER	
20	31231080	3	NUT M8	
21	56177655	1	BRACKET	
22	31112051	1	SCREW TE M5X14 UNI 5739 8G	
23	31411053	1	WASHER 5,3x10	
24	F0843561000	1	WASHER 5	
25	31211050	1	NUT M5	
26	58048002	3	CLAMPING SCREW	

COOLER



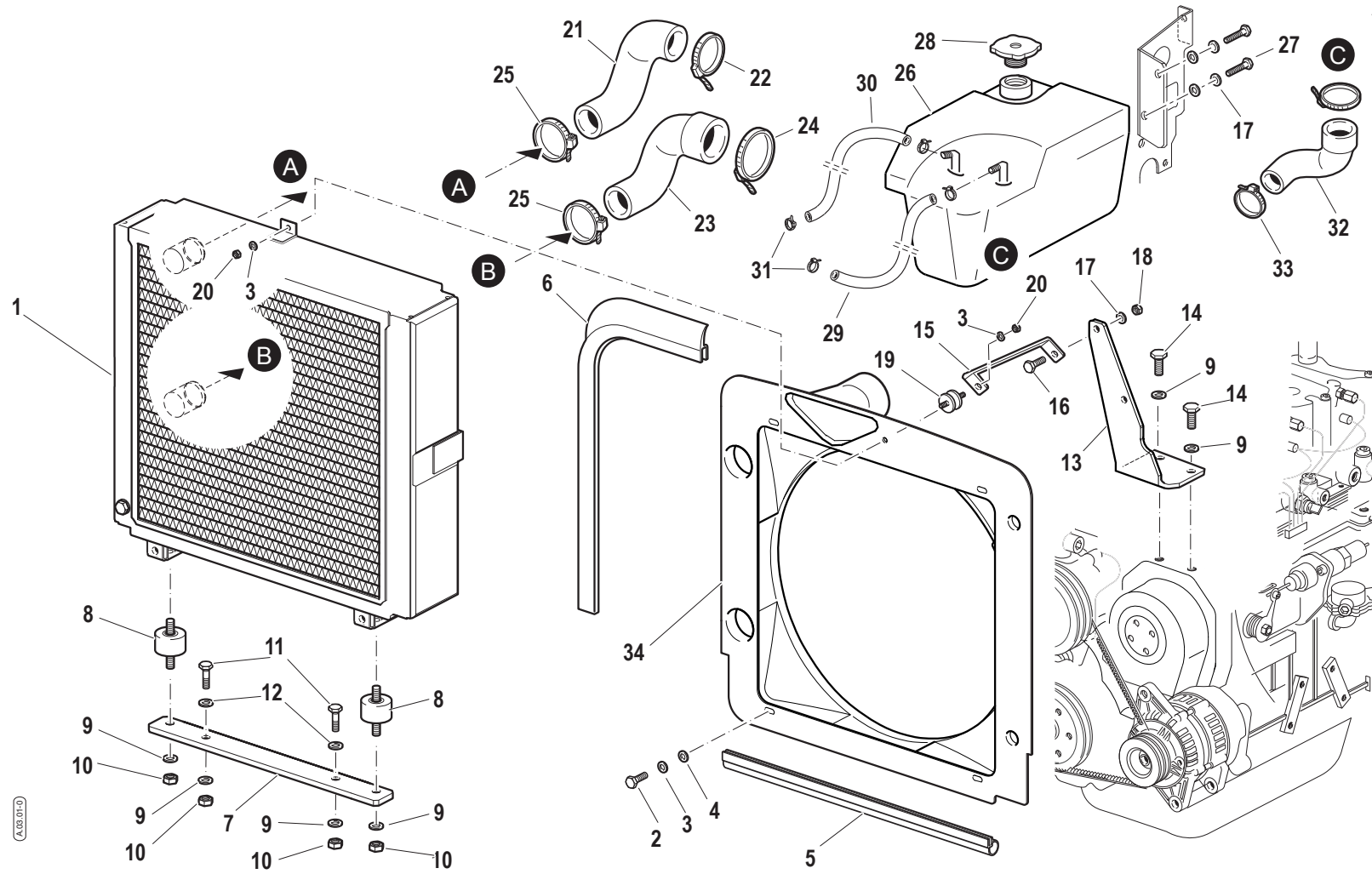
Pos.	Code	Q.ty	Description	Notes
1	58178586	1	RADIATOR	
2	31112082	4	SCREW TE M6X12 UNI 5739 8G	
3	F0843570000	6	WASHER 6	
4	31411064	4	WASHER 6,4x12,5	
5	28174882	1	GASKET	
6	F0256809050	1	GASKET	
7	56178805	1	BRACKET	
8	58174608	2	SILENT-BLOCK	
9	F0843755000	5	WASHER 10	
10	F0814632000	4	NUT M10	
11	31112212	2	SCREW TE M10X35 UNI 5739	
12	56178806	2	SPACER	
13	59076684	1	FIXING BRACKET	
14	31152103	1	SCREW TCEI M10X25 UNI 5931	
15	56176691	1	FIXING BRACKET	
16	31112151	1	SCREW TE M8X25 UNI 5739 8G	
17	F0843643060	3	WASHER 8	
18	31211080	1	NUT M8	
19	F0849206005	1	SILENT-BLOCK	
20	F0814545000	2	NUT M6	
21	55174632	1	SLEEVE	
22	F0817500500	1	CLAMP 048,5-706R	
23	55177639	1	SLEEVE	
24	F0817500700	1	CLAMP 057,5-706R	
25	F0817500470	2	CLAMP	
26	P236340000000	1	CUP	
27	31111151	2	SCREW TE M8X16 UNI 5739 8G	
28	P236220000000	1	PLUG	
29	58078677	1	VENT HOSE	
30	58075873	1	VENT HOSE	
31	F0817500200	4	CLAMP 015,7-706R	
32	58077132	1	PIPE	
33	F0817500400	2	CLAMP 024,1-706R	
34	58178638	1	DUCT	

SERIAL

COOLER
Engine: 75 CV

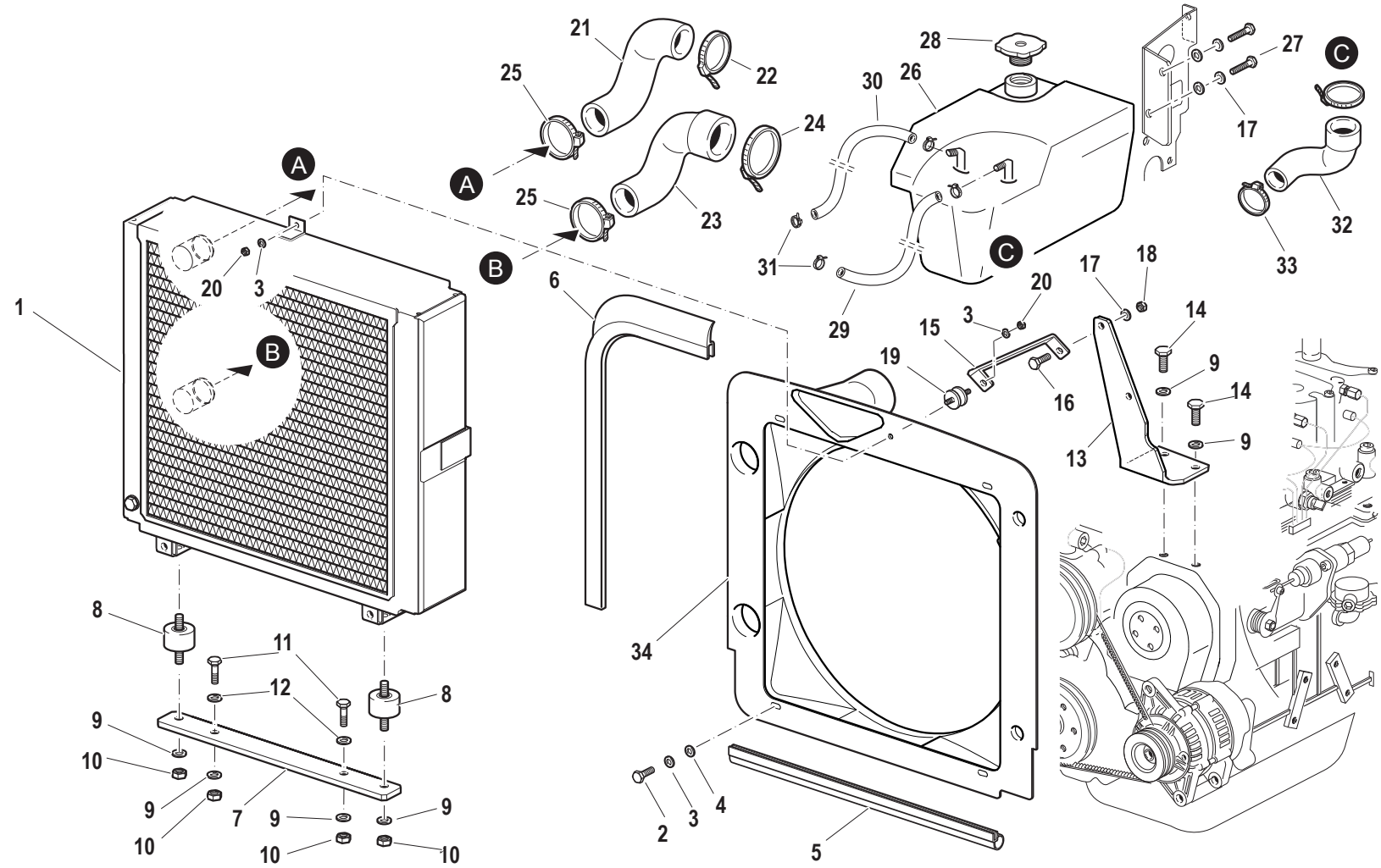
CODE REV

A.03.01_0_45689



Pos.	Code	Q.ty	Description	Notes
35	31111091	4	SCREW E M6X14 UNI 5739 8G	
36	31211060	2	HEXAGONAL NUT M8	
37	31411066	6	WASHER 6,6x18	

COOLER



A.03.02.0

Pos.	Code	Q.ty	Description	Notes
1	58178585	1	RADIATOR	
2	31112082	4	SCREW TE M6X12 UNI 5739 8G	
3	F0843570000	6	WASHER 6	
4	31411064	4	WASHER 6,4x12,5	
5	28174882	1	GASKET	
6	F0256809050	1	GASKET	
7	56178805	1	BRACKET	
8	58174608	2	SILENT-BLOCK	
9	F0843755000	5	WASHER 10	
10	F0814632000	4	NUT M10	
11	31112212	2	SCREW TE M10X35 UNI 5739	
12	56178806	2	SPACER	
13	59076684	1	FIXING BRACKET	
14	31152103	1	SCREW TCEI M10X25 UNI 5931	
15	56176691	1	FIXING BRACKET	
16	31112151	1	SCREW TE M8X25 UNI 5739 8G	
17	F0843643060	3	WASHER 8	
18	31211080	1	NUT M8	
19	F0849206005	1	SILENT-BLOCK	
20	F0814545000	2	NUT M6	
21	55174632	1	SLEEVE	
22	F0817500500	1	CLAMP 048,5-706R	
23	55177639	1	SLEEVE	
24	F0817500700	1	CLAMP 057,5-706R	
25	F0817500470	2	CLAMP	
26	P236340000000	1	CUP	
27	31111151	2	SCREW TE M8X16 UNI 5739 8G	
28	P236220000000	1	PLUG	
29	58078677	1	VENT HOSE	
30	58075873	1	VENT HOSE	
31	F0817500200	4	CLAMP 015,7-706R	
32	58077132	1	PIPE	
33	F0817500400	2	CLAMP 024,1-706R	
34	58178638	1	DUCT	

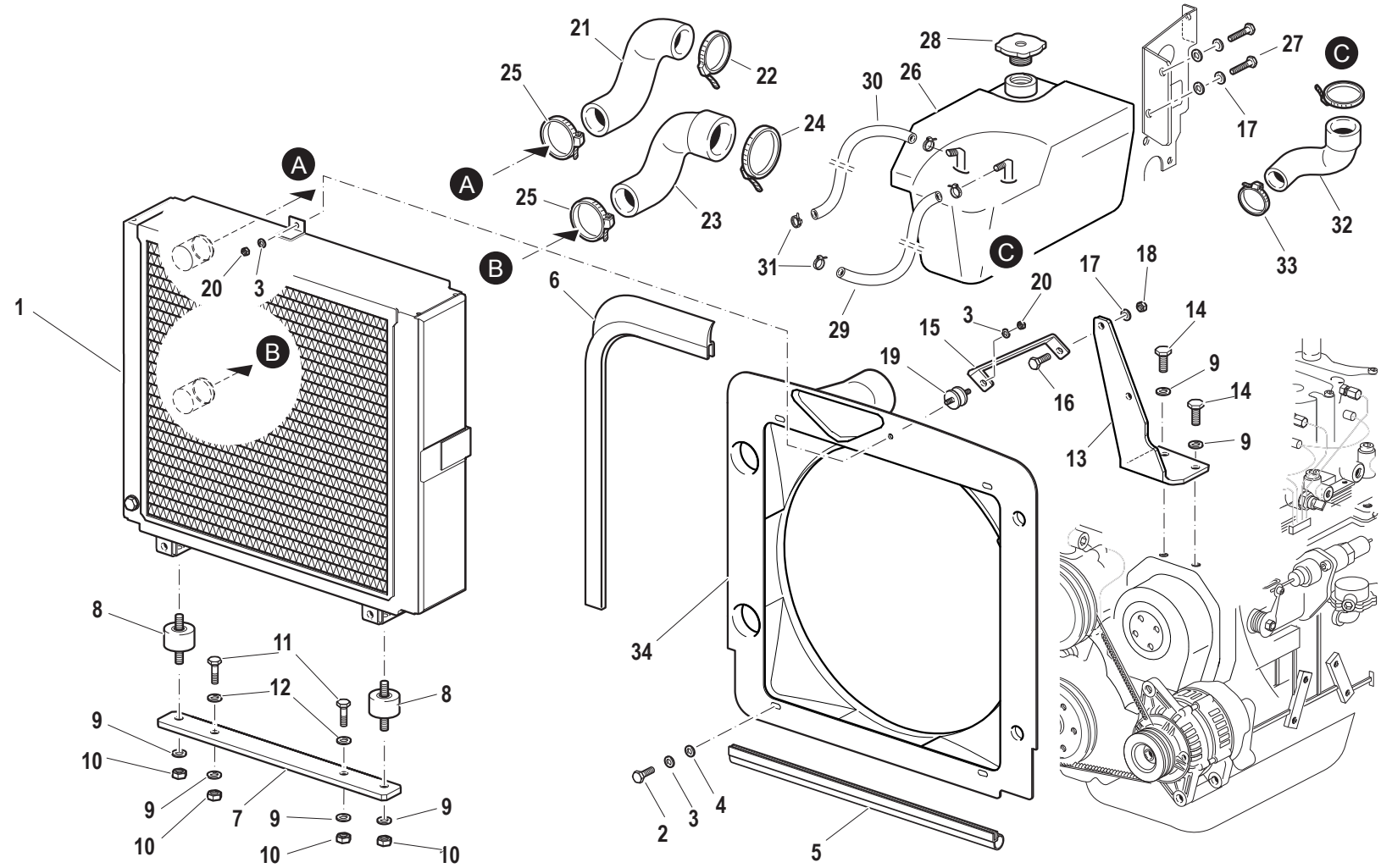
SERIAL

COOLER
 Engine: 85 CV, 95 CV

CODE REV

A.03.02_0_45727

COOLER



A.03.02.0

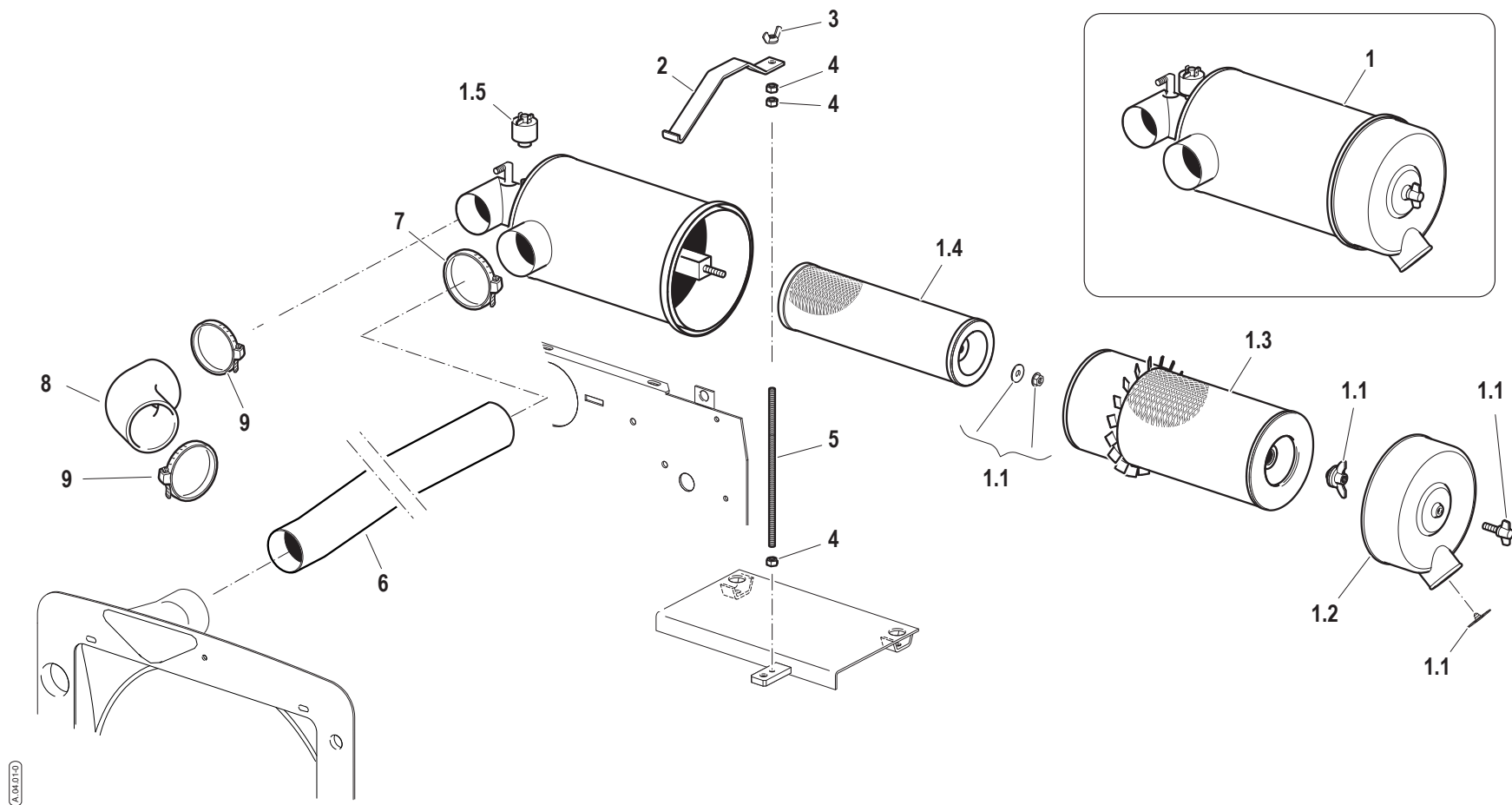
Pos.	Code	Q.ty	Description	Notes
35	31111091	4	SCREW E M6X14 UNI 5739 8G	
36	31211060	2	HEXAGONAL NUT M8	
37	31411066	6	WASHER 6,6x18	

SERIAL

COOLER
Engine: 85 CV, 95 CV

CODE REV

A.03.02_0_45727



Pos.	Code	Q.ty	Description	Notes
1	58176755	1	AIR FILTER	
1.1	59900353	1	KIT	
1.2	59900347	1	COVER	
1.3	58171028	1	CARTOUCHE	
1.4	58171027	1	CARTOUCHE	
1.5	58175122	1	DIGITAL INSTRUMENT	
2	56174636	1	FIXING BRACKET	
3	31200501	1	NUT M8	
4	31211080	3	NUT M8	
5	56174635	1	ROD	
6	58076753	1	SUCTION PIPE	
7	F0817501200	1	CLAMP 077,0-706R	
8	58076751	1	SLEEVE	
9	F0817501000	2	CLAMP 072,5-706R	

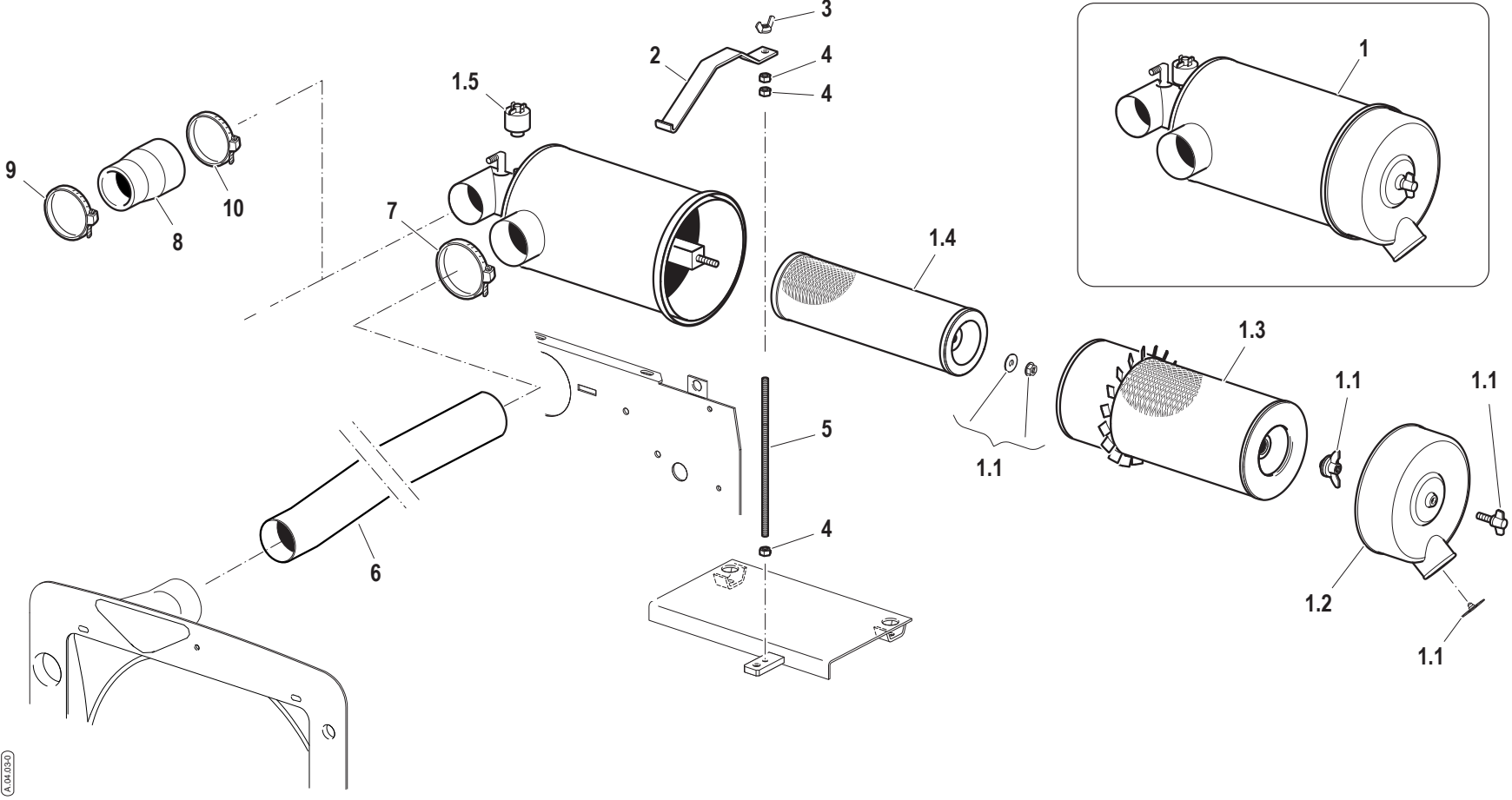
SERIAL

AIR FILTER
Engine: 75 CV

CODE REV

A.04.01_0_45765

Pos.	Code	Q.ty	Description	Notes
1	58176898	1	AIR FILTER	
1.1	59900353	1	KIT	
1.2	59900347	1	COVER	
1.3	58171028	1	CARTOUCHE	
1.4	58171027	1	CARTOUCHE	
1.5	58175122	1	DIGITAL INSTRUMENT	
2	56174636	1	FIXING BRACKET	
3	31200501	1	NUT M8	
4	31211080	3	NUT M8	
5	56174635	1	ROD	
6	58171069	1	PRECLEANER	
7	59073184	1	SCREW	
8	57377317	1	PLUG	
9	58076751	1	SLEEVE	
10	F0817501000	2	CLAMP 072,5-706R	



(A.04.03.0)

Pos.	Code	Q.ty	Description	Notes
1	58176755	1	AIR FILTER	
1.1	59900353	1	KIT	
1.2	59900347	1	COVER	
1.3	58171028	1	CARTOUCHE	
1.4	58171027	1	CARTOUCHE	
1.5	58175122	1	DIGITAL INSTRUMENT	
2	56174636	1	FIXING BRACKET	
3	31200501	1	NUT M8	
4	31211080	3	NUT M8	
5	56174635	1	ROD	
6	58076753	1	SUCTION PIPE	
7	F0817501200	1	CLAMP 077,0-706R	
8	58076750	1	SLEEVE	
9	F0817500800	1	CLAMP 062,0-706R	
10	F0817500900	1	CLAMP 069,5-706R	

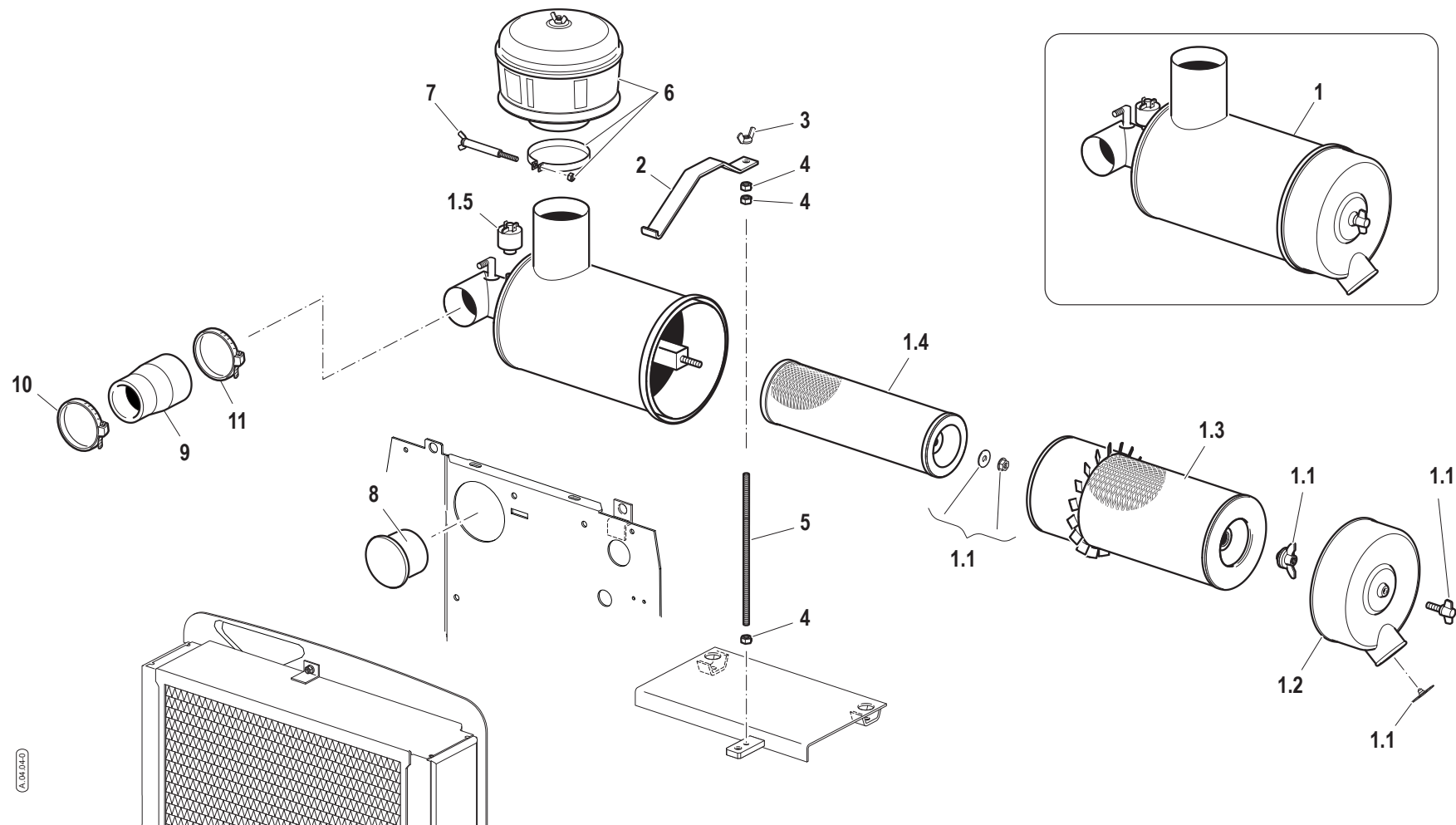
SERIAL

AIR FILTER
 Engine: 85 CV, 95 CV

CODE REV

A.04.03_0_45796

AIR FILTER WITH EXTERNAL AIR INTAKE



△ 04.04.12

Pos.	Code	Q.ty	Description	Notes
1	58176898	1	AIR FILTER	
1.1	59900353	1	KIT	
1.2	59900347	1	COVER	
1.3	58171028	1	CARTOUCHE	
1.4	58171027	1	CARTOUCHE	
1.5	58175122	1	DIGITAL INSTRUMENT	
2	56174636	1	FIXING BRACKET	
3	31200501	1	NUT M8	
4	31211080	3	NUT M8	
5	56174635	1	ROD	
6	58171069	1	PRECLEANER	
7	59073184	1	SCREW	
8	57377317	1	PLUG	
9	58076750	1	SLEEVE	
10	F0817500800	1	CLAMP 062,0-706R	
11	F0817500900	1	CLAMP 069,5-706R	

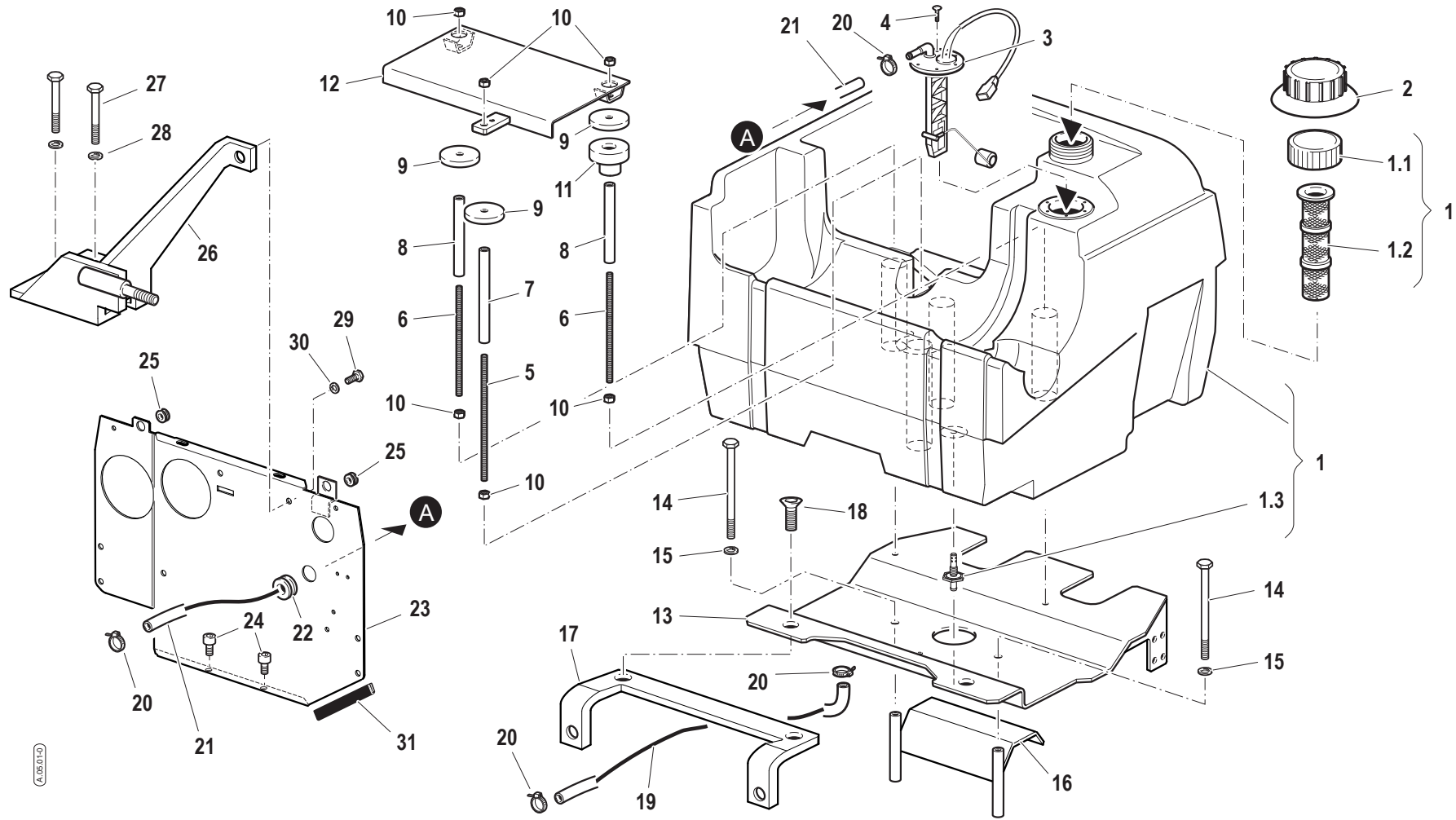
SERIAL

AIR FILTER WITH EXTERNAL AIR INTAKE

Engine: 85 CV, 95 CV

CODE REV

A.04.04_0_45812



A.05.01.0

Pos.	Code	Q.ty	Description	Notes
1	55276745	1	TANK	
1.1	F0849500001	1	TANK COVER	
1.2	F0849500002	1	FILTER	
1.3	57174915	1	PIPE FITTING	
2	57371900	1	LINING	
3	58170238	1	CONTROL	
4	F0861867050	6	SCREW M4,2X19 DIN 7981	
5	56174635	1	ROD	
6	56077608	2	ROD	
7	56176716	1	SPACER	
8	56176696	2	SPACER D.14x9/155,5	
9	56176814	3	SPACER D.55x8/4	
10	31211080	6	NUT M8	
11	58076752	3	STOPPER	
12	59076685	1	BATTERY SUPPORT	
13	59077933	1	SUPPORT	
14	31111218	2	SCREW TE M10X140 UNI 5737 8G	
15	F0843755000	2	WASHER 10	
16	59076870	1	COVER	
17	59077935	1	FIXING BRACKET	
18	F0862481000	2	SCREW M8x16 UNI 5933	
19	58070690	1	PIPE	
20	F0817500200	4	CLAMP 015,7-706R	
21	58074895	1	PIPE	
22	58171901	1	CABLE GLAND 15,5-24-32-2	
23	59076679	1	DIVISION	
24	F0862464050	2	SCREW UNI 5931	
25	F0825414000	2	CABLE GLAND 7-15-18,5-2,5	
26	59076686	1	BRACKET	
27	31112096	2	SCREW TE M6X85 UNI 5737 8G	
28	F0843570000	2	WASHER 6	
29	31111151	1	SCREW TE M8X16 UNI 5739 8G	
30	F0843643060	1	WASHER 8	
31	F0256808000	1	FLAT BAND	

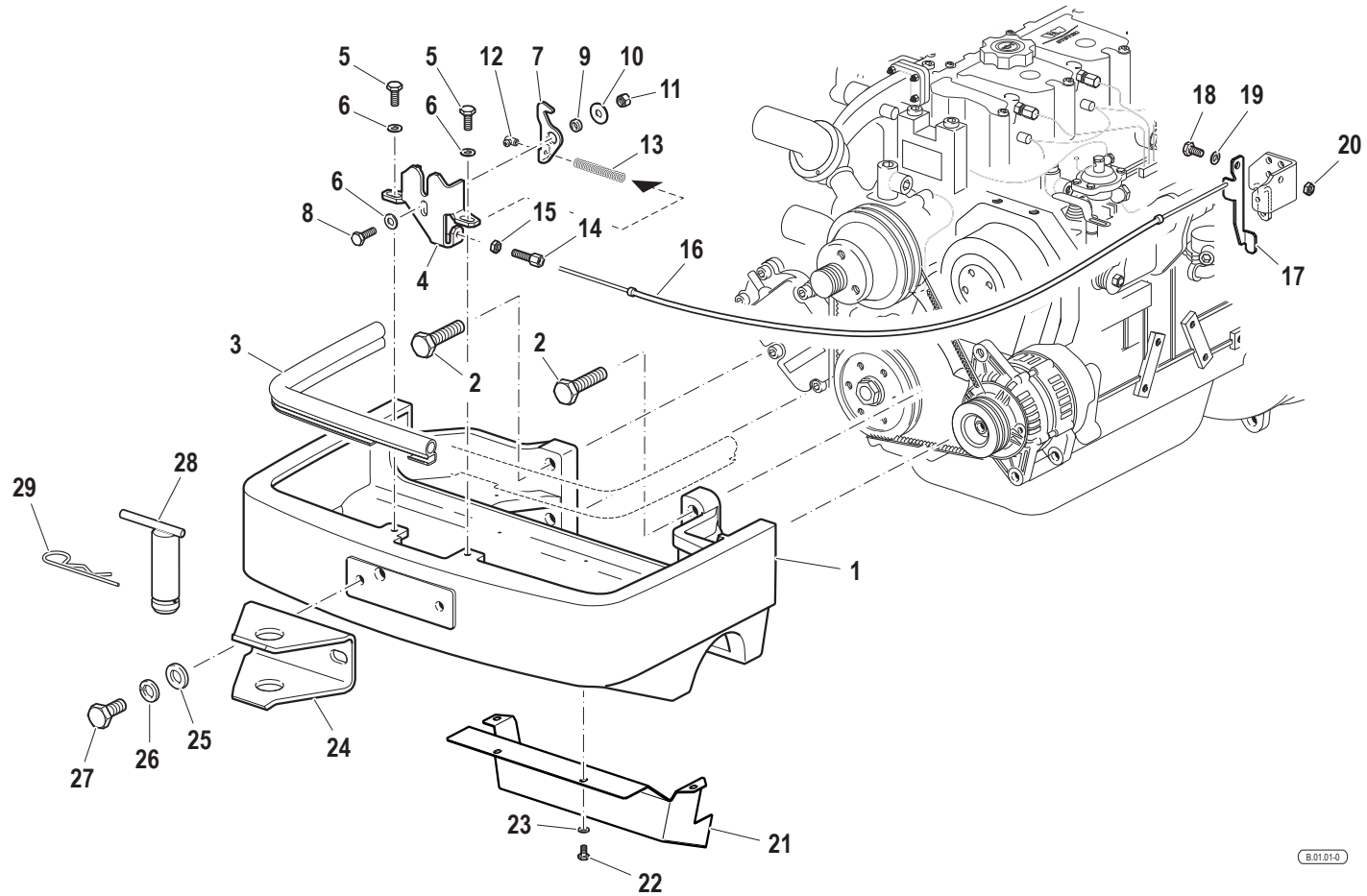
SERIAL

FUEL TANK

CODE REV

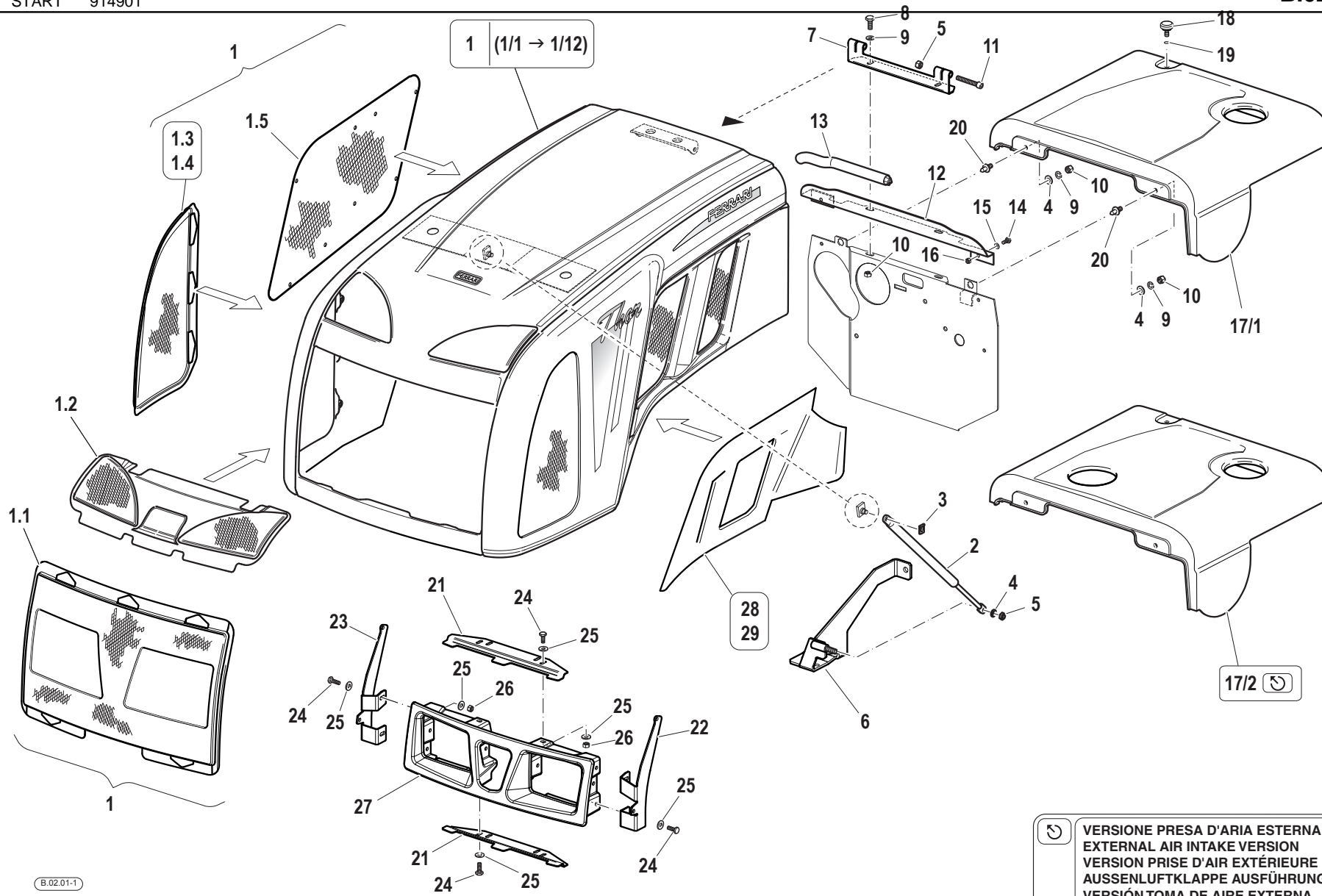
A.05.01_0_45829

FRONT SUPPORT



Pos.	Code	Q.ty	Description	Notes
1	51176714	1	FRONT SUPPORT	
2	31111331	4	SCREW TE M14X50 UNI5739 8G	
3	58177274	1	HOOD SEAL	
4	56174657	1	FIXING BRACKET	
5	31112150	2	SCREW TE M8X20 UNI 5739 8G	
6	31411084	3	WASHER 8,4x17	
7	56174658	1	HOOD HOOK	
8	31112151	1	SCREW TE M8X25 UNI 5739 8G	
9	56174659	1	SPACER	
10	31411090	1	WASHER 9x24	
11	31241080	1	HEXAGON SELFLOCK NUT M8	
12	58048002	1	CLAMPING SCREW	
13	F0831065000	1	SPRING	
14	56177656	1	REGISTER	
15	31231080	1	NUT M8	
16	58074831	1	CABLE	
17	56177643	1	LEVER	
18	31111151	1	SCREW TE M8X16 UNI 5739 8G	
19	F0843643060	1	WASHER 8	
20	F0814569000	1	NUT	
21	59076756	1	SHIELD	
22	31112082	12	SCREW TE M6X12 UNI 5739 8G	
23	F0843570000	12	WASHER 6	
24	56174873	1	TOW HOOK	
25	31112328	2	SCREW TE M14X35 UNI 5739	
26	F0843921030	2	WASHER 14	
27	31411150	2	WASHER 15x28	
28	59075283	1	PIN	
29	F0851497000	1	SPLIT PIN	

BONNET



VERSIONE PRESA D'ARIA ESTERNA
EXTERNAL AIR INTAKE VERSION
VERSION PRISE D'AIR EXTÉRIEURE
AUSSENLUFTKLAPPE AUSFÜHRUNG
VERSIÓN TOMA DE AIRE EXTERNA

Pos.	Code	Q.ty	Description	Notes
1.1	56079442	1	FRONT GRILL	
1/1	59900975	1	COMPLETE HOOD	
1/10	59900985	1	COMPLETE HOOD	
1/11	59900980	1	COMPLETE HOOD	
1/12	59900986	1	COMPLETE HOOD	
1/2	59900981	1	COMPLETE HOOD	
1.2	56076933	1	FRONT GRILL	
1.3	56076928	1	FRONT GRILL	
1/3	59900976	1	COMPLETE HOOD	
1/4	59900982	1	COMPLETE HOOD	
1.4	56076929	1	FRONT GRILL	
1.5	56076930	1	GRILLE	
1/5	59900977	1	COMPLETE HOOD	
1/6	59900983	1	COMPLETE HOOD	
1/7	59900978	1	COMPLETE HOOD	
1/8	59900984	1	COMPLETE HOOD	
1/9	59900979	1	COMPLETE HOOD	
2	58092972	1	SPRING	
3	58170436	1	CLIP	
4	31411084	6	WASHER 8,4x17	
5	F0814585000	3	SELFLOCK NUT	
6	59076686	1	BRACKET	
7	56179549	1	PROTECTIVE YOKE	
8	31112150	2	SCREW TE M8X20 UNI 5739 8G	
9	F0843643060	6	WASHER 8	
10	31211080	6	NUT M8	
11	31152088	2	SCREW TCEI M8X55 UNI 5931	
12	56174656	1	HOLDING	
13	P000000260007	1	GASKET	
14	31111091	2	SCREW E M6X14 UNI 5739 8G	
15	F0843570000	2	WASHER 6	
16	31211060	2	HEXAGONAL NUT M8	
17/1	57376670	1	COVER	
17/2	57376899	1	COVER	

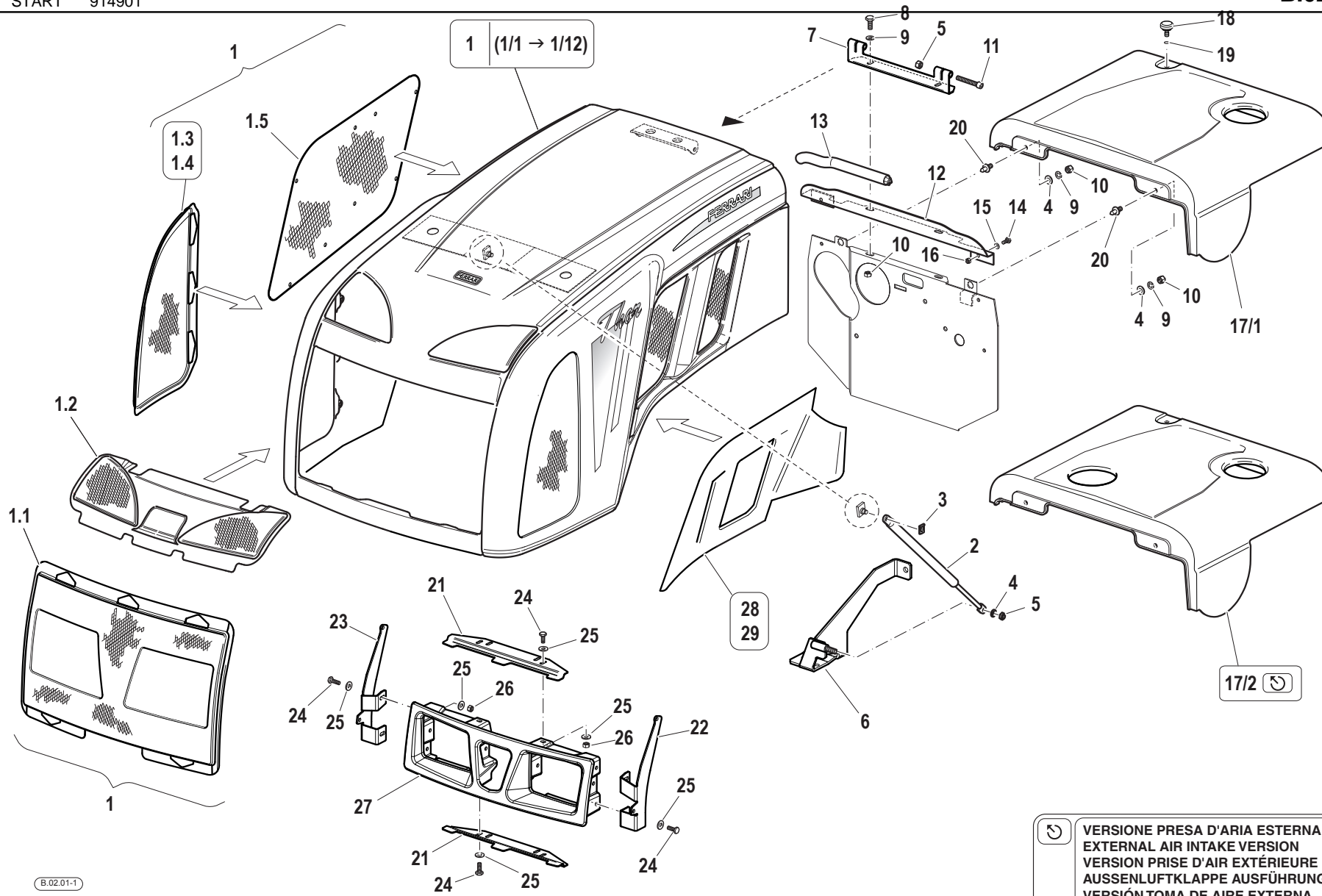
SERIAL
START
914901

BONNET

CODE REV

B.02.01_1_47161

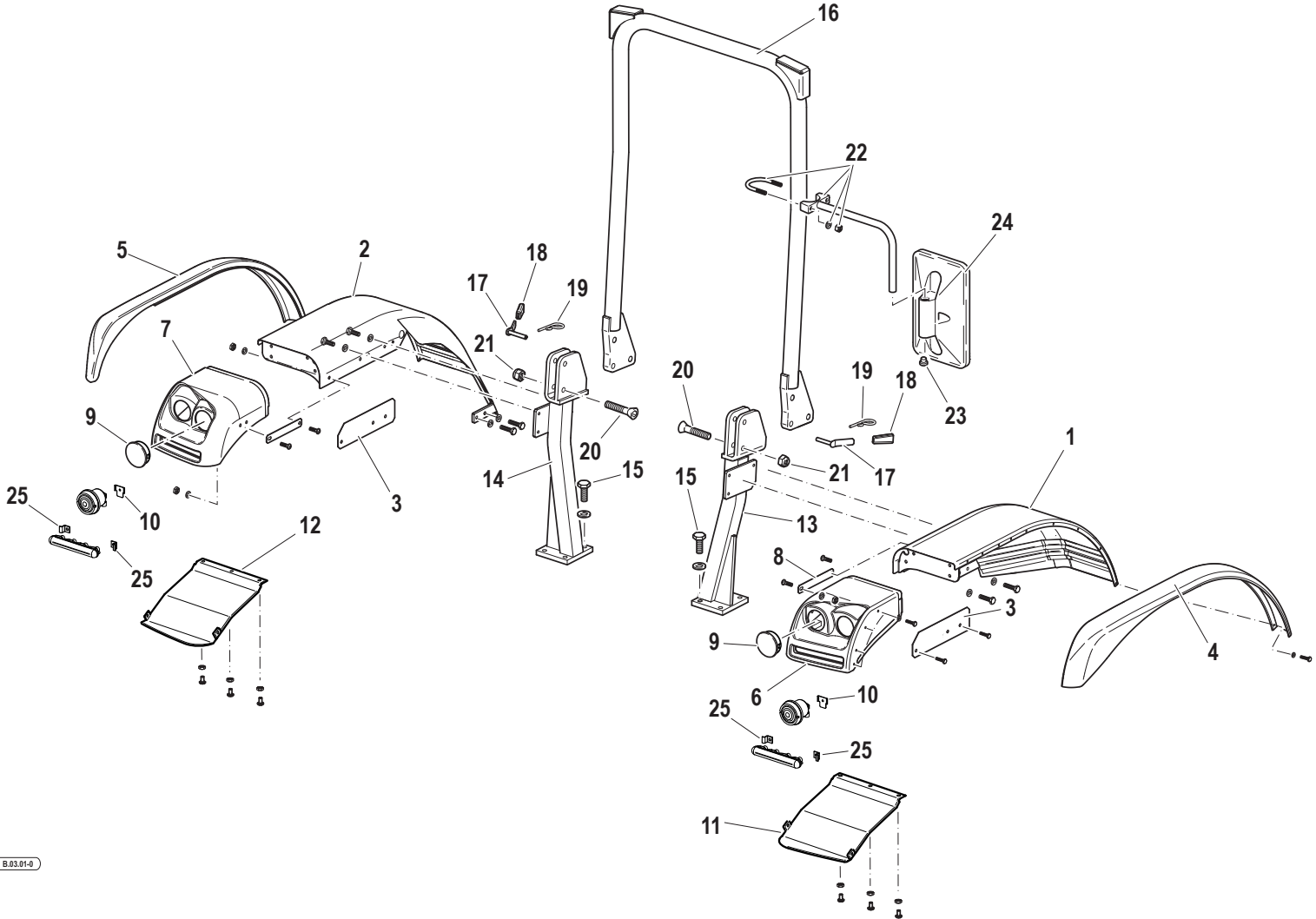
BONNET



↻
VERSIONE PRESA D'ARIA ESTERNA
EXTERNAL AIR INTAKE VERSION
VERSION PRISE D'AIR EXTÉRIEURE
AUSSENLUFTKLAPPE AUSFÜHRUNG
VERSIÓN TOMA DE AIRE EXTERNA

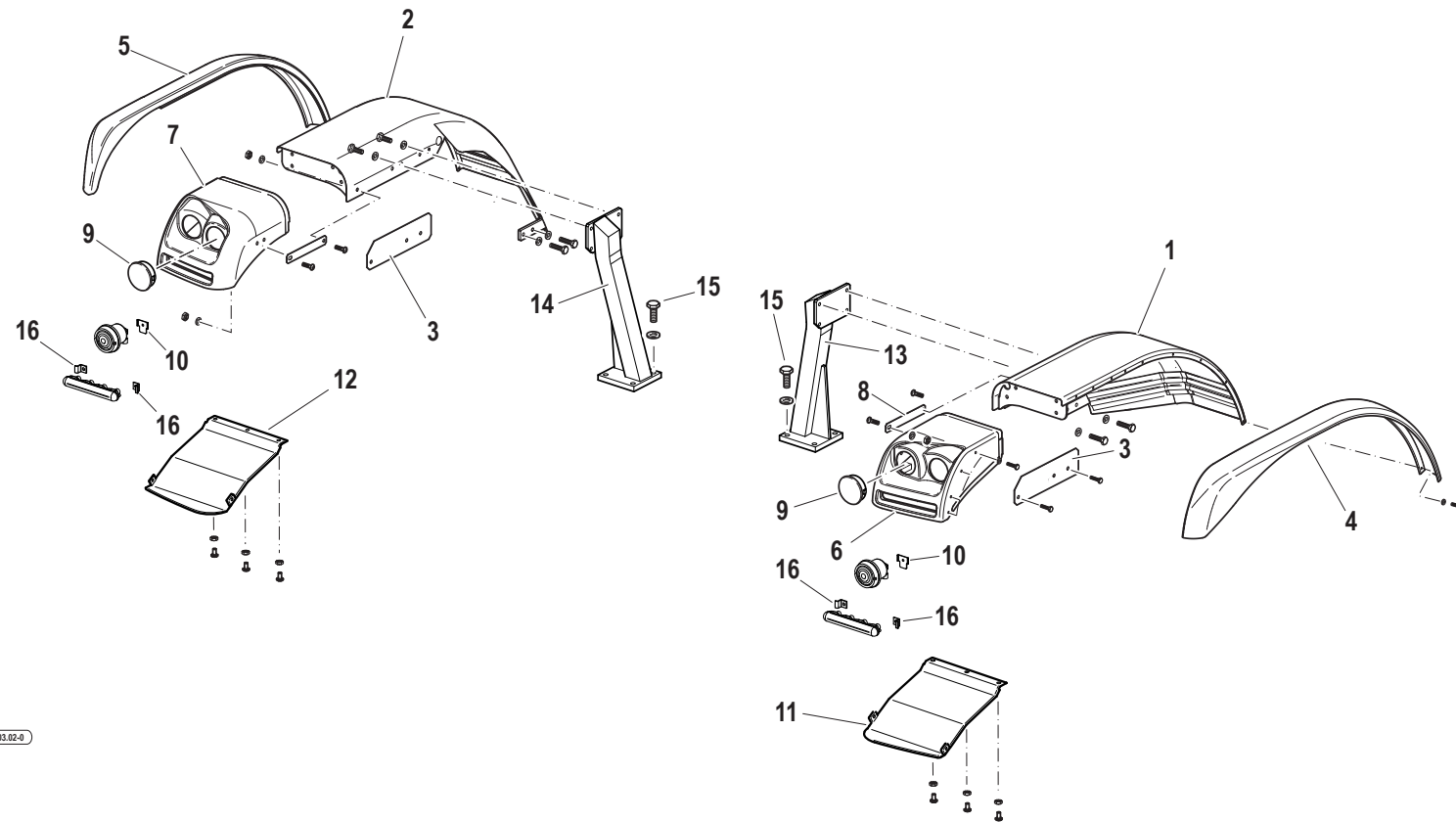
Pos.	Code	Q.ty	Description	Notes
18	56174835	1	KNOB	
19	35211060	1	SEEGER RING	
20	59074662	6	PIN	
21	56179447	2	SUPPORTING YOKE	
22	56179443	1	FIXING BRACKET	
23	56179444	1	BRACKET	
24	31112093	8	SCREW TE M6X20	
25	31411066	16	WASHER 6,6x18	
26	F0814547000	8	SELFLOCK NUT M6	
27	57379438	1	FRONT GRILLE	
28	58076984V	1	FIANCHETTO DX VERDE 75-95 **	
29	58076987V	1	FIANCHETTO SX VERDE 75-95 **	

FRONT MUDGUARDS

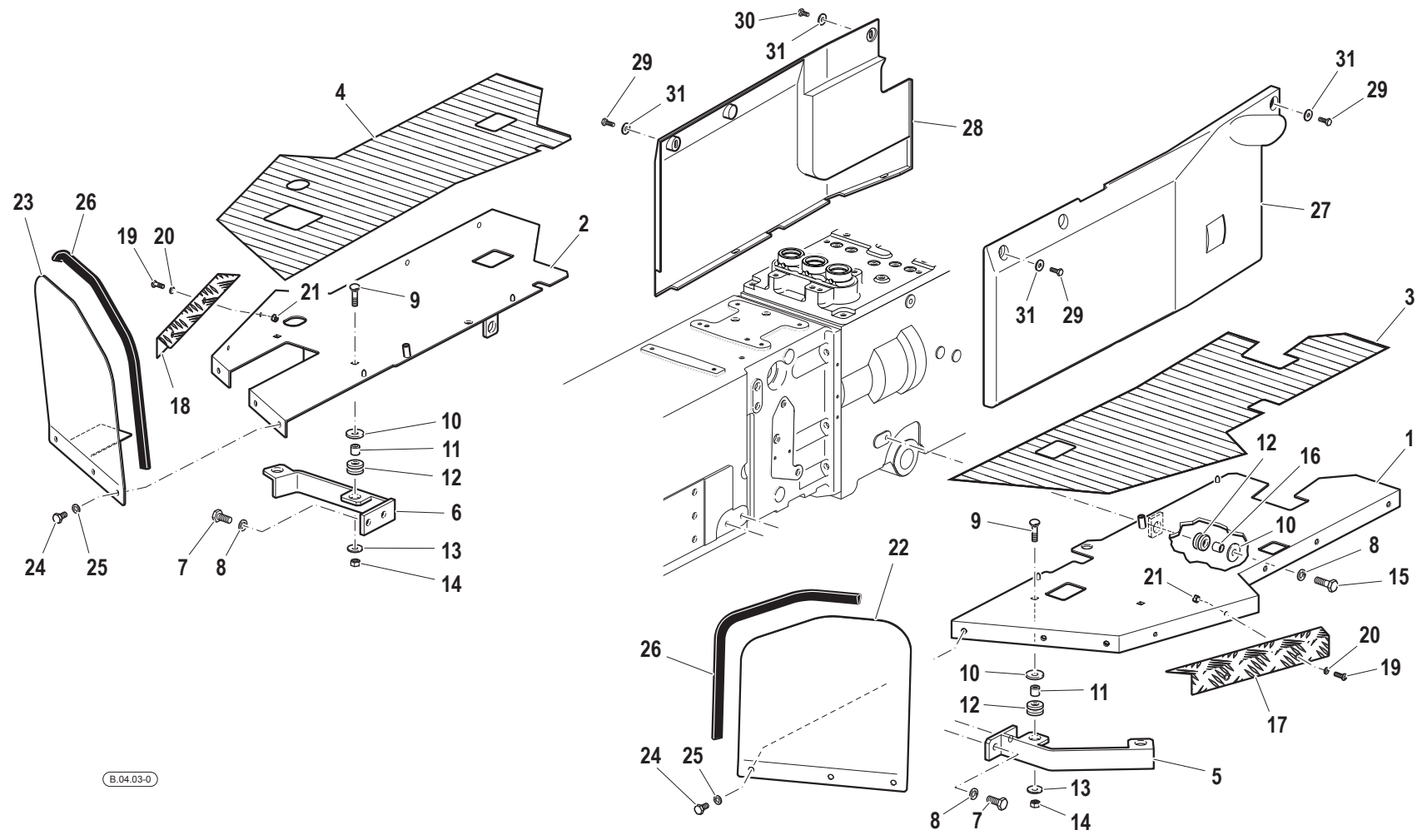


Pos.	Code	Q.ty	Description	Notes
1	59076649V	1	LEFT FRONT FENDER	
2	59076653V	1	RIGHT FRONT FENDER	
3	56177256	2	GUARD	
4	57376677	1	WING EXTENSION	
5	57376678	1	WING EXTENSION	
6	57376621	1	SUPPORT	
7	57376622	1	SUPPORT	
8	56177326	2	RETAINER	
9	58179414	2	PLUG	
10	56179445	1	FIXING PLATE	
11	56176906	1	COVER	
12	56176905	1	COVER	
13	59076615	1	SUPPORT	
14	59076613	1	SUPPORT	
15	31112264	8	SCREW TE M12X35 UNI 5739	
16	59077412	1	SAFETY ROLL BAR	
17	59076690	2	HINGE PIN	
18	P917280000000	2	GRIP	
19	P439149000000	2	SPLIT PIN	
20	F0864377000	2	SCREW M16X70 UNI 5737	
21	F0814794000	2	SELFLOCK NUT M16 CL.6	
22	59070591	1	SUPPORT	
23	58170968	1	PLUG	
24	30000514	1	REAR VIEW MIRROR	
25	56177045	8	RETAINER	

FRONT MUDGUARDS (VERSION WITH CAB)

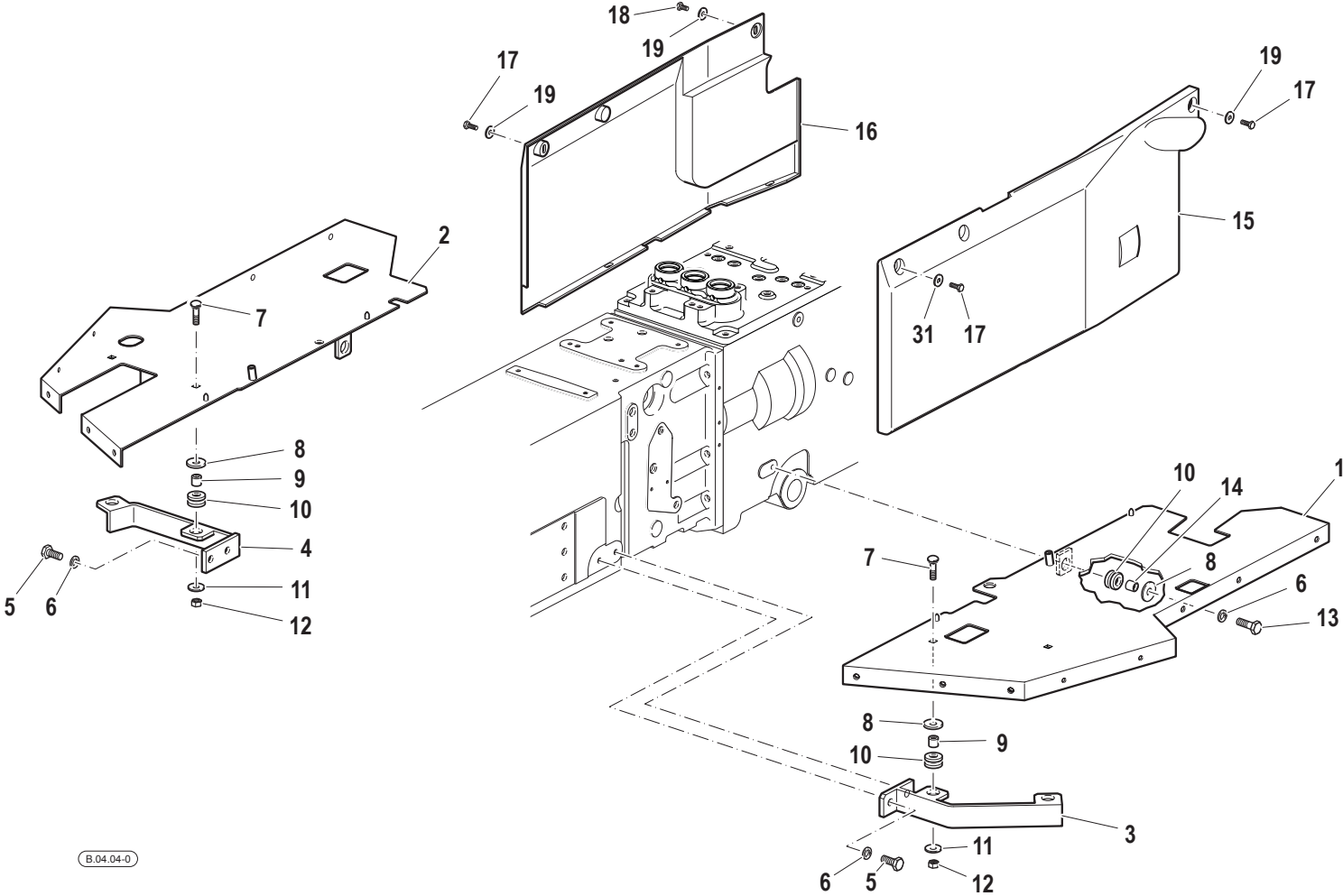


Pos.	Code	Q.ty	Description	Notes
1	59076649V	1	LEFT FRONT FENDER	
2	59076653V	1	RIGHT FRONT FENDER	
3	56177256	2	GUARD	
4	57376677	1	WING EXTENSION	
5	57376678	1	WING EXTENSION	
6	57376621	1	SUPPORT	
7	57376622	1	SUPPORT	
8	56177326	2	RETAINER	
9	58179414	2	PLUG	
10	56179445	1	FIXING PLATE	
11	56176906	1	COVER	
12	56176905	1	COVER	
13	59077057	1	WING HOLDER	
14	59077058	1	WING HOLDER	
15	31112264	8	SCREW TE M12X35 UNI 5739	
16	56177045	8	RETAINER	



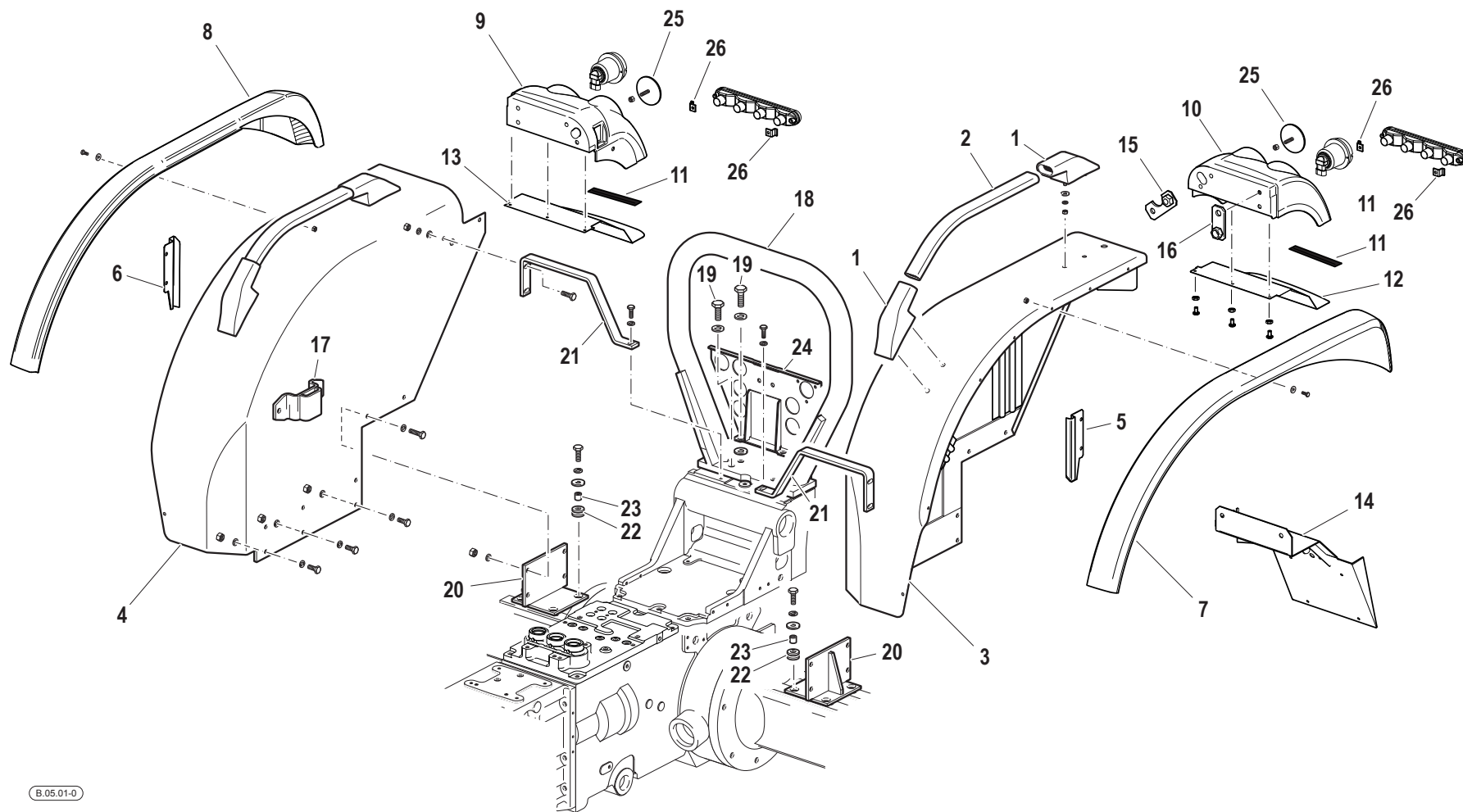
B.04.03-0

Pos.	Code	Q.ty	Description	Notes
1	59074597	1	LEFT FOOTBOARD	
2	59074596	1	RIGHT FOOTBOARD	
3	57374591	1	FOOTREST COVER	
4	57374590	1	FOOTREST COVER	
5	59074351	1	SUPPORT	
6	59073674	1	SUPPORT	
7	31112219	4	SCREW TE M10X25 UNI 5739	
8	F0843755000	6	WASHER 10	
9	31122804	4	SCREW	
10	F0843818000	6	WASHER	
11	56171996	4	SPACER	
12	55175174	6	BLOCK	
13	31411090	4	WASHER 9x24	
14	31211080	4	NUT M8	
15	31112211	2	SCREW TE M10X30 UNI 5739	
16	56171954	2	SPACER	
17	57275032	1	ANGULAR	
18	57275033	1	ANGULAR	
19	F0862479035	4	SCREW	
20	F0843570000	4	WASHER 6	
21	31211060	4	HEXAGONAL NUT M8	
22	56174527	1	FOOTBOARD PROTECTION	
23	59074782	1	FOOTBOARD PROTECTION	
24	31112149	6	SCREW TE M8X12 UNI 5739 8G	
25	F0843643060	6	WASHER 8	
26	F0256808000	1	FLAT BAND	
27	57374533	1	GUARD	
28	57374536	1	GUARD	
29	F0862479035	3	SCREW	
30	F0862479034	1	SCREW M6X12 7380	
31	31411066	4	WASHER 6,6x18	

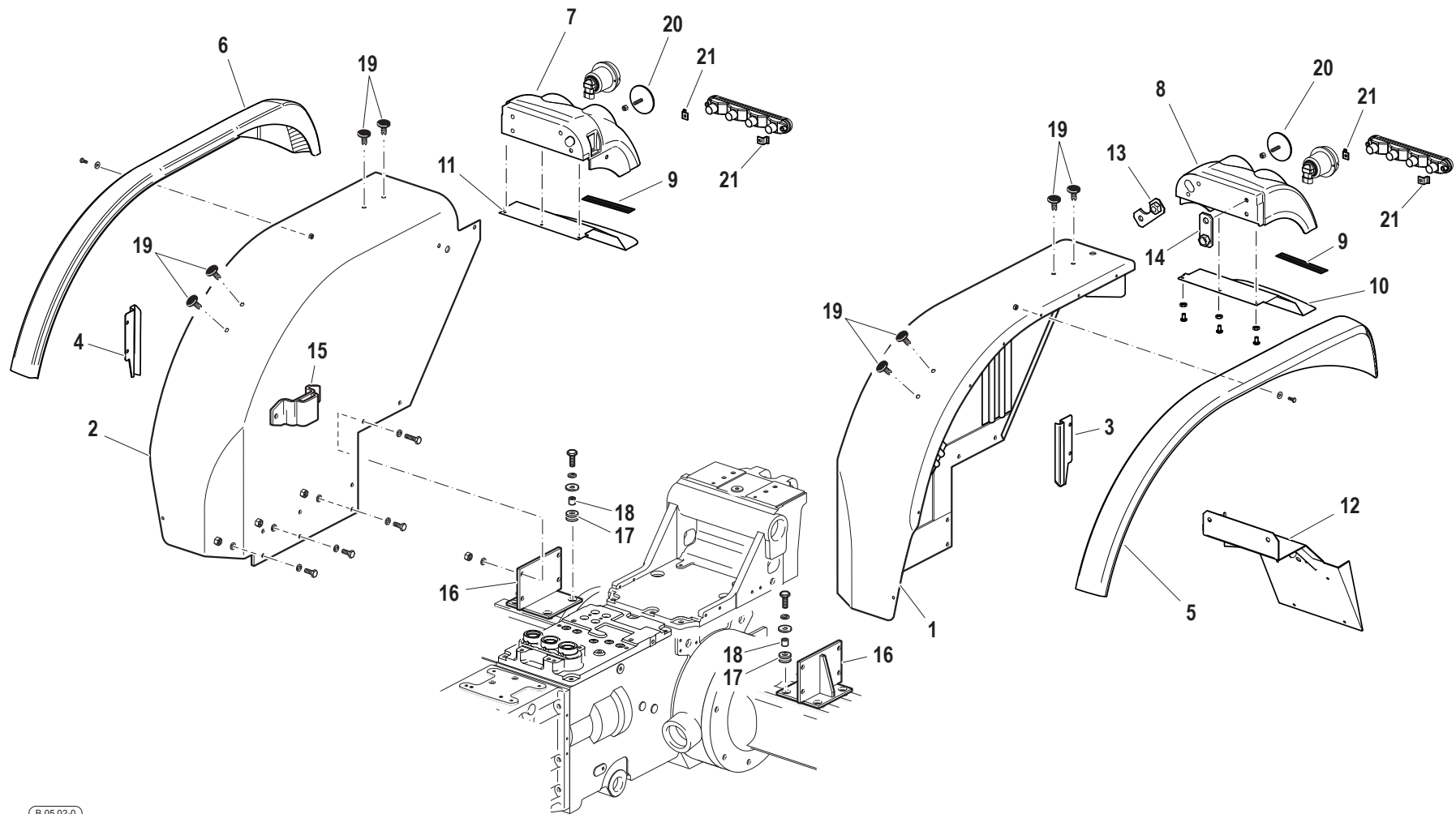


B.04.04-0

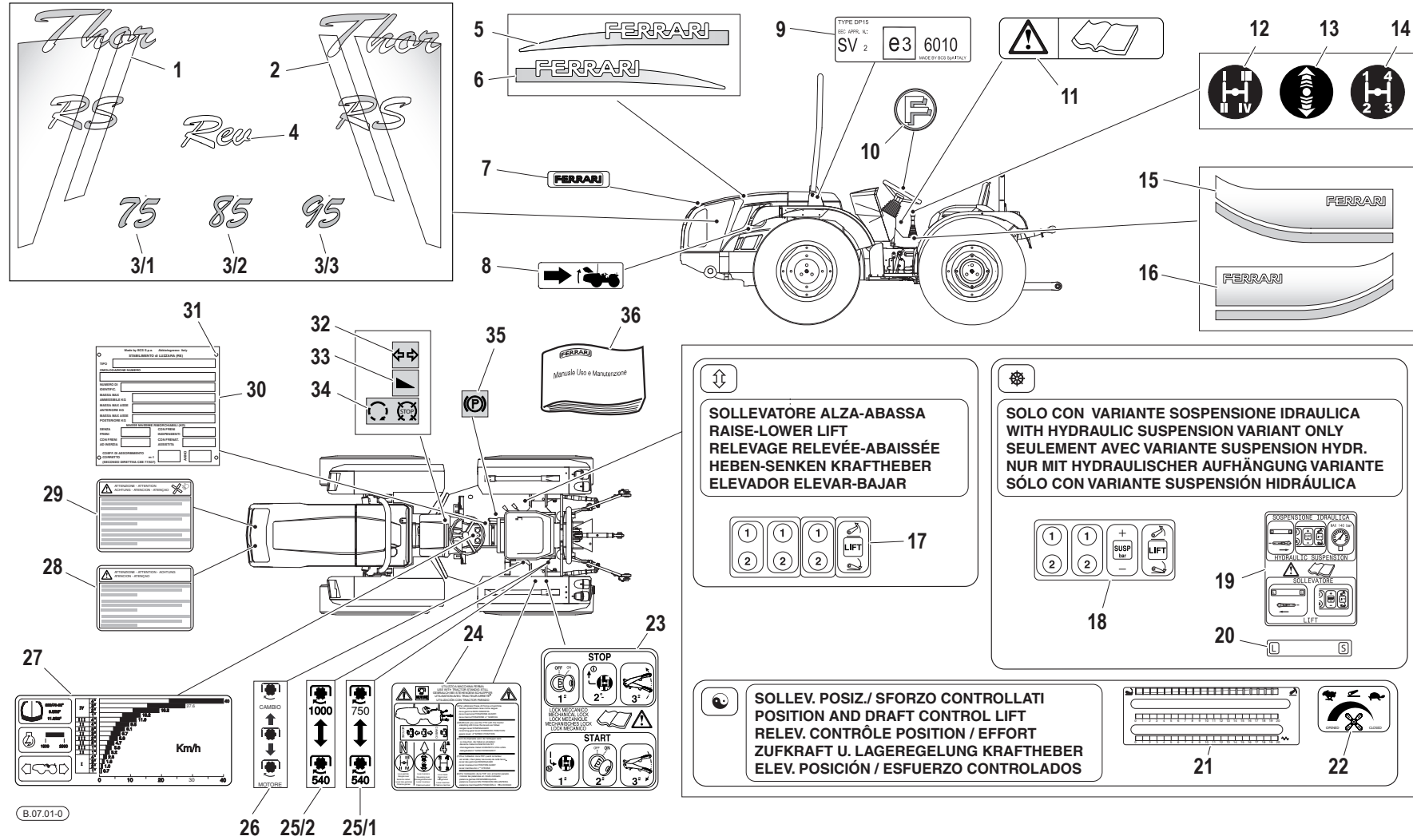
Pos.	Code	Q.ty	Description	Notes
1	59074597	1	LEFT FOOTBOARD	
2	59074596	1	RIGHT FOOTBOARD	
3	59074351	1	SUPPORT	
4	59073674	1	SUPPORT	
5	31112219	4	SCREW TE M10X25 UNI 5739	
6	F0843755000	6	WASHER 10	
7	31122804	4	SCREW	
8	F0843818000	6	WASHER	
9	56171996	4	SPACER	
10	55175174	6	BLOCK	
11	31411090	4	WASHER 9x24	
12	31211080	4	NUT M8	
13	31112211	2	SCREW TE M10X30 UNI 5739	
14	56171954	2	SPACER	
15	57374533	1	GUARD	
16	57374536	1	GUARD	
17	F0862479035	3	SCREW	
18	F0862479034	1	SCREW M6X12 7380	
19	31411066	4	WASHER 6,6x18	



Pos.	Code	Q.ty	Description	Notes
1	55072935	4	SUPPORT	
2	56177252	2	MUDGUARD HANDLE	
3	59077455V	1	LEFT REAR FENDER	
4	59077463V	1	RIGHT REAR FENDER	
5	56177443	1	GUARD	
6	56177444	1	GUARD	
7	57376671	1	WING EXTENSION	
8	57376672	1	WING EXTENSION	
9	57376623	1	SUPPORT	
10	57376624	1	SUPPORT	
11	F0256910010	1	CELL FOAM PROFILE 10X15	
12	56176908	1	COVER	
13	56176907	1	COVER	
14	59076780	1	LICENCE PLATE HOLD	
15	56177264	1	RETAINING PLATE	
16	56177265	1	RETAINING PLATE	
17	59070592	1	LEVER BEARING	
18	59077359	1	SAFETY ROLL BAR	
19	31112801	4	SCREW M14x1,5x40 U/5740	
20	59074385	2	FIXING BRACKET	
21	56174582	2	WING HOLDER	
22	55175174	8	BLOCK	
23	56171954	8	SPACER	
24	59071966	1	CONNECTION	
25	58177330	2	REFLECTOR	
26	56177045	8	RETAINER	

REAR MUDGUARDS (VERSION WITH CAB)

Pos.	Code	Q.ty	Description	Notes
1	59077455V	1	LEFT REAR FENDER	
2	59077463V	1	RIGHT REAR FENDER	
3	56177443	1	GUARD	
4	56177444	1	GUARD	
5	57376671	1	WING EXTENSION	
6	57376672	1	WING EXTENSION	
7	57376623	1	SUPPORT	
8	57376624	1	SUPPORT	
9	F0256910010	1	CELL FOAM PROFILE 10X15	
10	56176908	1	COVER	
11	56176907	1	COVER	
12	59076780	1	LICENCE PLATE HOLD	
13	56177264	1	RETAINING PLATE	
14	56177265	1	RETAINING PLATE	
15	59070592	1	LEVER BEARING	
16	59074385	2	FIXING BRACKET	
17	55175174	8	BLOCK	
18	56171954	8	SPACER	
19	30040095	8	PLUG D.8,5/14	
20	58177330	2	REFLECTOR	
21	56177045	8	RETAINER	



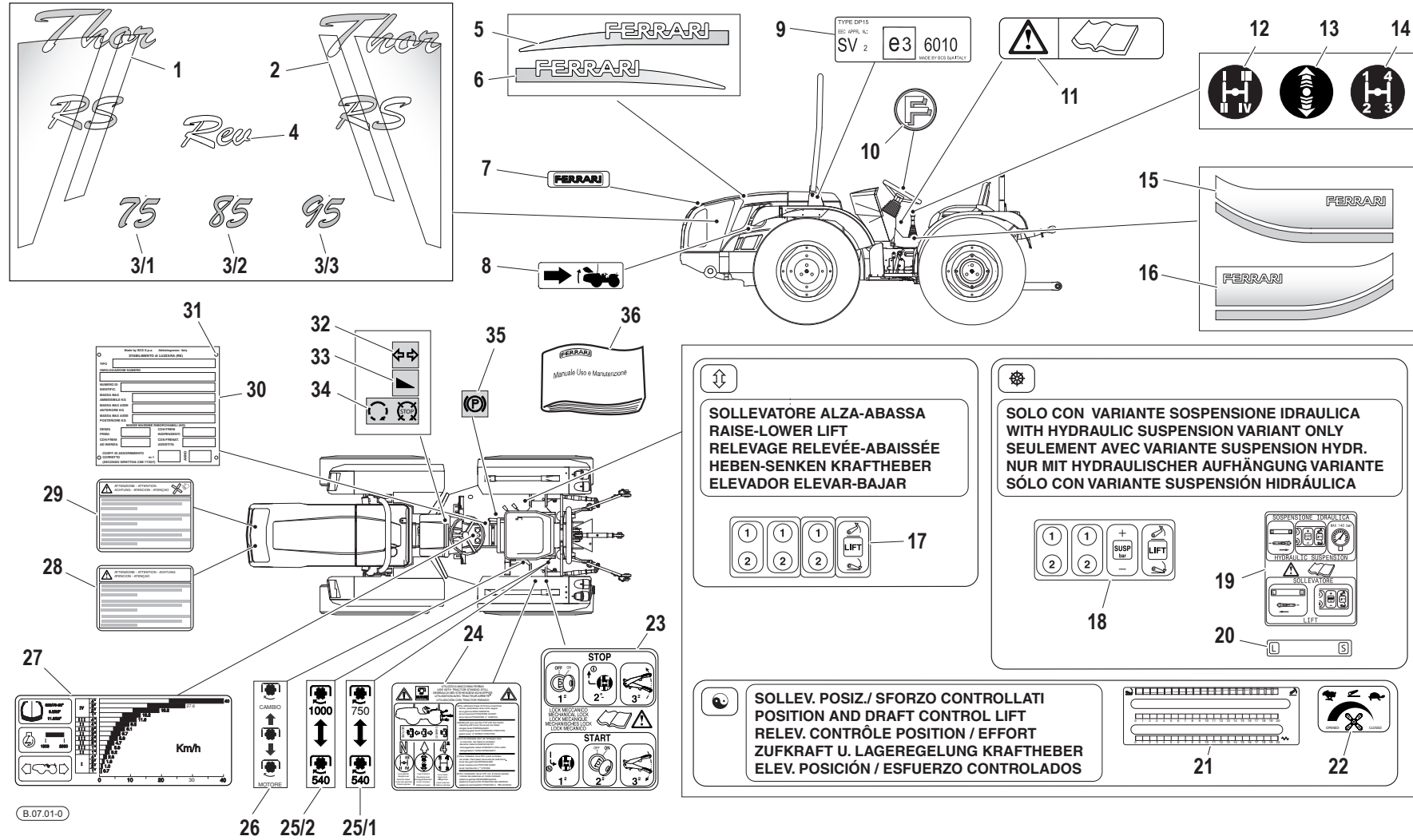
Pos.	Code	Q.ty	Description	Notes
1	58074794	1	DECAL	
2	58074795	1	DECAL	
3/1	58077581	2	DECAL	
3/2	58077580	2	DECAL	
3/3	58077579	2	DECAL	
4	58074791	2	DECAL	
5	58074786	1	DECAL	
6	58074787	1	DECAL	
7	58079466	1	DECAL	
8	58074841	1	DECAL	
9	58077619	1	PLATE	
10	58074777	1	DECAL	
11	58074880	1	PLATE	
12	58074221	1	DECAL	
13	58074220	1	DECAL	
14	58074222	1	DECAL	
15	58074839	1	DECAL	
16	58074846	1	DECAL	
17	58075022	1	PLATE	
18	58075024	1	PLATE	
19	58075521	1	DECAL	
20	58075522	1	DECAL	
21	58075152	1	DECAL	
22	58075250	1	DECAL	
23	58075021	1	DECAL	
24	58076077	1	DECAL	
25/1	58072518	1	PLATE	
25/2	58072574	1	PLATE	
26	58072575	1	PLATE	
27	58077654	1	PLATE	
28	58173772	1	PLATE	
29	58173773	1	PLATE	
30	58072737	1	PLATE	
31	F0808518050	4	RIVET 3,5x6,5	

SERIAL

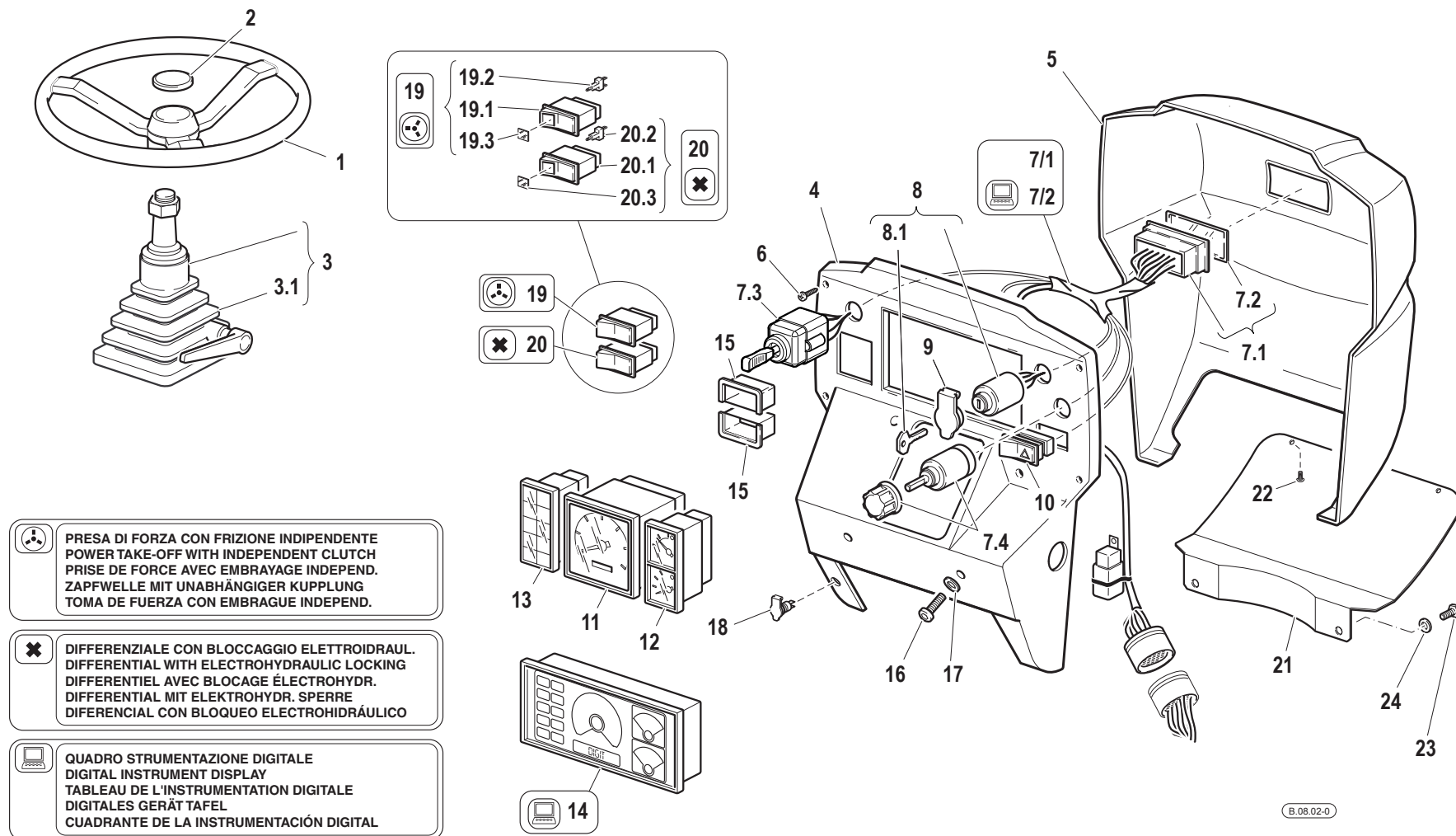
PLATES AND STICKERS

CODE REV

B.07.01_0_42552



Pos.	Code	Q.ty	Description	Notes
32	58072509	1	INSTRUCTION PLATE	
33	58072517	1	INSTRUCTION PLATE	
34	58072511	1	INSTRUCTION PLATE	
35	58072510	1	INSTRUCTION PLATE	
36	F0907170150	1	TECHN. MANUAL THOR	



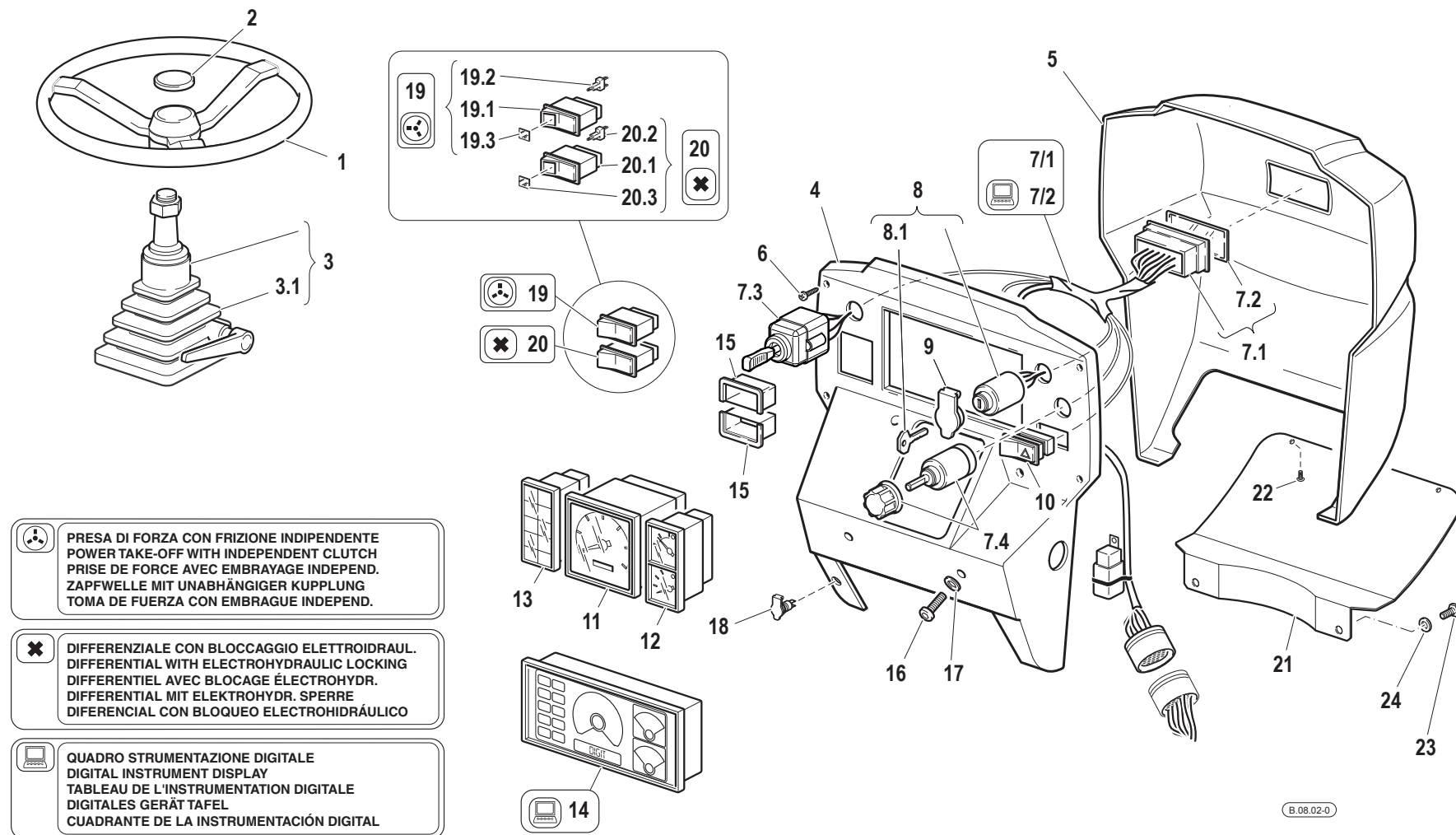
Pos.	Code	Q.ty	Description	Notes
1	F0865040000	1	STEERING WHEEL	
2	F0865040020	1	PLUG	
3	F0865474000	1	UNIT	
3.1	F0865474005	1	BELLOWS	
4	55274441	1	INSTRUMENT PANEL	
5	55271644	1	INSTRUMENT PANEL	
6	31510053	6	RIBBED SCREW TC 4,8X32	
7/1	58077601	1	CABLE	
7.1	58170453	1	FUSE BOX	
7.2	58172267	1	COVER	
7/2	58077602	1	CABLE	
7.3	F0825436000	1	SWITCH	
7.4	F0825436003	1	SWITCH	
8	30000614	1	PANEL	
8.1	F0825500220	1	KEY	
9	F0825400060	1	COVER	
10	F0825115010	1	PUSH-BUTTON	
11	58177867	1	TRACTOR METER	
12	58175769	1	DIGITAL INSTRUMENT	
13	58175770	1	WARNING LIGHT HOLDER	
14	58174928	1	INSTRUMENT	
15	58170376	2	TERMINAL FOR SWITCH	
16	F0862479020	4	SCREW M8X16 7380	
17	31411084	4	WASHER 8,4x17	
18	F0825403050	1	SOCKET	
19	58170344	1	CHANGE-OVER SWITCH	
19.1	58173116	2	CHANGE-OVER SWITCH	
19.2	58173119	2	PILOT LIGHT 12V	
19.3	58173120	1	GLASS	
20	58170345	1	CHANGE-OVER SWITCH	
20.1	58173116	2	CHANGE-OVER SWITCH	
20.2	58173119	2	PILOT LIGHT 12V	
20.3	58173121	1	GLASS	
21	57374553	1	COVER	

SERIAL

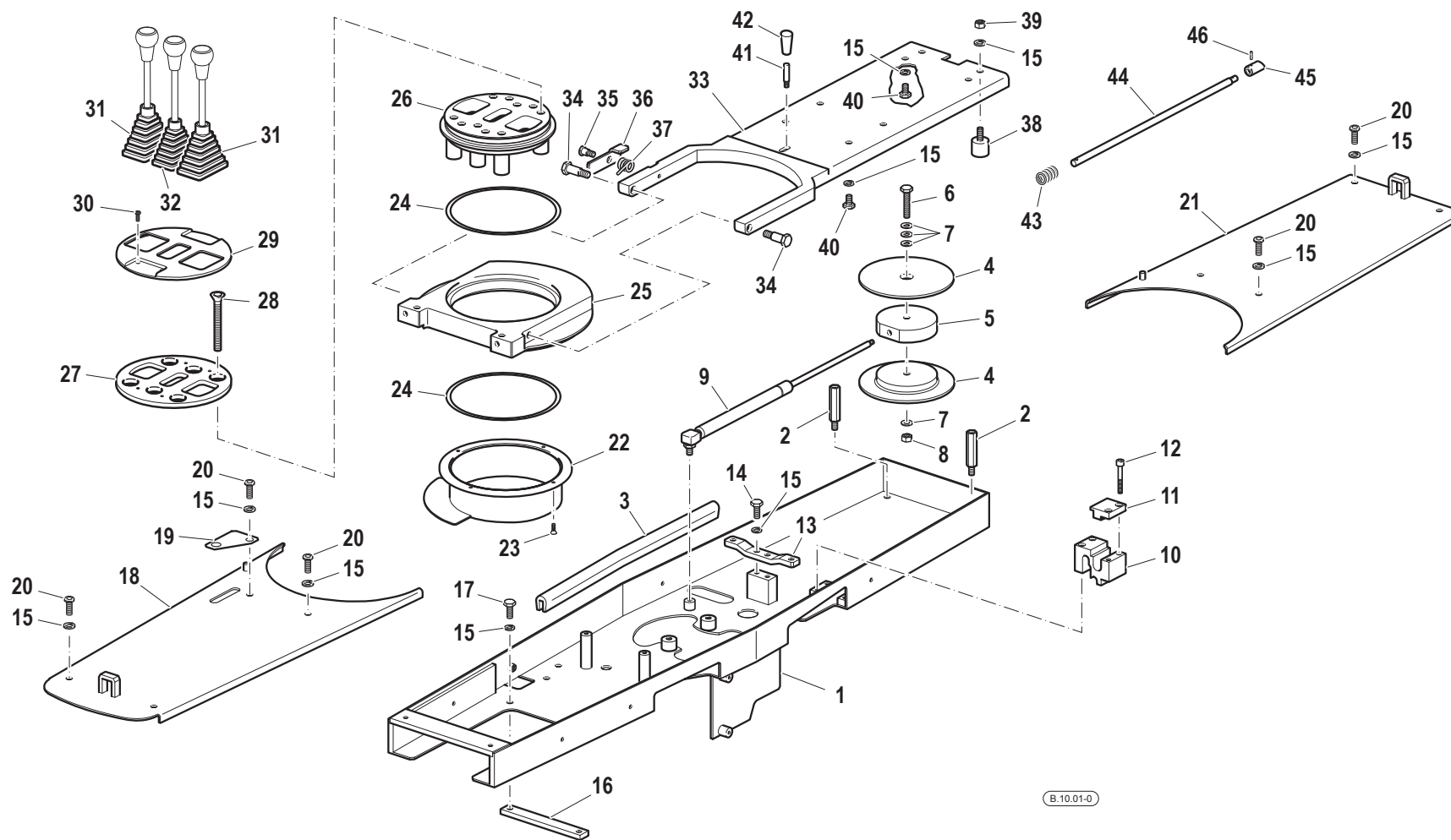
DASHBOARD

CODE REV

B.08.02_0_38771



Pos.	Code	Q.ty	Description	Notes
22	F0861867001	3	SCREW M4,2X16 DIN 7981	
23	31112149	2	SCREW TE M8X12 UNI 5739 8G	
24	31411084	2	WASHER 8,4x17	



Pos.	Code	Q.ty	Description	Notes
1	59074468	1	BOX	
2	56174492	2	PIN	
3	F0256809010	1	GASKET	
4	57374490	2	PULLEY	
5	57374491	1	PULLEY	
6	F0862875000	1	SCREW M8X1,25/45 UNI5739	
7	31411084	4	WASHER 8,4x17	
8	F0814585000	1	SELFLOCK NUT	
9	58174555	1	SPRING	
10	56174464	1	SMALL BLOCK	
11	56174773	1	COVER	
12	31152066	4	SCREW TCEI M6X45 UNI 5931	
13	56174486	1	RETAINER	
14	31112146	2	SCREW TE M8X22 UNI 5739 8G	
15	F0843643060	16	WASHER 8	
16	56174730	1	PLATE	
17	31112151	2	SCREW TE M8X25 UNI 5739 8G	
18	59074531V	1	COP.ANT.CONT.TUBI(74531)VERDE	
19	56174499	1	COVER	
20	F0862479020	8	SCREW M8X16 7380	
21	59074477V	1	COP.POST.C.TUBI(74477)VERDE	
22	59074403	1	FLANGE	
23	31132440	4	SCREW TSVEI M4X10 UNI 5933	
24	57374545	2	GASKET	
25	51174524V	1	ROTATING TOWER (74524)GREEN **	
26	51274388	1	SUPPORT	
27	51274498	1	FLANGE	
28	F0863586000	6	SCREW M10X80 DIN 7991	
29	57374501	1	COVER	
30	F0861928050	4	SCREW M5X12 ISO 7380	
31	55174163	2	BELLOWS	
32	55174162	1	BELLOWS	
33	59074525V	1	SUPP.SEDILE(59074525F)VERDE	
34	56274487	2	SPECIAL SCREW	

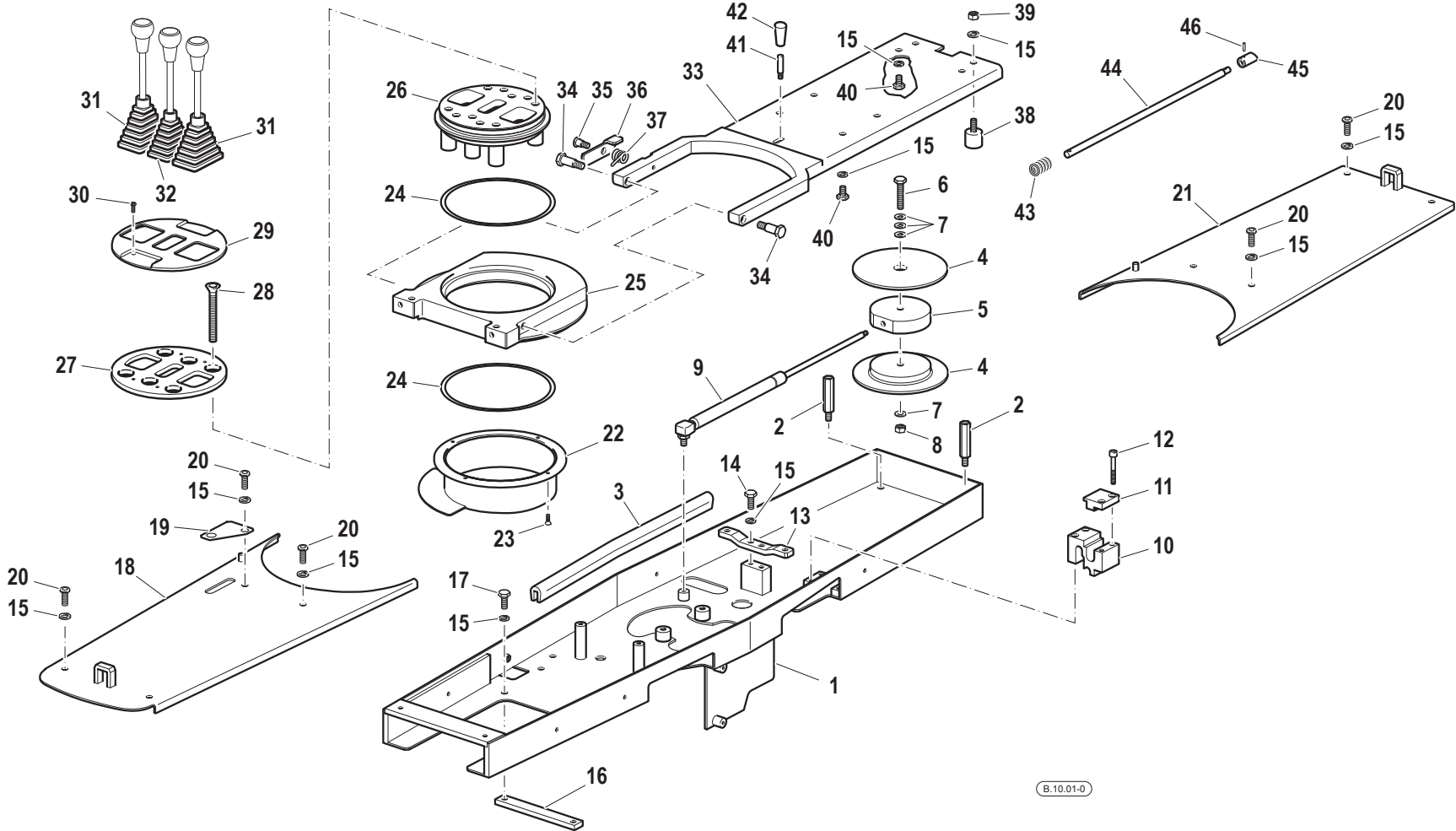
SERIAL

SEAT SUPPORT / GEAR LEVERS COVER

CODE REV

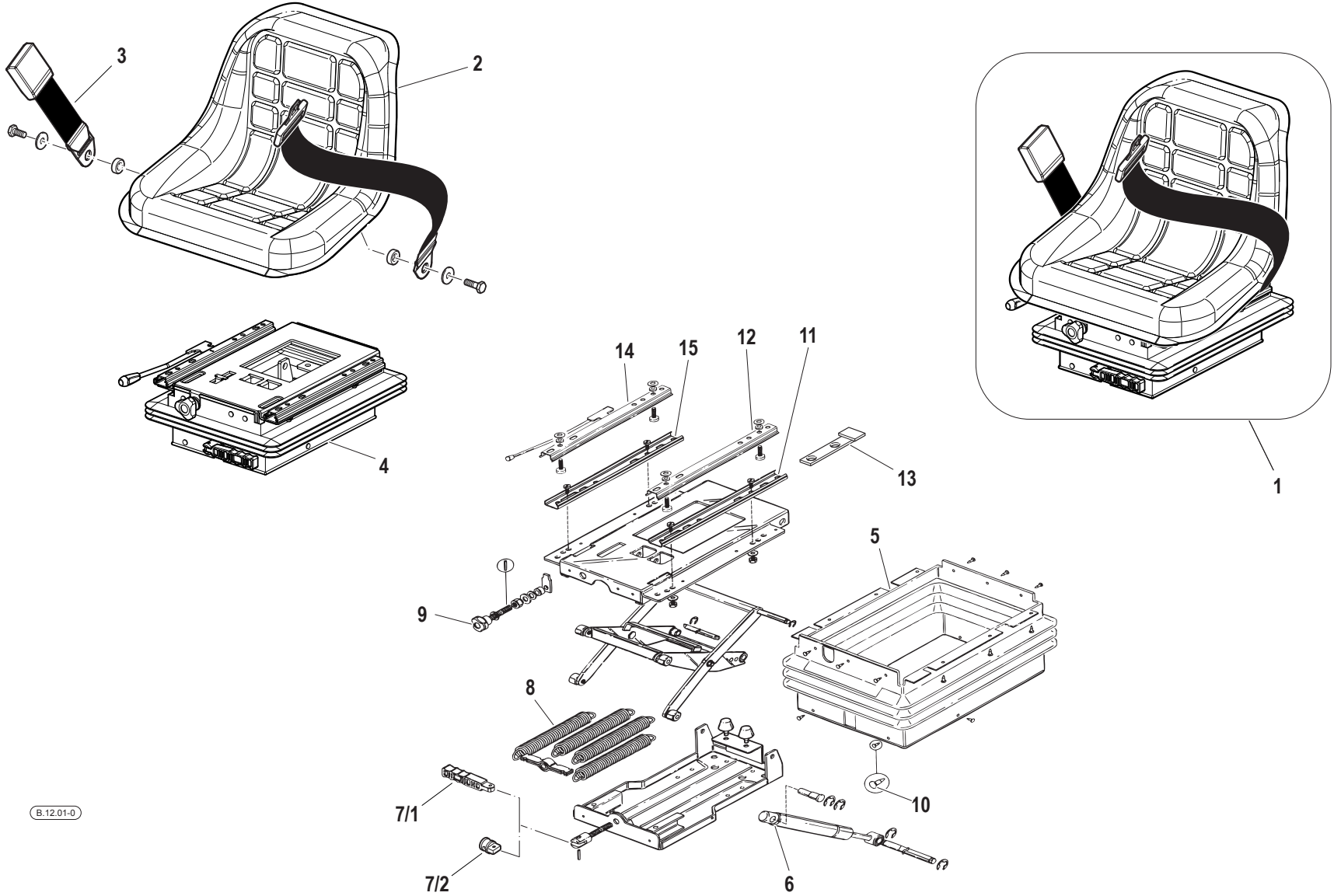
B.10.01_0_38824

SEAT SUPPORT / GEAR LEVERS COVER



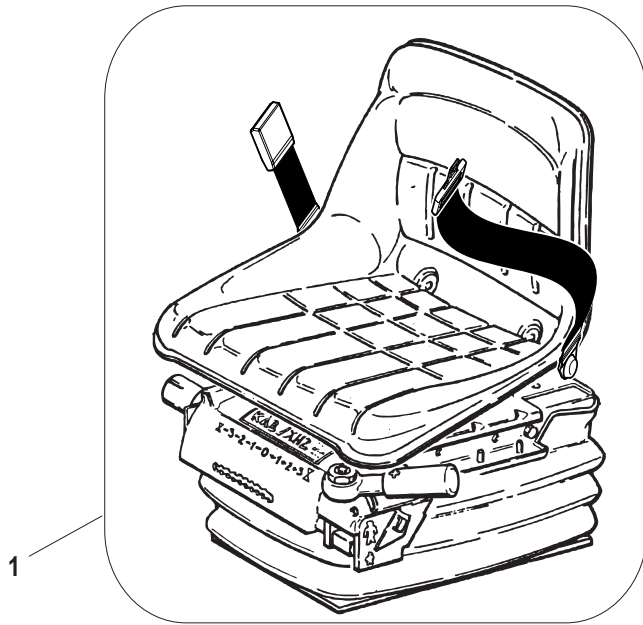
Pos.	Code	Q.ty	Description	Notes
35	56375436	1	HINGE PIN	
36	56174462	1	RETAINING PLATE	
37	58074488	1	SPRING	
38	58174644	2	SILENT-BLOCK	
39	31211080	2	NUT M8	
40	31111151	4	SCREW TE M8X16 UNI 5739 8G	
41	56174461	1	PIN	
42	F0837521000	1	GRIP	
43	58070390	1	SEAT SPRINGS	
44	56174463	1	ROD	
45	56374460	1	LOCKING BOLT	
46	34213018	1	ROLL PIN	

SEAT (STANDARD)

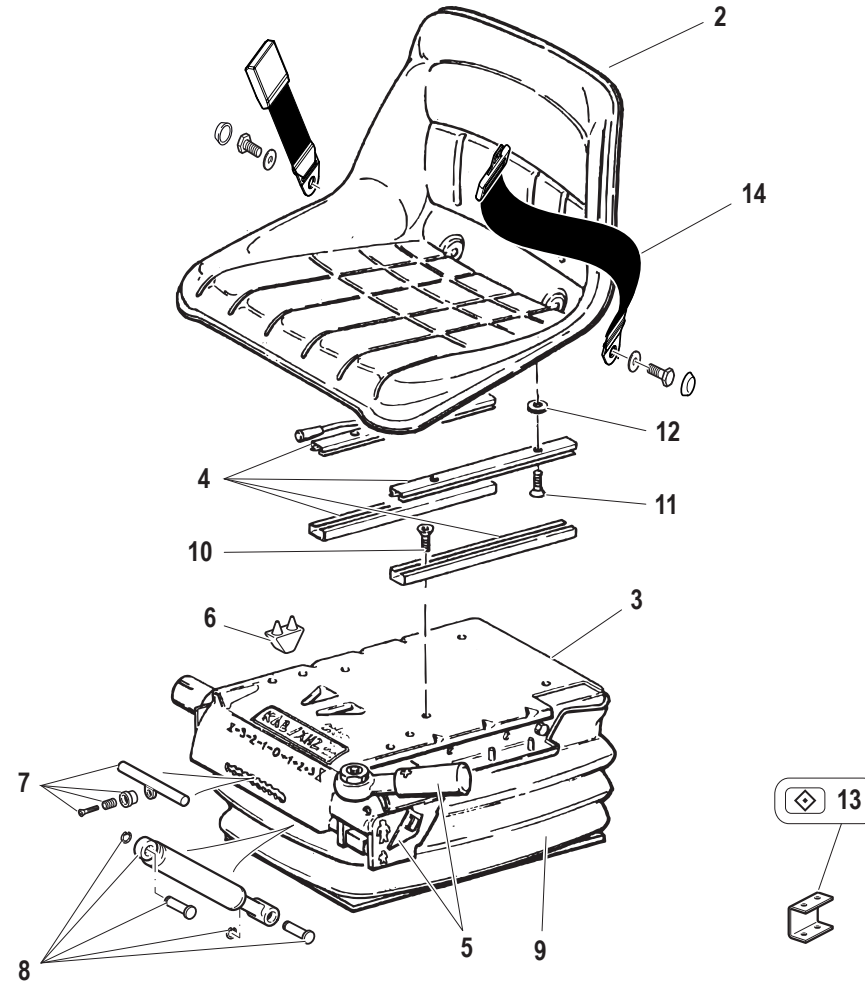


Pos.	Code	Q.ty	Description	Notes
1	58177723	1	SEAT	
2	59901048	1	SEAT	
3	58192377	1	SAFETY BELT	
4	59901049	1	SUSPENSION	
5	59900159	1	BELLOWS	
6	59900156	1	SHOCKS ABSORBER	
7/1	59900155	1	LEVER	
7/2	56172172	1	SMALL BLOCK	
8	59900154	4	SPRING	
9	59900153	1	KNOB	
10	59900158	18	SCREW	
11	59900157	1	LOWER GUIDE	
12	59900160	1	GUIDE	
13	59071241	1	STOP PLATE	
14	59900161	1	GUIDE	
15	59900152	1	LOWER GUIDE	

◇
VERSIONE CON CABINA
VERSION WITH CAB
VERSION AVEC LA CABINE
VERSION MIT KABINE
VERSIÓN CON LA CABINA



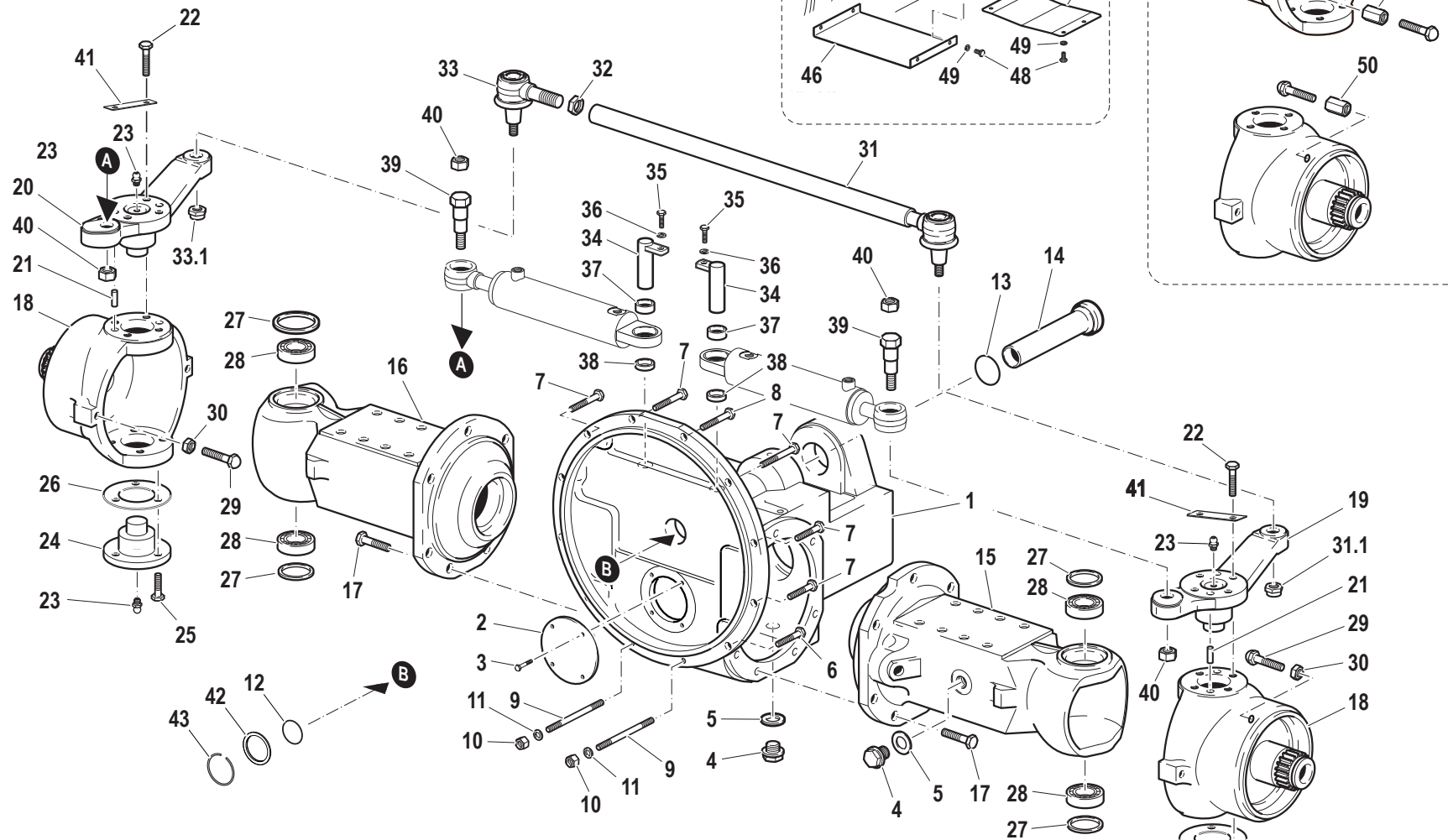
B.12.02-0



Pos.	Code	Q.ty	Description	Notes
1	59900200	1	SEAT	
2	F0150036215	1	SEAT CAVITY	
3	F0150036219	1	SPRING	
4	58173437	1	SEAT GUIDE	
5	59900183	1	CONTROL	
6	59900184	1	LIMITER	
7	59900185	1	CONTROL	
8	59900186	1	SHOCKS ABSORBER	
9	59900187	1	BELLOWS	
10	31111151	5	SCREW TE M8X16 UNI 5739 8G	
11	F0862495010	4	SCREW	
12	F0843696000	4	WASHER	
13	56171223	1	BRACKET	
14	58192377	1	SAFETY BELT	

FRONT AXLE FRONT AXLE

SERIAL START 914482

C.01.01_1_38975



QUADRO STRUMENTAZIONE DIGITALE
 DIGITAL INSTRUMENT DISPLAY
 TABLEAU DE L'INSTRUMENTATION DIGITALE
 DIGITALES GERÄT TAFEL
 CUADRANTE DE LA INSTRUMENTACIÓN DIGITAL


TRATTORI CON SOLLEVATORE ANTERIORE
 TRACTORS WITH FRONT LIFT
 TRACTEUR AVEC RELEVAGE AVANT
 TRAKTOR MIT VORDEREN HEBWERK
 TRACTORES CON ELEVADOR DELANTERO

Pos.	Code	Q.ty	Description	Notes
1	51176126	1	FRONT AXLE HOUSING	
2	51176125	1	FRONT COVER	
3	31112090	4	SCREW TE M6X16 UNI 5739 8G	
4	56370081	2	PLUG	
5	F0844273090	2	GASKET 22X28X1,5 CU 99,5	
6	31112211	2	SCREW TE M10X30 UNI 5739	
7	31112212	7	SCREW TE M10X35 UNI 5739	
8	31112213	1	SCREW TE M10X40 UNI 5739	
9	F0838475000	2	STUD BOLT M10X90 UNI 5911 8.8	
10	F0814632000	2	NUT M10	
11	F0843755000	2	WASHER 10	
12	F0803259000	1	O-RING	
13	F0803209070	1	O-RING	
14	59070012	1	PIPE	
15	51276773	1	FRONT AXLE HOUSING	
16	51276772	1	FRONT AXLE HOUSING	
17	F0864222010	16	SCREW M14X1,5/40 5738	
18	51277912	2	JOINT	
19	52377914	1	STEERING TRACK LEVER	
20	52377913	1	RIGHT ARM	
21	56377097	4	PIN	
22	31112267	8	SCREW M12x1,25x40 UNI 5738 10.9	
23	30000007	4	LUBRICATOR	
24	52370083	2	JOINT PIN	
25	F0863267050	6	SCREW M10x25	
26	56170082	1	SHIM	
26	56170221	1	SHIM	
26	56170222	1	SHIM	
26	56170223	1	SHIM	
26	56173353	1	SHIM	
27	58170077	4	GASKET	
28	F0812747000	4	BEARING 32006X (30x55x17)	
29	56379482	2	ADJUSTING SCREW	
30	31211123	2	NUT M12X1,25	

SERIAL
START
914482

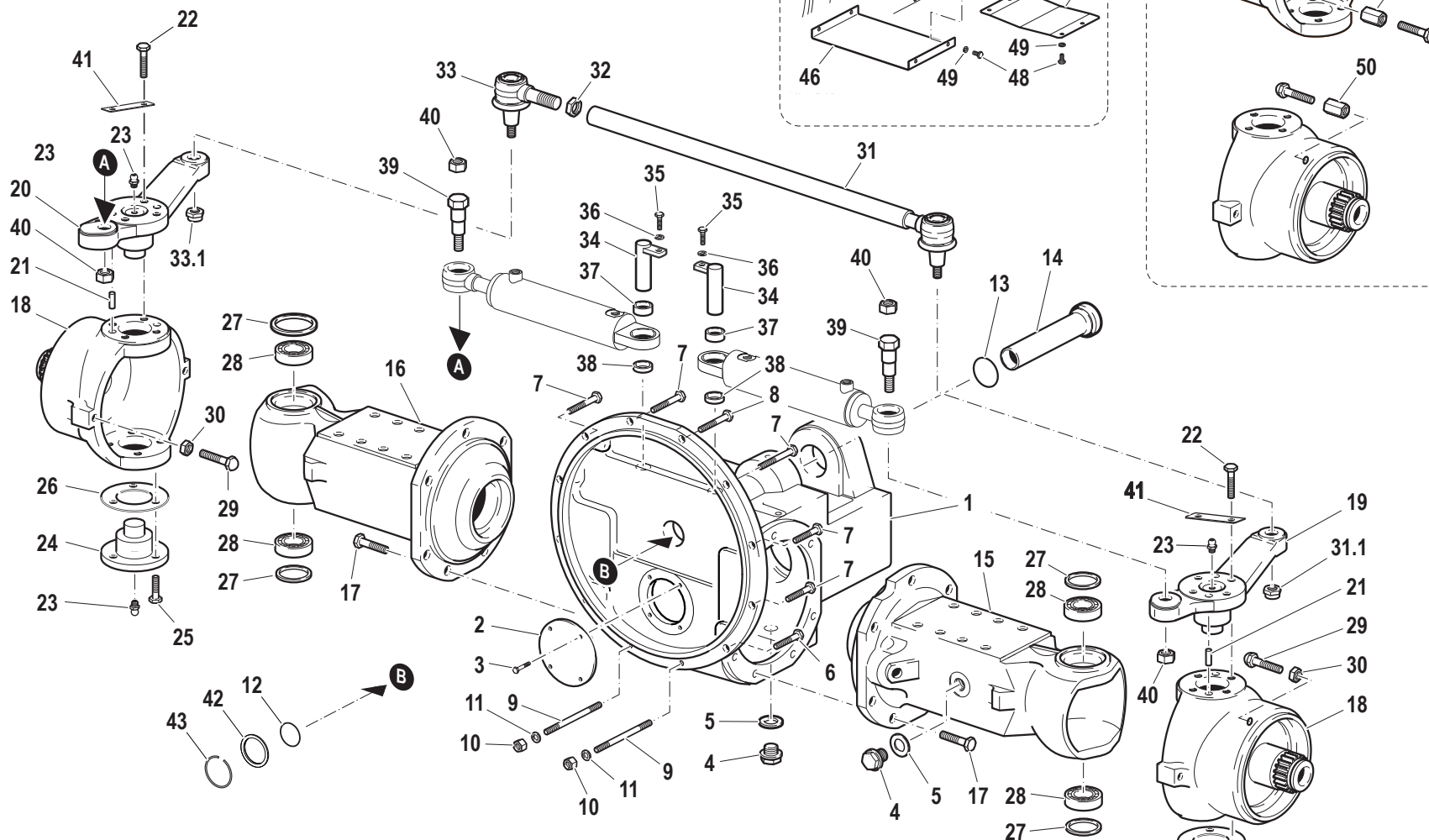
FRONT AXLE FRONT AXLE

CODE REV


C.01.01_1_38975

FRONT AXLE FRONT AXLE

SERIAL START 914482

C.01.01_1_38975



QUADRO STRUMENTAZIONE DIGITALE
 DIGITAL INSTRUMENT DISPLAY
 TABLEAU DE L'INSTRUMENTATION DIGITALE
 DIGITALES GERÄT TAFEL
 CUADRANTE DE LA INSTRUMENTACIÓN DIGITAL

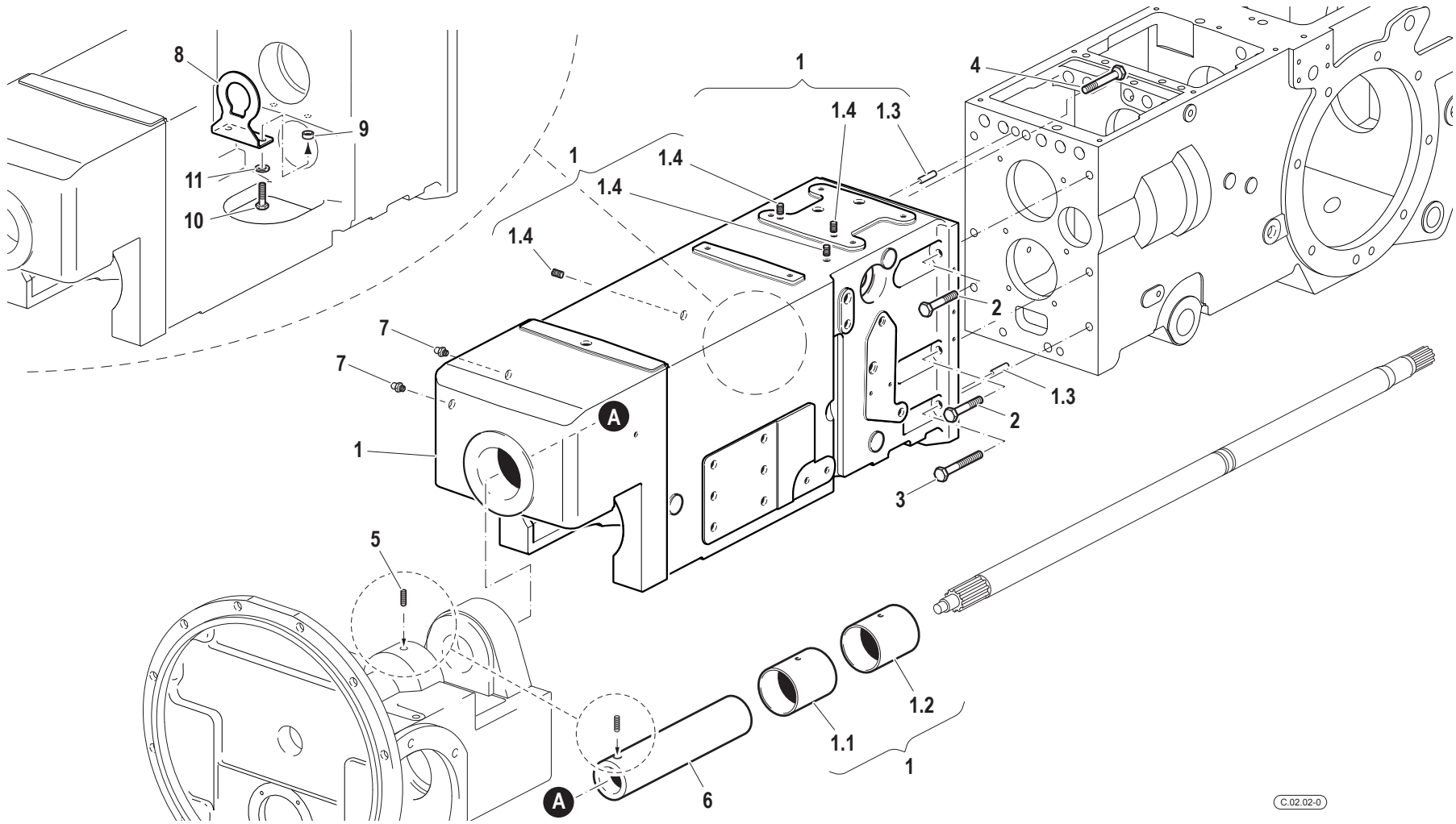

TRATTORI CON SOLLEVATORE ANTERIORE
 TRACTORS WITH FRONT LIFT
 TRACTEUR AVEC RELEVAGE AVANT
 TRAKTOR MIT VORDEREN HEBWERK
 TRACTORES CON ELEVADOR DELANTERO

Pos.	Code	Q.ty	Description	Notes
31	59070225	1	ROD	
31.1	F0814797000	2	SELFLOCK NUT	
32	56370486	1	SPECIAL NUT M20X1 CH32 6S	
33	58170069	1	BALL JOINT END	
34	59071171	2	HINGE PIN	
35	31111151	2	SCREW TE M8X16 UNI 5739 8G	
36	F0843643060	2	WASHER 8	
37	56170226	2	SPACER	
38	56171172	2	SPACER	
39	56377915	2	HINGE PIN	
40	31241161	4	SELFLOCK NUT M16X1,5	
41	56077910	4	CLAMPING PLATE	
42	56177068	1	SPACER	
43	F0801310600	1	SAFETY RING	
44	58175209	1	SENSOR	
45	56174919	1	BRACKET	
46	56174920	1	SHEET	
47	56172538	1	LAMINATION	
48	31112082	8	SCREW TE M6X12 UNI 5739 8G	
49	F0843570000	8	WASHER 6	
50	56077977	2	SMALL COLUMN	

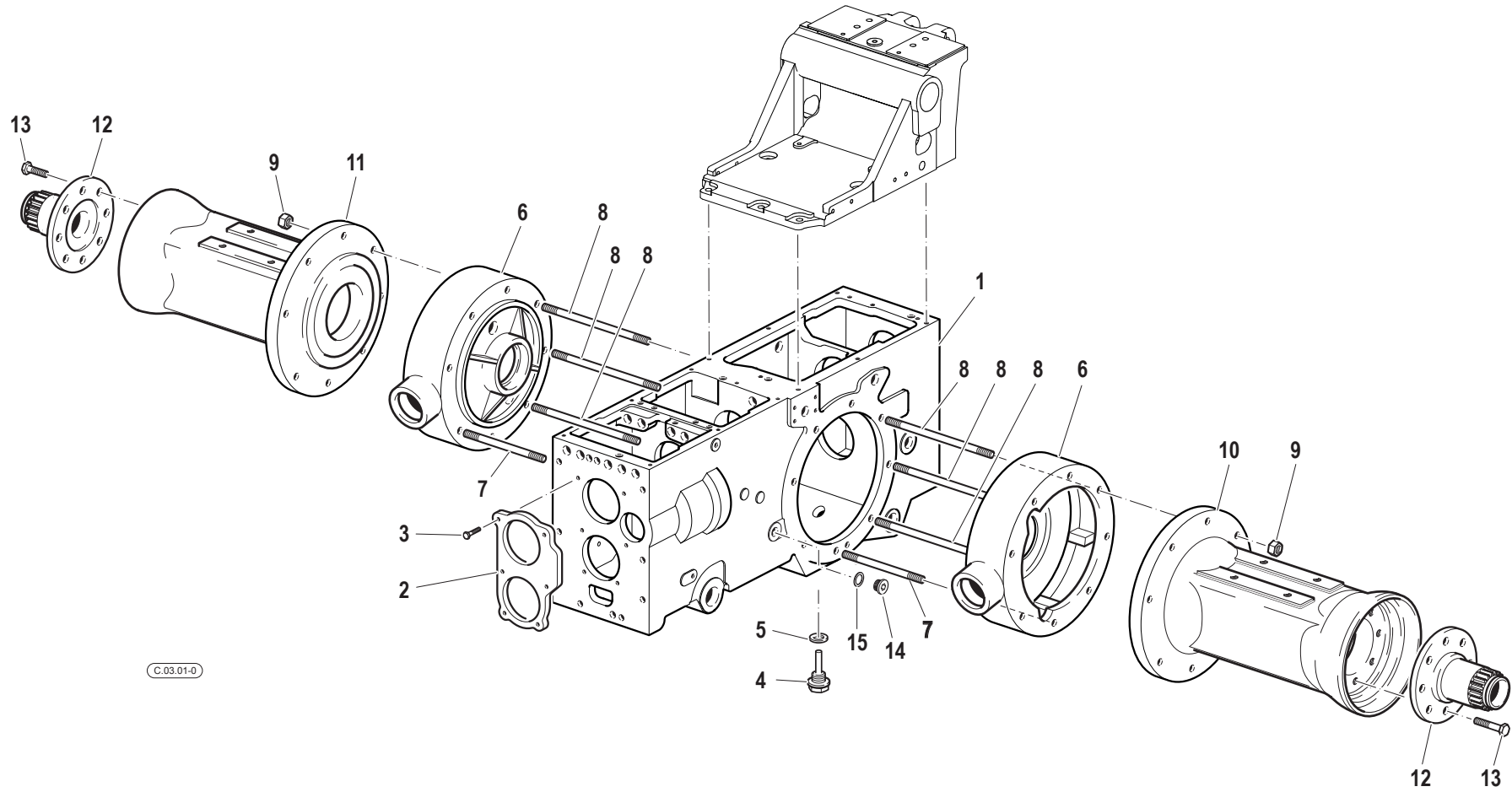
SERIAL
START
914482

FRONT AXLE FRONT AXLE

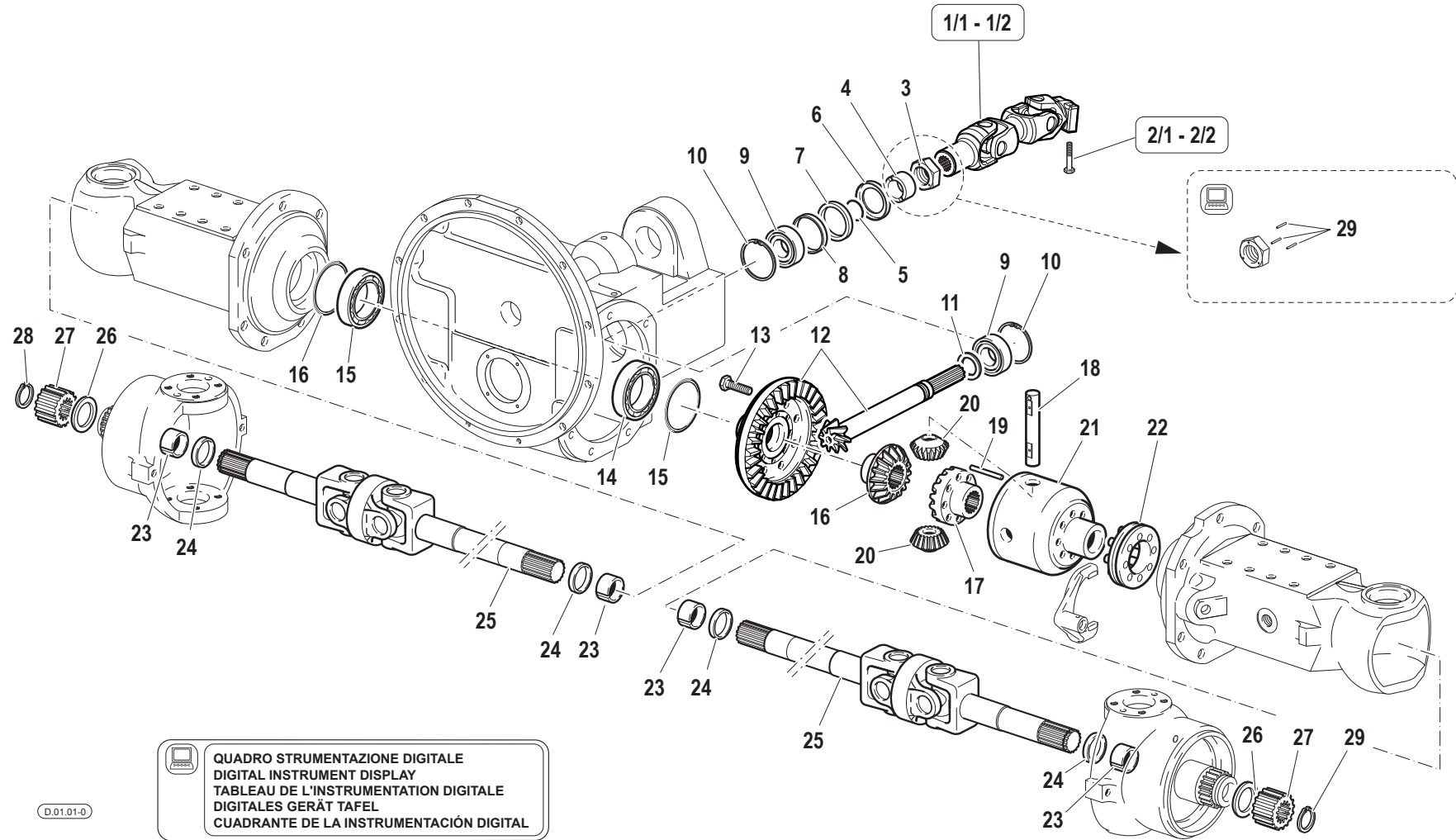
CODE REV
C.01.01_1_38975



Pos.	Code	Q.ty	Description	Notes
1	59276001	1	CLUTCH HOUSING	
1.1	56276372	1	BUSHING	
1.2	56276371	1	BUSHING	
1.3	56570016	2	CYLINDRICAL PLUG	
1.4	58079118	1	ROD	
2	F0863925000	7	SCREW M12X40 UNI 5737	
3	F0863997010	1	SCREW M12X50 UNI 5737	
4	F0863951000	1	SCREW M12X45 UNI 5737	
5	58077226	1	GRAIN	
6	56477227	1	PIN	
7	F0826056000	2	LUBRICATOR M10 UNI 7663A	
8	59075813	1	BRACKET	
9	56170364	2	SPACER	
10	31112146	2	SCREW TE M8X22 UNI 5739 8G	
11	F0843643060	2	WASHER 8	



Pos.	Code	Q.ty	Description	Notes
1	51176123	1	GEAR BOX	
2	51173650	1	FRONT COVER	
3	31112151	6	SCREW TE M8X25 UNI 5739 8G	
4	58170021	1	PLUG	
5	F0844273090	1	GASKET 22X28X1,5 CU 99,5	
6	51170020	2	BRAKE HOUSING	
7	31313300	10	STUD BOLT M14X1,5X105	
8	31313320	6	STUD BOLT M14X1,5X120	
9	F0814750010	16	NUT M14X1,5	
10	51173804	1	REDUCTION BOX	
11	51173803	1	BOX	
12	56373800	2	SUPPORT	
13	F0863890010	16	SCREW M12x1,75x35	
14	30040035	1	PLUG M18x1,5 DIN908	
15	F0824113000	1	COPPER WASHER 18X24/1,5	



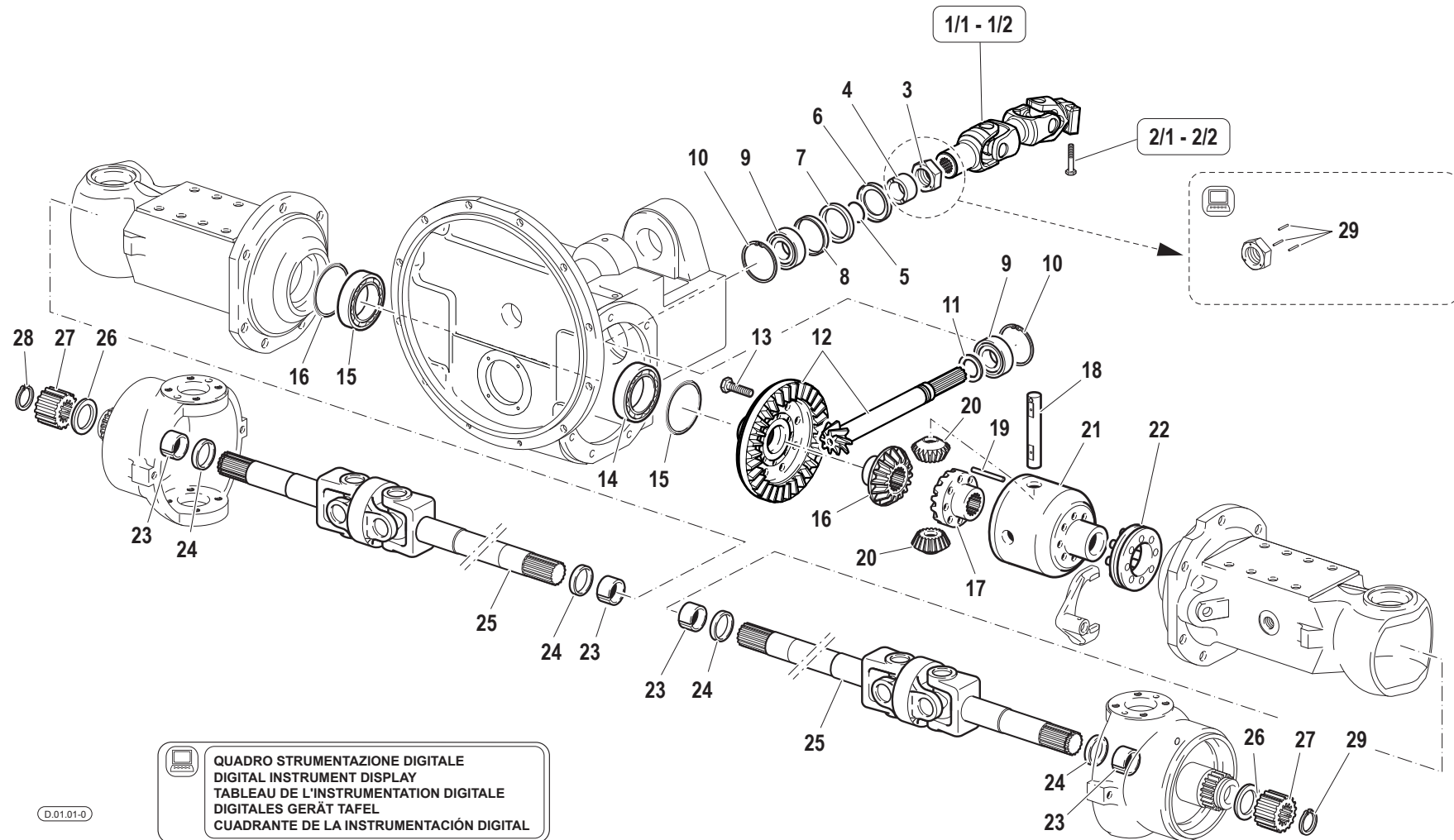
Pos.	Code	Q.ty	Description	Notes
1/1	58178873	1	JOINT	
1/2	58178811	1	JOINT	
2/1	F0862785000	1	SCREW	
2/2	31111156	1	SCREW TE M8X50 UNI 5737 CL 10.9	
3	56372536	1	RING NUT	
4	56470215	1	SPACER	
5	F0803078100	1	O-RING	
6	56170214	1	PROTECTIVE RING D=72	
7	F0802239045	1	SEAL 50x72x8	
8	56170213	1	SPACER	
9	F0812859000	2	BEARING 32207	
10	F0801422010	2	SEEGER RING	
11	56370209	1	SHIM	
11	56370210	1	SHIM	
11	56370211	1	SHIM	
11	56370212	1	SHIM	
12	59376519	1	BEVEL GEAR	
13	F0863311250	8	SCREW M10x1,5x32	
14	F0812956000	2	BEARING 32010 X/Q	
15	56370089	1	RING	
15	56370127	1	RING	
15	56370128	1	RING	
16	52470064	1	PINION	
17	52470063	1	PINION	
18	56471036	1	PIN	
19	56371037	1	PIN	
20	52470067	2	DIFFERENTIAL PINION	
21	51371035	1	HOUSING	
22	59070065	1	SLEEVE	
23	58170039	4	BUSHING	
24	F0802119050	4	SEAL 30x44x11	
25	58170107	2	JOINT	
26	56470216	2	SHIM	
27	52470086	2	CROWN WHEEL	

SERIAL

FRONT TRANSMISSION

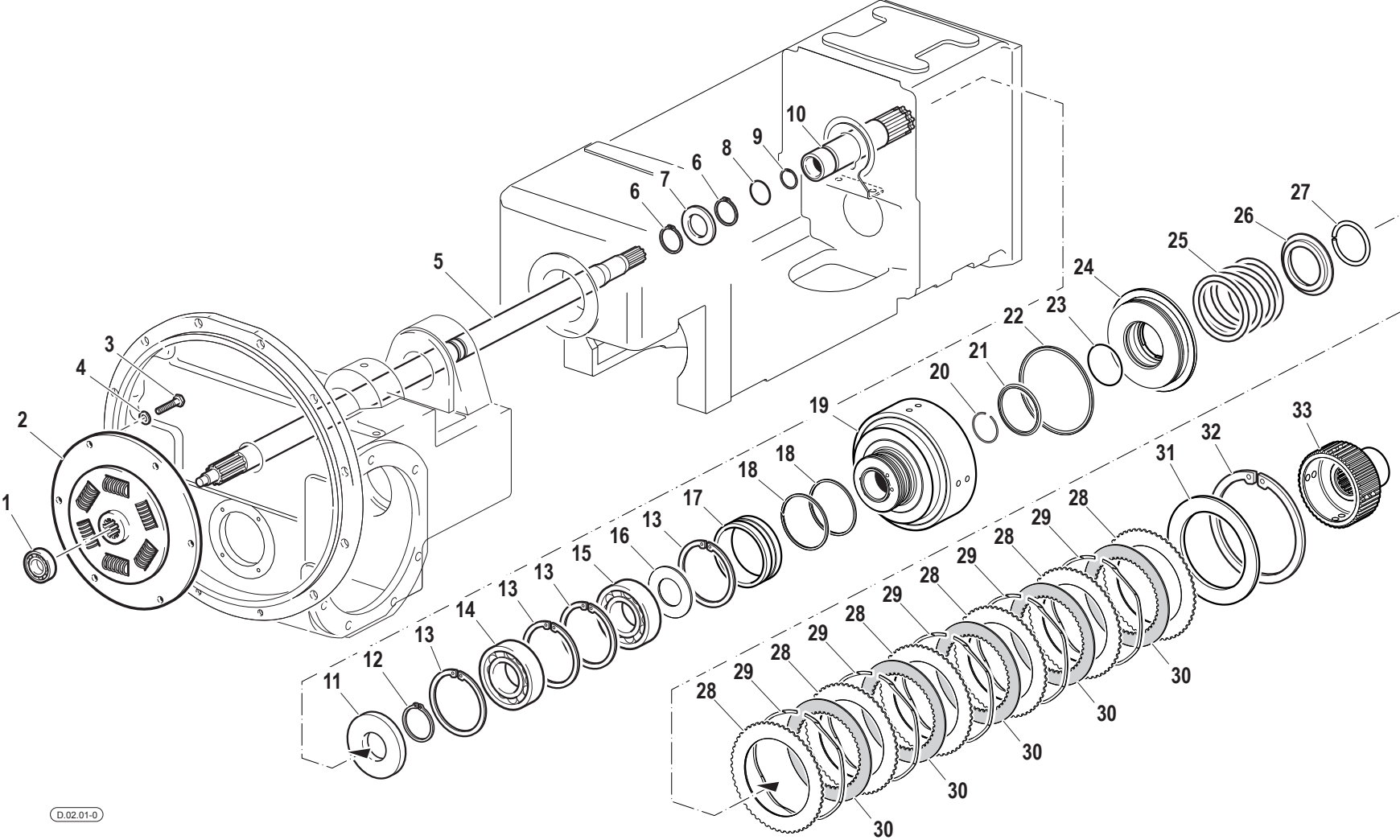
CODE REV

D.01.01_0_40115



Pos.	Code	Q.ty	Description	Notes
28	F0801218010	2	SEEGER RING	
29	F0851044000	3	PIN 3,0X26 DIN 1481 CL:C72	

CLUTCH FRONT SHAFT / TRANSMISSION CLUTCH



D.02.01-0

Pos.	Code	Q.ty	Description	Notes
1	F0812523050	1	BEARING 6201-2RS	
2	58177653	1	JOINT	
3	31112150	6	SCREW TE M8X20 UNI 5739 8G	
4	31421083	6	WASHER	
5	56573662	1	FRONT CLUTCH SHAFT	
6	35121030	2	SEEGER RING	
7	57371049	1	WASHER D.44x30,2/4	
8	38112510	1	O-RING	
9	F0801138010	1	SEEGER RING	
10	52473658	1	SHAFT	
11	F0802163010	1	SEAL 35x80/10	
12	F0801264050	1	SEEGER RING	
13	35111080	4	SEEGER RING	
14	37111354	1	BEARING	
15	F0812868100	1	BEARING 6307-2Z (35x80x21)	
16	56371162	1	SHIM	
17	56470002	1	BUSHING	
18	58170306	2	SEAL	
19	52573648	1	CLUTCH HOUSING	
20	F0801266100	1	SAFETY RING	
21	58170443	1	GASKET	
22	58172400	1	GASKET	
23	38104412	1	O-RING	
24	53273025	1	PISTON	
25	58070262	1	RESTORING SPRING	
26	56370267	1	RING	
27	58070268	1	CIRCLIP	
28	58170034	6	DISC	
29	58172106	5	SPRING	
30	58172105	5	DISC	
31	56370037	1	CLUTCH DISC	
32	F0801455100	1	SEEGER RING	
33	52473655	1	HUB	

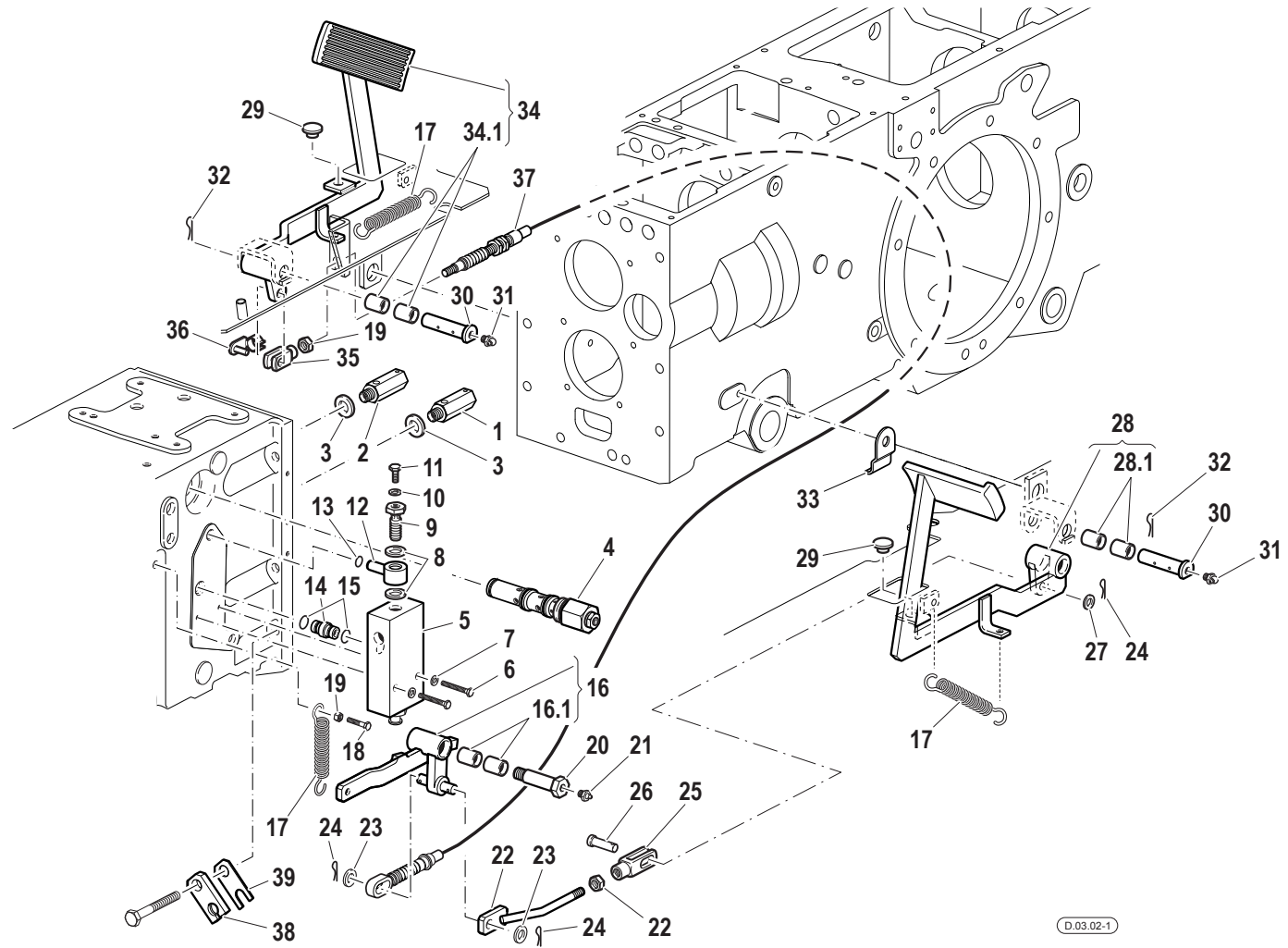
SERIAL

CLUTCH FRONT SHAFT / TRANSMISSION CLUTCH

CODE REV

D.02.01_0_39284

CLUTCH CONTROLS



Pos.	Code	Q.ty	Description	Notes
1	59278554	1	VALVE	
2	59278555	1	VALVE	
3	F0843841000	2	COPPER WASHER 12,0x18/1,5	
4	58177754	1	VALVE	
5	58173030	1	SWITCH	
6	F0862345000	2	SCREW M6X40 UNI 5737	
7	F0843581010	2	SPRING WASHER 6	
8	F0843907000	2	COPPER WASHER 13,66x19/1,5	
9	58074558	1	PIPE FITTING	
10	F0843641000	1	COPPER WASHER 8x14/1,5	
11	F0862448100	1	SCREW M8X10 UNI 5740	
12	59074623	1	PRESSURE PIPE	
13	38110992	1	O-RING	
14	56170029	1	PIPE FITTING	
15	F0803057000	2	O-RING	
16	59073725	1	ROCKER	
16.1	58173195	2	BUSHING	
17	58070790	3	RESTORING SPRING	
18	F0862694000	1	SCREW M8X170 UNI 5737	
19	F0814569000	2	NUT	
20	56173684	1	PIN	
21	30000007	1	LUBRICATOR	
22	59073685	1	ROD	
23	31411105	2	WASHER 10,5x21	
24	F0810510000	2	SPLIT PIN A2,0X20 UNI 1336	
25	56074302	1	FORK	
26	F0835523000	1	PIN	
27	31411084	1	WASHER 8,4x17	
28	59074206	1	CLUTCH PEDAL	
28.1	58173195	2	BUSHING	
29	F0822537050	1	BUFFER	
30	56373194	2	HINGE PIN	
31	F0826039000	2	LUBRICATOR	
32	F0810527000	2	FRONT COVER	

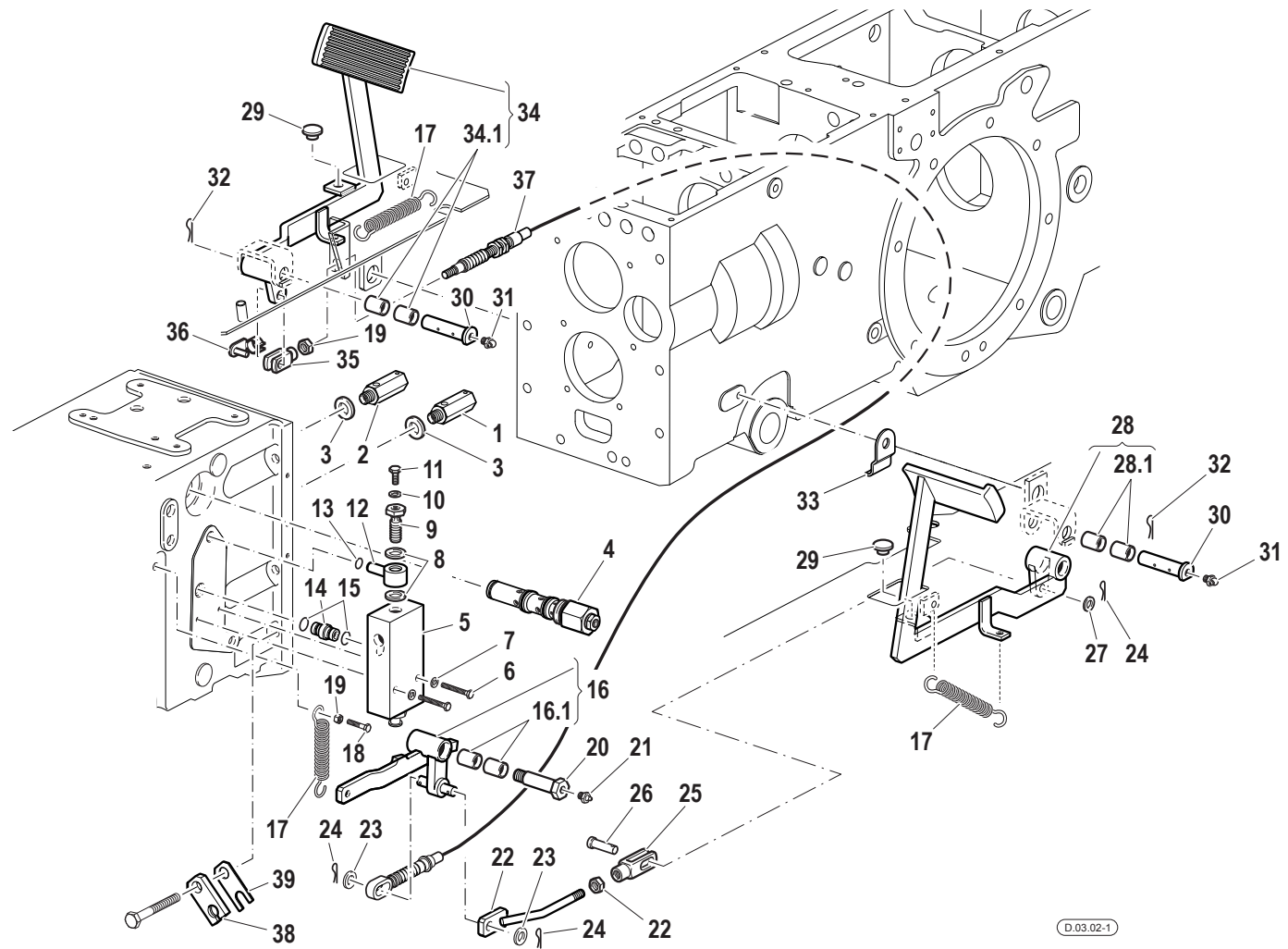
SERIAL
START
914705

CLUTCH CONTROLS

CODE REV

D.03.02_1_39804

CLUTCH CONTROLS



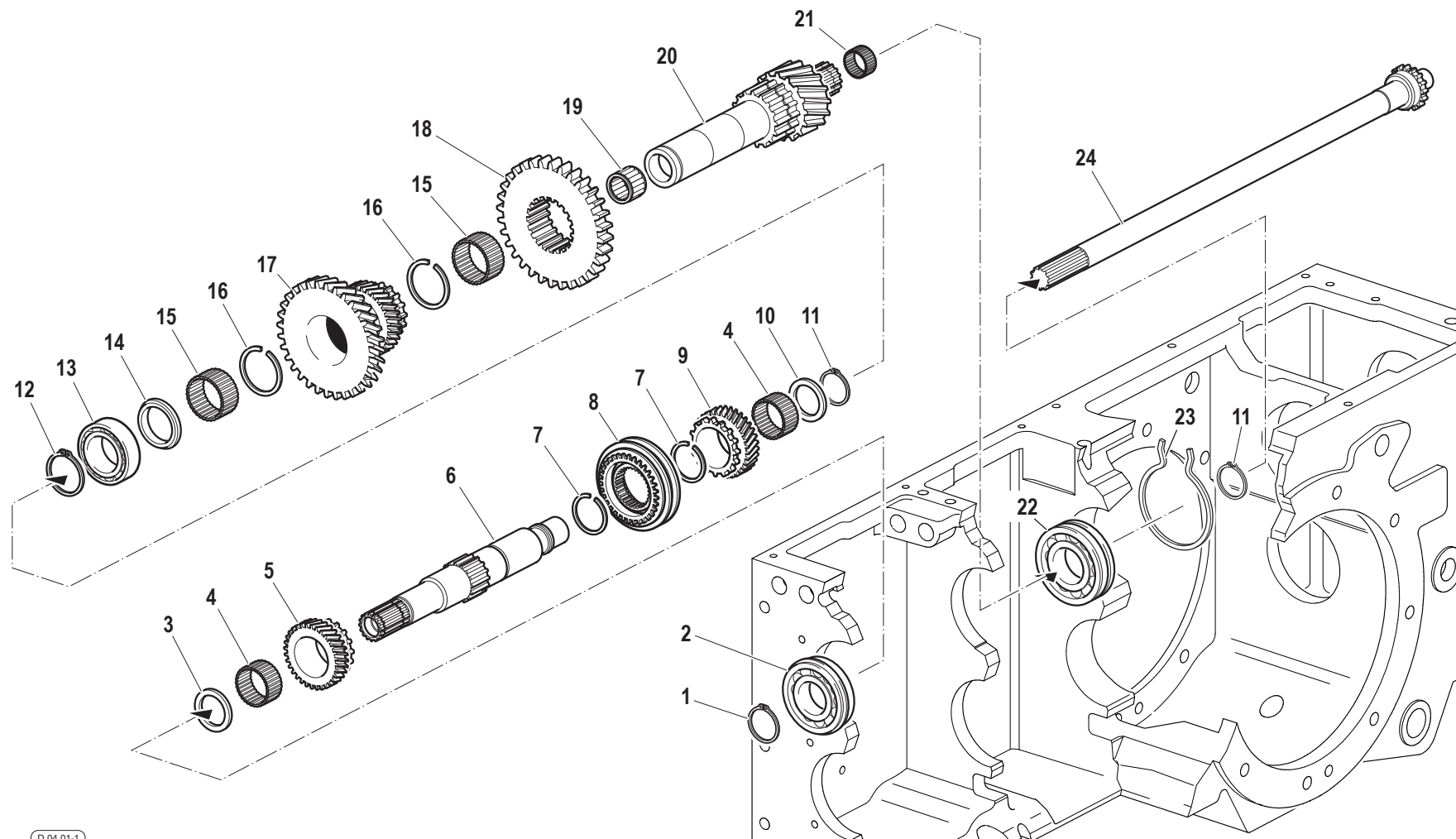
Pos.	Code	Q.ty	Description	Notes
33	56075230	1	BRACKET	
34	59074081	1	PEDAL	
34.1	58173195	4	BUSHING	
35	F0860058010	1	FORK	
36	F0860058020	1	PIN	
37	58174417	1	CABLE	
38	56174400	1	PLATE	
39	56174401	1	FIXING PLATE	

SERIAL
START
914705

CLUTCH CONTROLS

CODE REV
D.03.02_1_39804

INPUT SHAFT / RANGES MAIN SHAFT / GEARS



Pos.	Code	Q.ty	Description	Notes
1	F0801264050	1	SEEGER RING	
2	F0812868000	1	BEARING 6307-NR	
3	56470110	1	SHIM	
4	F0812878040	2	ROLLER CAGE K 40X45/27	
5	52473838	1	DRIVEN GEAR	
6	56473818	1	SHAFT	
7	F0801331150	2	SAFETY RING	
8	58170279	1	LOCK SYNCHRONIZER	
9	52473839	1	GEAR	
10	56470139	1	SHIM	
11	35121040	1	SEEGER RING	
12	F0801353000	1	SEEGER RING	
13	37112501	1	BEARING	
14	56470111	1	SHIM	
15	F0812951200	2	ROLLER CAGE K 50X55/20 H	
16	F0801380100	2	SAFETY RING	
17	52478618	1	DOUBLE GEAR	
18	52478619	1	GEAR	
19	F0812783000	1	ROLLER CAGE K 32X38/20	
20	52478620	1	OUTPUT SHAFT	
21	F0812660020	1	ROLLER CAGE K 22X26/17	
22	F0812918010	1	BEARING 6308-NR (40x90x23)	
23	58170130	1	CIRCLIP	
24	52473656	1	SHAFT	

SERIAL

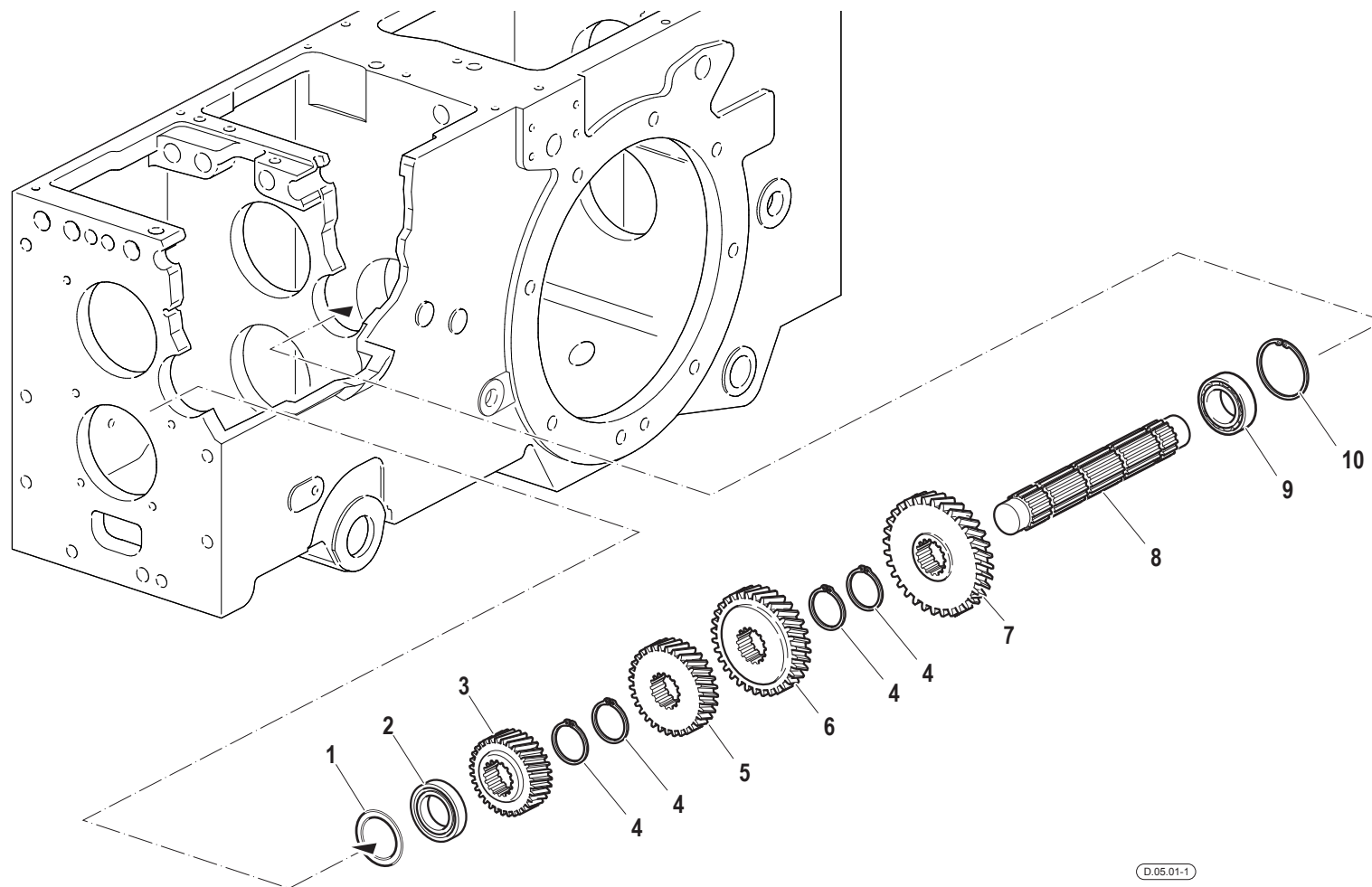
INPUT SHAFT / RANGES MAIN SHAFT / GEARS

Version: RS-M, RS-R, AR-M, AR-R

CODE REV

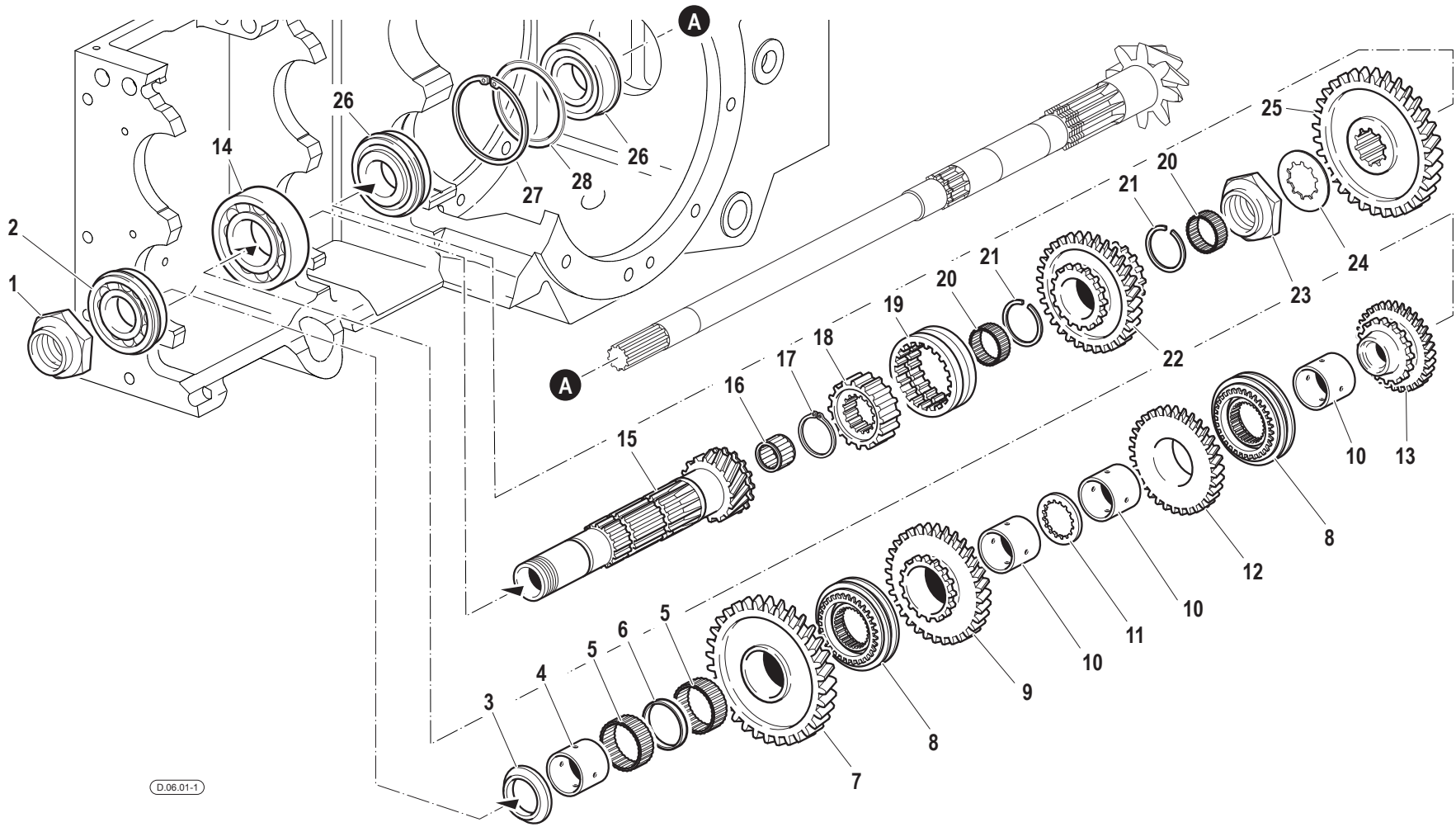
D.04.01_1_42845

GEARS MAIN SHAFT / GEARS



Pos.	Code	Q.ty	Description	Notes
1	F0850100000	1	SHIM 41x51/0,2	
1	F0850100010	1	SHIM 41x51/0,3	
1	F0850100020	1	SHIM 41x51/0,5	
2	F0812708030	1	BEARING NJ 205E	
3	52478612	1	GEAR	
4	F0801241010	4	SEEGER RING	
5	52473829	1	GEAR	
6	52473830	1	GEAR	
7	52473831	1	GEAR	
8	52473827	1	OUTPUT SHAFT	
9	37111255	1	BEARING	
10	35111052	1	SEEGER RING	

GEARS TRANSMISSION SHAFT / GEARS



Pos.	Code	Q.ty	Description	Notes
1	56373840	1	RING NUT	
2	F0812899000	1	BEARING 6208-NR	
3	52478611	1	SHIM	
4	56578610	1	BUSHING	
5	F0812951070	2	ROLLER CAGE K 47X52/17 H	
6	56278614	1	SPACER	
7	52478609	1	DRIVEN GEAR	
8	58171139	2	LOCK SYNCHRONIZER	
9	52473835	1	DRIVEN GEAR	
10	56470138	3	BUSHING	
11	56470137	1	SHIM	
12	52473836	1	DRIVEN GEAR	
13	52473837	1	DRIVEN GEAR	
14	F0812957000	1	BEARING 6210 (50/90/20)	
15	52474251	1	COUNTERSHAFT	
16	F0812692015	1	ROLLER CAGE K 25X35/25	
17	35121035	1	SEEGER RING	
18	52470118	1	SLEEVE	
19	52470117	1	SLIDING SLEEVE	
20	F0812811000	2	ROLLER CAGE K 35X40/17	
21	F0801299100	2	SAFETY RING	
22	52478615	1	DOUBLE GEAR	
23	56378616	1	RING NUT	
24	56170760	1	RETAINING WASHER SP.1,0	
24	56174692	1	RETAINING WASHER SP.0,8	
24	56174693	1	RETAINING WASHER SP.0,9	
24	56174694	1	RETAINING WASHER SP.1,1	
24	56174695	1	RETAINING WASHER SP.1,2	
24	56175367	1	RETAINING WASHER SP.1,3	
25	52478617	1	GEAR	
26	37221320	2	BEARING	
27	35111080	1	SEEGER RING	
28	56370089	1	RING	
28	56370127	1	RING	

SERIAL

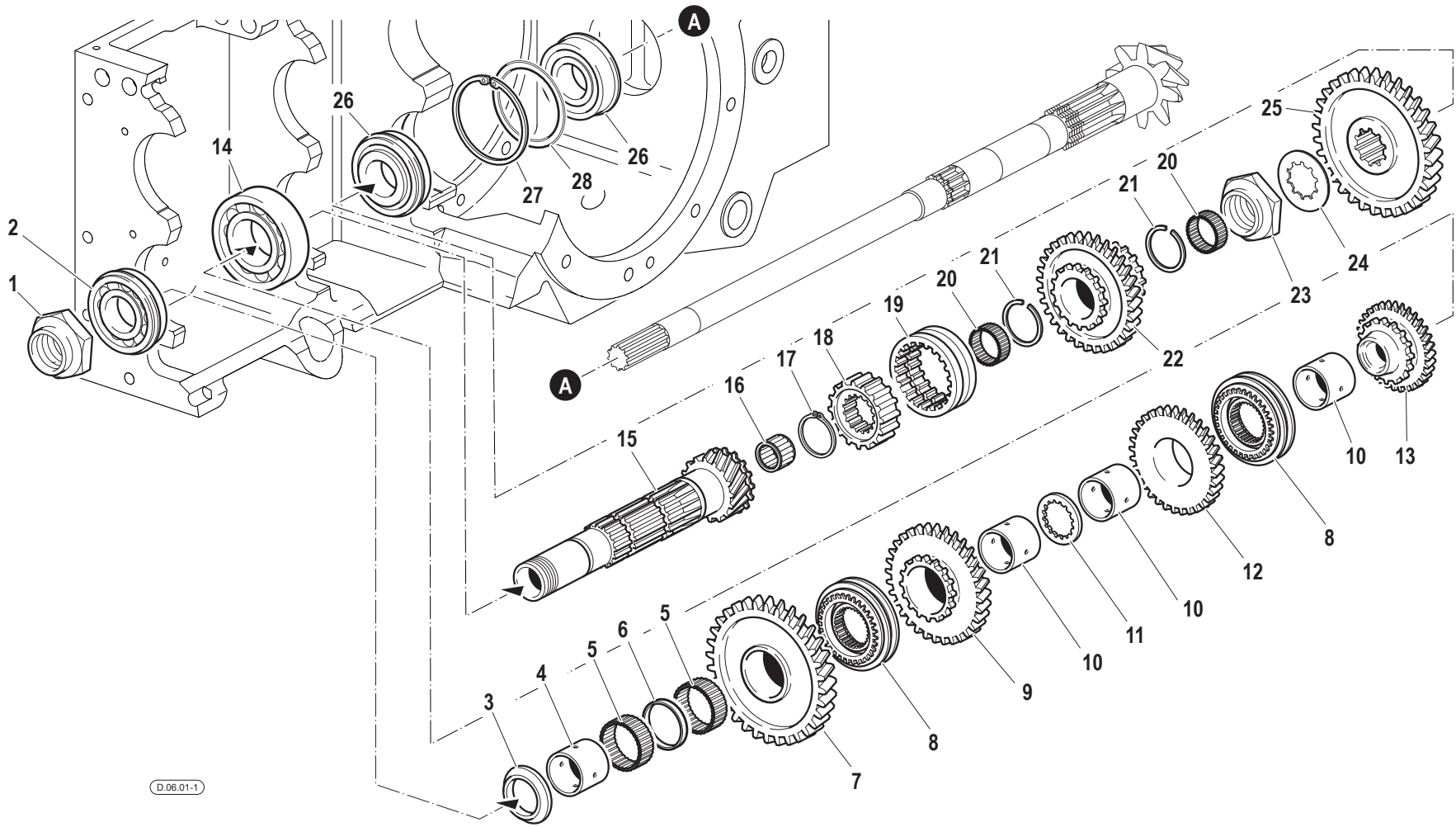
GEARS TRANSMISSION SHAFT / GEARS

Version: RS-M, RS-R, AR-M, AR-R

CODE REV

D.06.01_1_42932

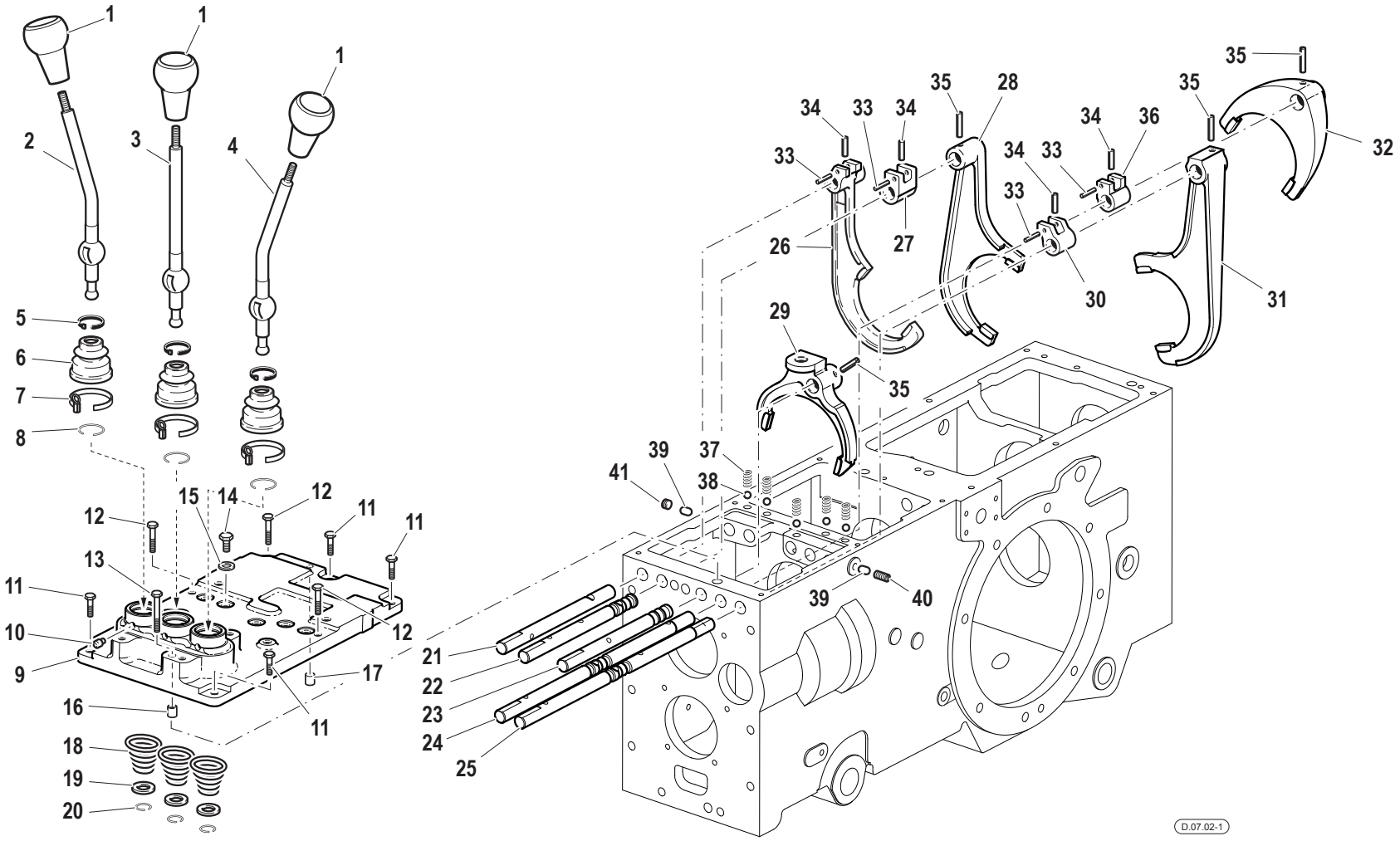
GEARS TRANSMISSION SHAFT / GEARS



Pos.	Code	Q.ty	Description	Notes
28	56370128	1	RING	
28	56370830	1	RING	

GEARBOX CONTROLS

SERIAL START 913987



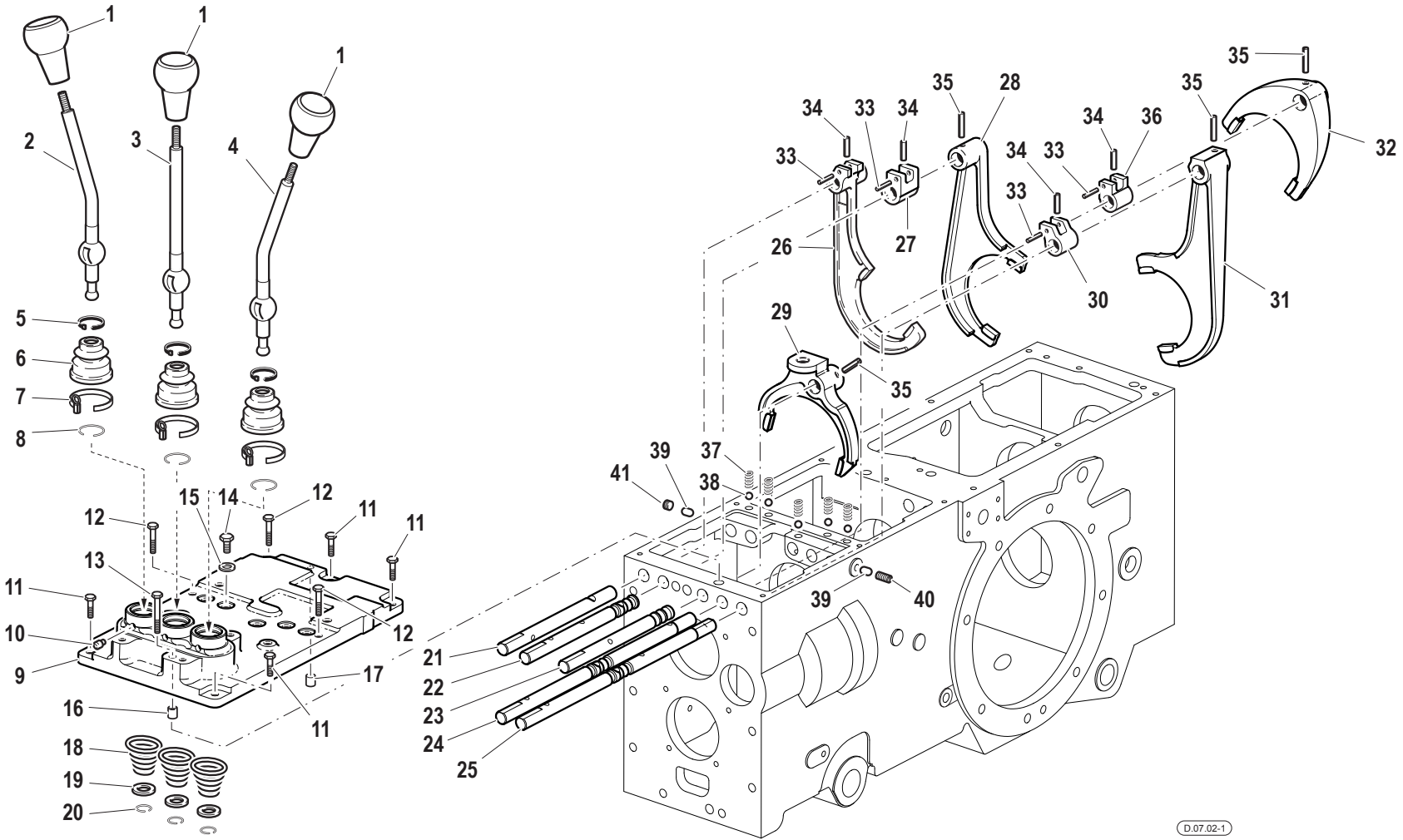
Pos.	Code	Q.ty	Description	Notes
1	58174192	3	HANDLE	
2	52374189	1	COMMAND LEVER	
3	52374386	1	COMMAND LEVER	
4	52378636	1	COMMAND LEVER	
5	F0817640003	3	CLAMP 4,8x180	
6	55170053	3	CAP	
7	58170054	3	COLLAR	
8	58070169	3	LOCKRING	
9	51179545	1	COVER	
10	56370018	6	HINGE PIN	
11	31112146	4	SCREW TE M8X22 UNI 5739 8G	
12	31112152	3	SCREW TE M8X30 UNI 5739 8G	
13	F0862944000	1	SCREW M8X60 UNI 5737	
14	56370186	5	PLUG	
15	F0843771000	5	COPPER WASHER 10,0x16/1	
16	56170017	1	PIN	
17	56570016	1	CYLINDRICAL PLUG	
18	58070164	3	SPRING	
19	56370172	3	SPACER	
20	58070168	3	LOCKRING	
21	56371065	1	PULL ROD	
22	56370177	1	PULL ROD	
23	56370165	1	ROD	
24	56378622	1	PULL ROD	
25	56378630	1	PULL ROD	
26	52274299	1	SELECTOR FORK	
27	52375896	1	CATCH	
28	52272112	1	SELECTOR FORK	
29	52273364	1	SELECTOR FORK	
30	52378629	1	CATCH	
31	51278623	1	SELECTOR FORK	
32	51270771	1	SELECTOR FORK	
33	F0851156000	4	PIN 4X30 DIN 1481 CL:C72	
34	F0851262000	4	PIN 6X26 DIN 7343 CL:C72	

SERIAL
START
913987

GEARBOX CONTROLS

CODE REV
D.07.02_1_39700

GEARBOX CONTROLS



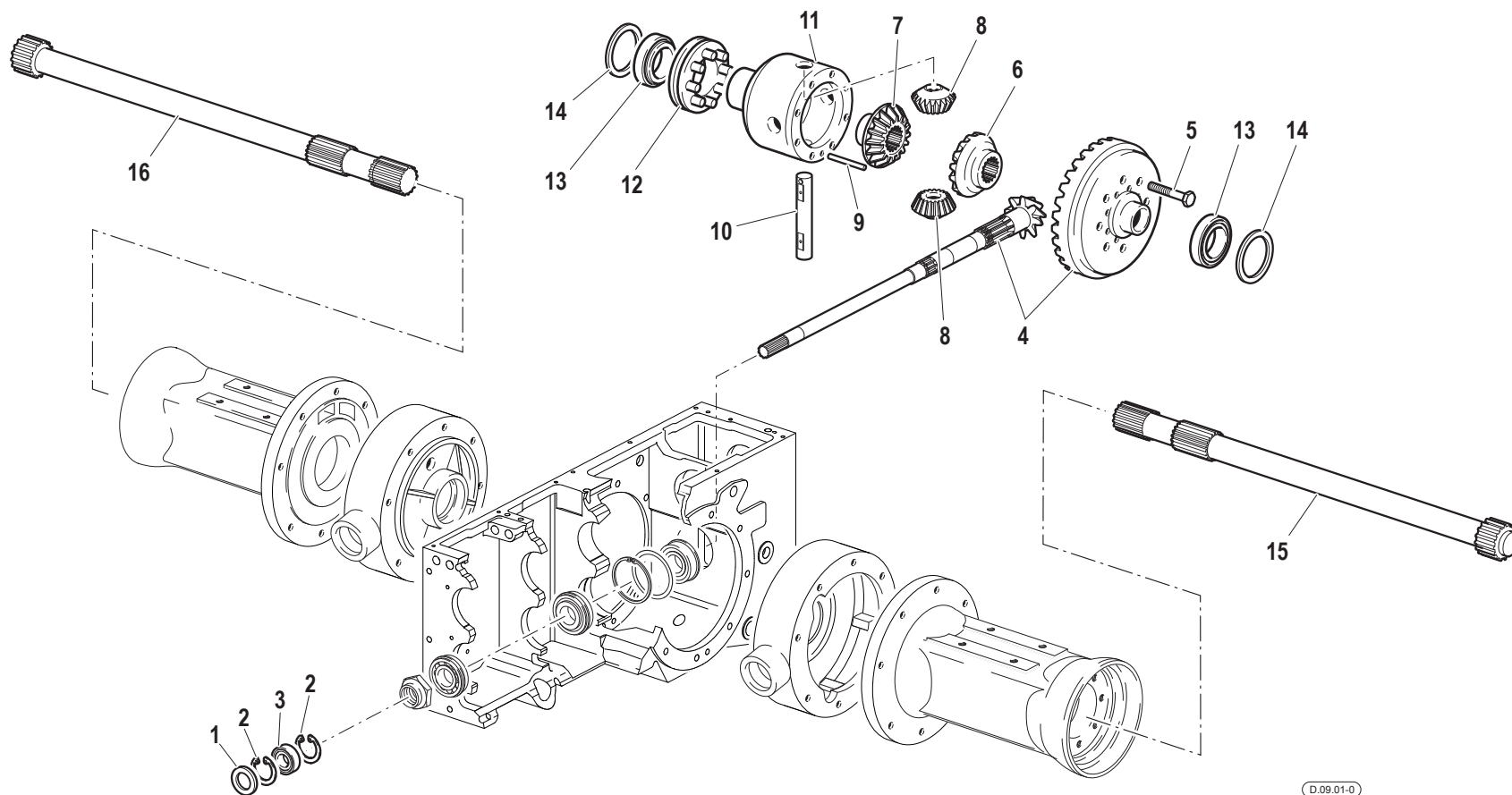
Pos.	Code	Q.ty	Description	Notes
35	F0851267050	3	PIN 6X30 DIN 7343 CL:C72	
36	52378628	1	CATCH	
37	58070741	5	SPRING	
38	F0847434000	5	BALL	
39	56570125	2	TOGGLE	
40	F0863183000	1	SCREW M10X16 UNI 5923	
41	F0852578060	1	CONICAL PLUG	

SERIAL
START
913987

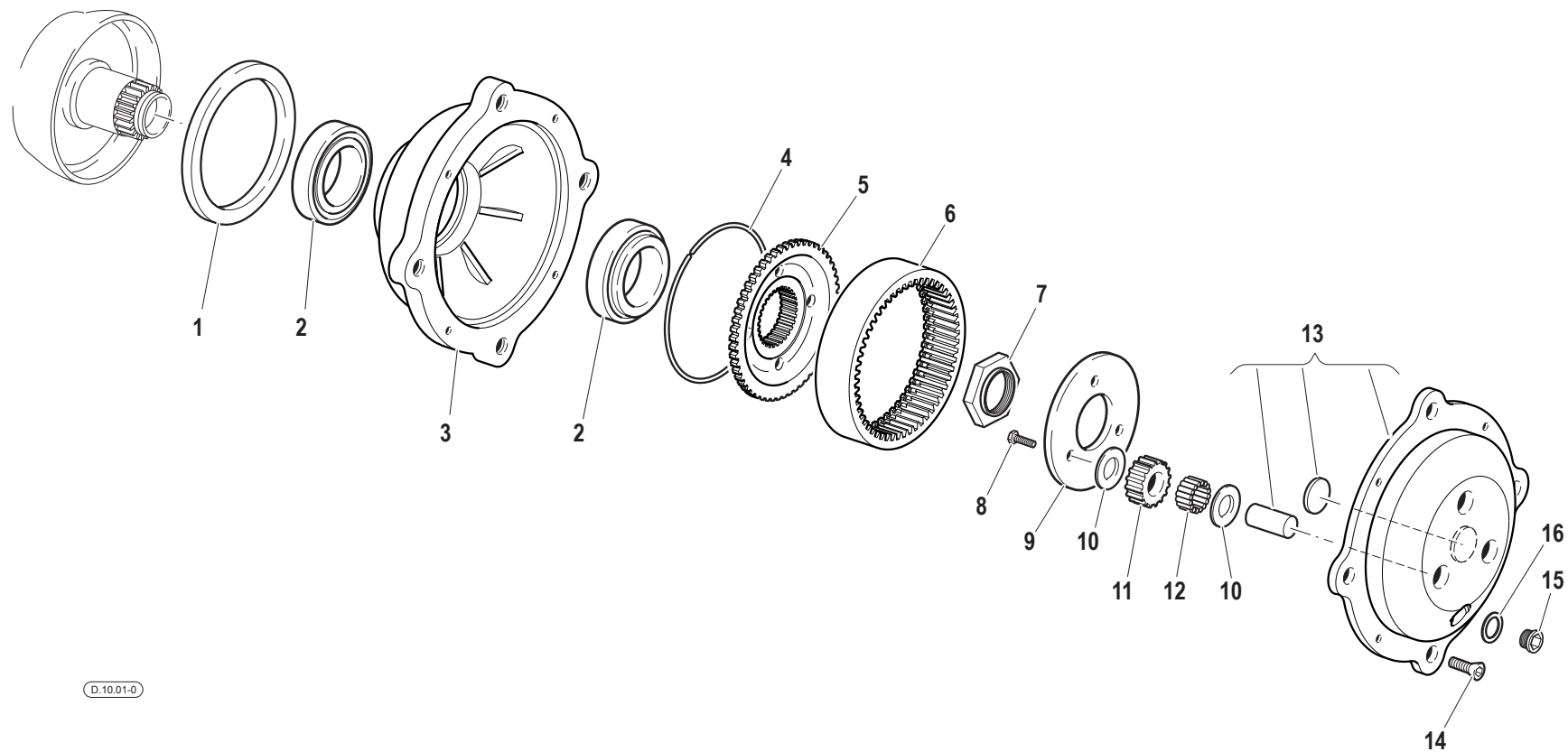
GEARBOX CONTROLS

CODE REV
D.07.02_1_39700

REAR TRANSMISSION



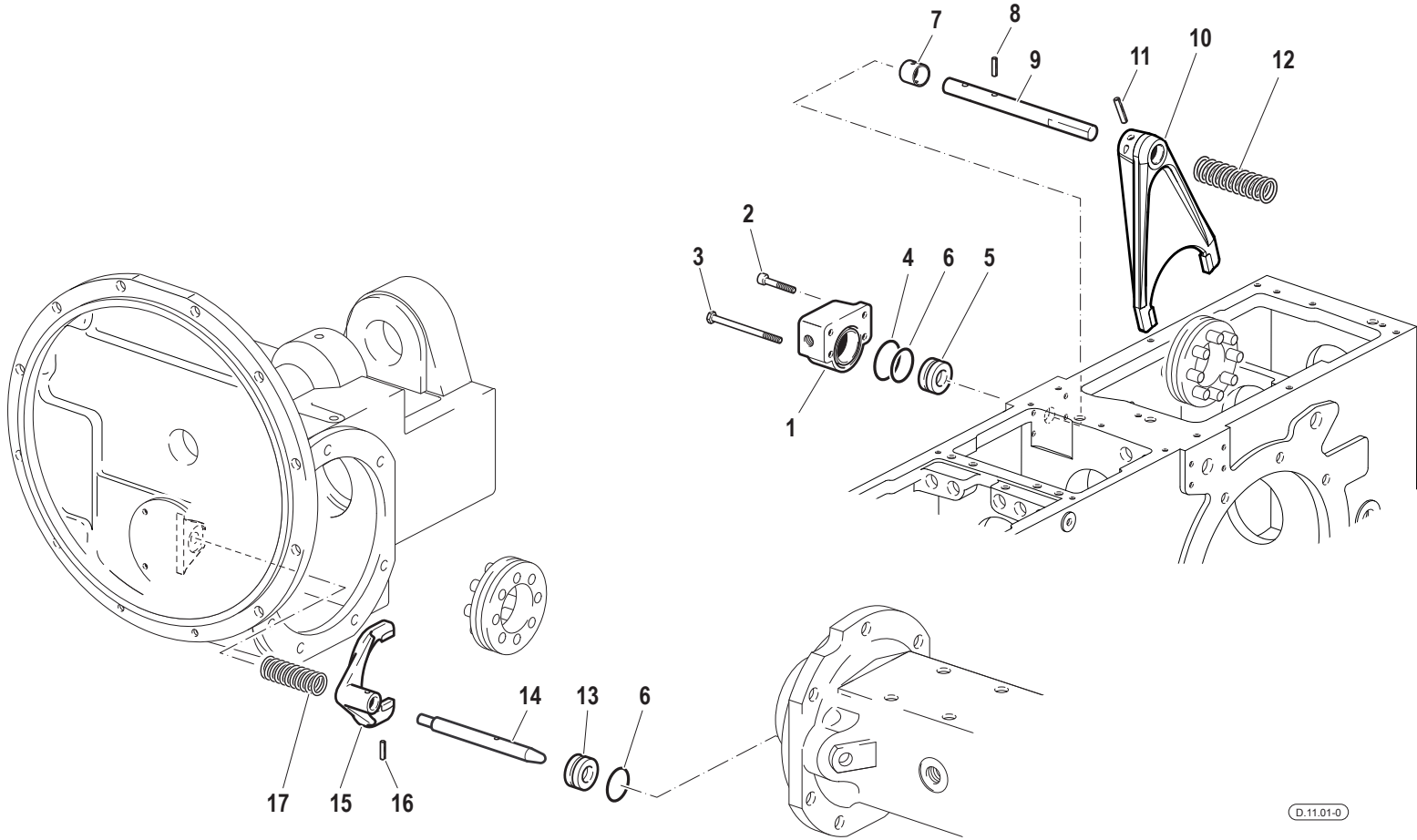
Pos.	Code	Q.ty	Description	Notes
1	F0802104000	1	OIL SEAL 25x62/10	
2	35111062	2	SEEGER RING	
3	37111254	1	BEARING	
4	59378814	1	BEVEL GEAR	
5	F0863311250	8	SCREW M10x1,5x32	
6	52470062	1	PINION	
7	52470061	1	PINION	
8	52470067	2	DIFFERENTIAL PINION	
9	56371037	1	PIN	
10	56471036	1	PIN	
11	51371035	1	HOUSING	
12	59070065	1	SLEEVE	
13	F0812956000	2	BEARING 32010 X/Q	
14	56370089	1	RING	
14	56370127	1	RING	
14	56370128	1	RING	
14	56370830	1	RING	
15	52470106	1	REAR AXLE SHAFT	
16	52470105	1	REAR AXLE SHAFT	



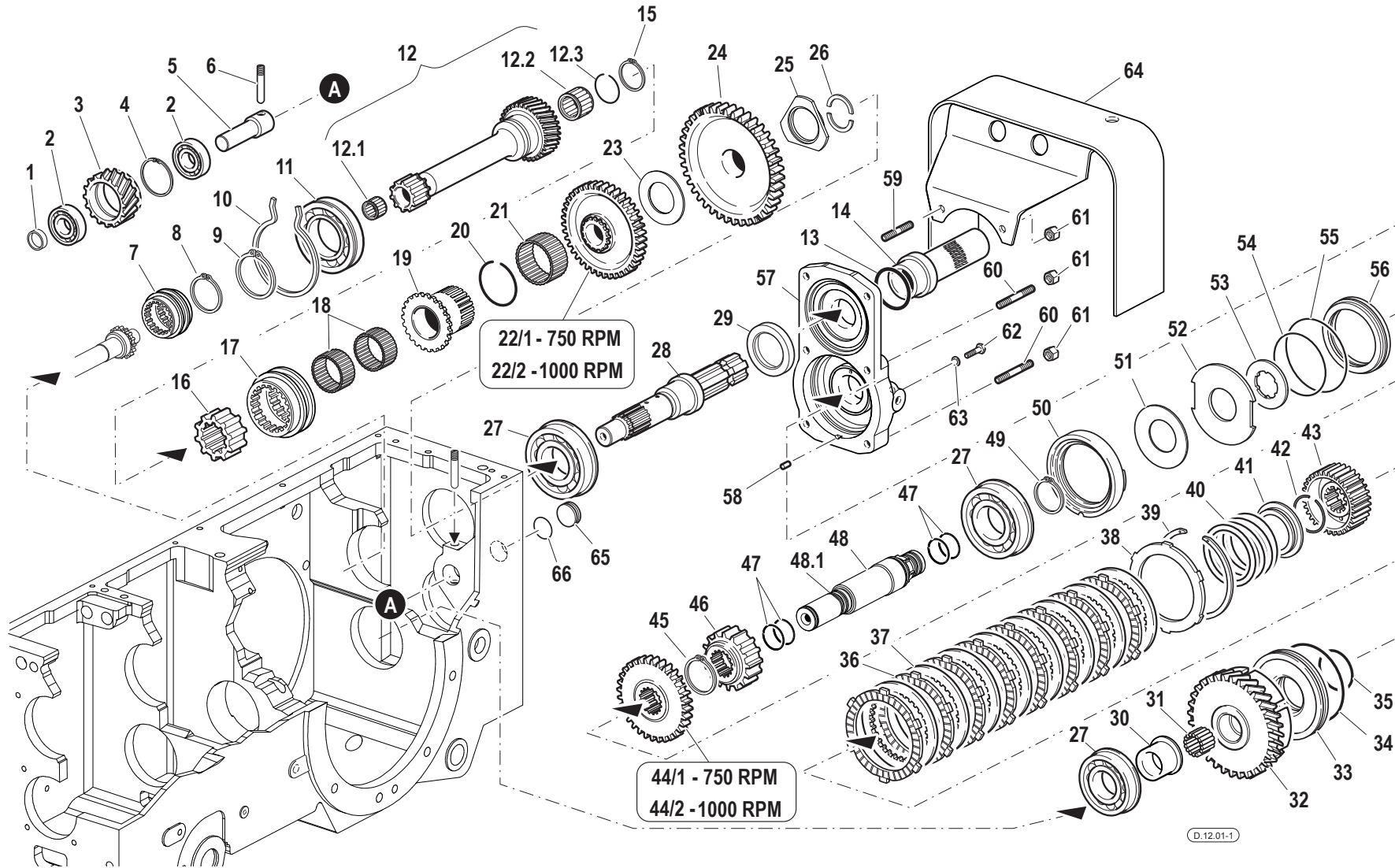
D.10.01-0

Pos.	Code	Q.ty	Description	Notes
1	F0802700150	1	SEAL 125x150x12	
2	F0812975250	2	CYL. ROLLER BEARING 32013X	
3	51172005	1	HUB	
4	58070071	1	RING	
5	52370075	1	FLANGE	
6	52370072	1	CROWN WHEEL	
7	56370079	1	RING NUT	
8	F0862478070	3	SCREW M8x16	
9	56170074	1	ADJUSTING RING	
10	56370076	6	SHIM	
11	52470087	3	PLANETARY GEAR	
12	58170070	3	ROLLER BEARING	
13	59070094	1	COVER	
14	F0862655000	4	SCREW M8X25-5933	
15	56370081	1	PLUG	
16	F0844273090	1	GASKET 22X28X1,5 CU 99,5	

DIFFERENTIAL LOCK



Pos.	Code	Q.ty	Description	Notes
1	52374641	1	SMALL BLOCK	
2	31152085	2	SCREW TCEI M8X25 UNI 5931	
3	31112161	2	SCREW TE M8X50 UNI 5737 8G	
4	F0803209000	1	O-RING	
5	56370187	1	PISTON	
6	58170195	2	GASKET	
7	56176127	1	BUSHING	
8	34213054	1	ROLL PIN	
9	56376256	1	LOCKING DEVICE	
10	51278573	1	FORK	
11	F0851267050	1	PIN 6X30 DIN 7343 CL:C72	
12	58070198	1	SPRING	
13	56370583	1	PISTON	
14	56370582	1	LOCKING DEVICE	
15	51270203	1	FORK	
16	F0851260000	1	PIN	
17	58070205	1	SPRING	



Pos.	Code	Q.ty	Description	Notes
1	56171572	1	SPACER	
2	F0812637000	2	BEARING 6204 (20x47x14)	
3	52476868	1	INTERMEDIATE WHEEL	
4	35111047	1	SEEGER RING	
5	56174108	1	GEAR PIN	
6	56370178	1	SCREW	
7	52470298	1	SLEEVE	
8	35121040	1	SEEGER RING	
9	F0801353000	1	SEEGER RING	
10	58170130	1	CIRCLIP	
11	F0812957010	1	BEARING 6210-N (50/90/20)	
12	59900376	1	PTO SHAFT	
12.1	F0812599086	1	BUSHING HK1816	
12.2	F0812689050	1	ROLLER CAGE K 25X33/20	
12.3	F0801248000	1	SAFETY RING	
13	P470433000000	1	PROTECTIVE RING	
14	P470330000000	1	GUARD	
15	F0801241010	1	SEEGER RING	
16	52476068	1	SLEEVE	
17	52476062	1	SHIFTING CLAW	
18	F0812784000	2	ROLLER CAGE K 32X37/27 H	
19	52478568	1	SHIFTING CLAW	
20	37931413	1	SAFETY RING	
21	F0812951300	1	ROLLER CAGE K 50X55/27 H	
22/1	52476065	1	DRIVEN GEAR	
22/2	52476066	1	DRIVEN GEAR	
23	56475568	1	SHIM	
24	52475991	1	DRIVEN GEAR	
25	56478567	1	SHIM	
26	56378566	2	HALF RING	
27	F0812918010	3	BEARING 6308-NR (40x90x23)	
28	52478565	1	PTO SHAFT	
29	F0802228005	1	SEAL 48x65/10	
30	56470987	1	BUSHING	

SERIAL
START
911149

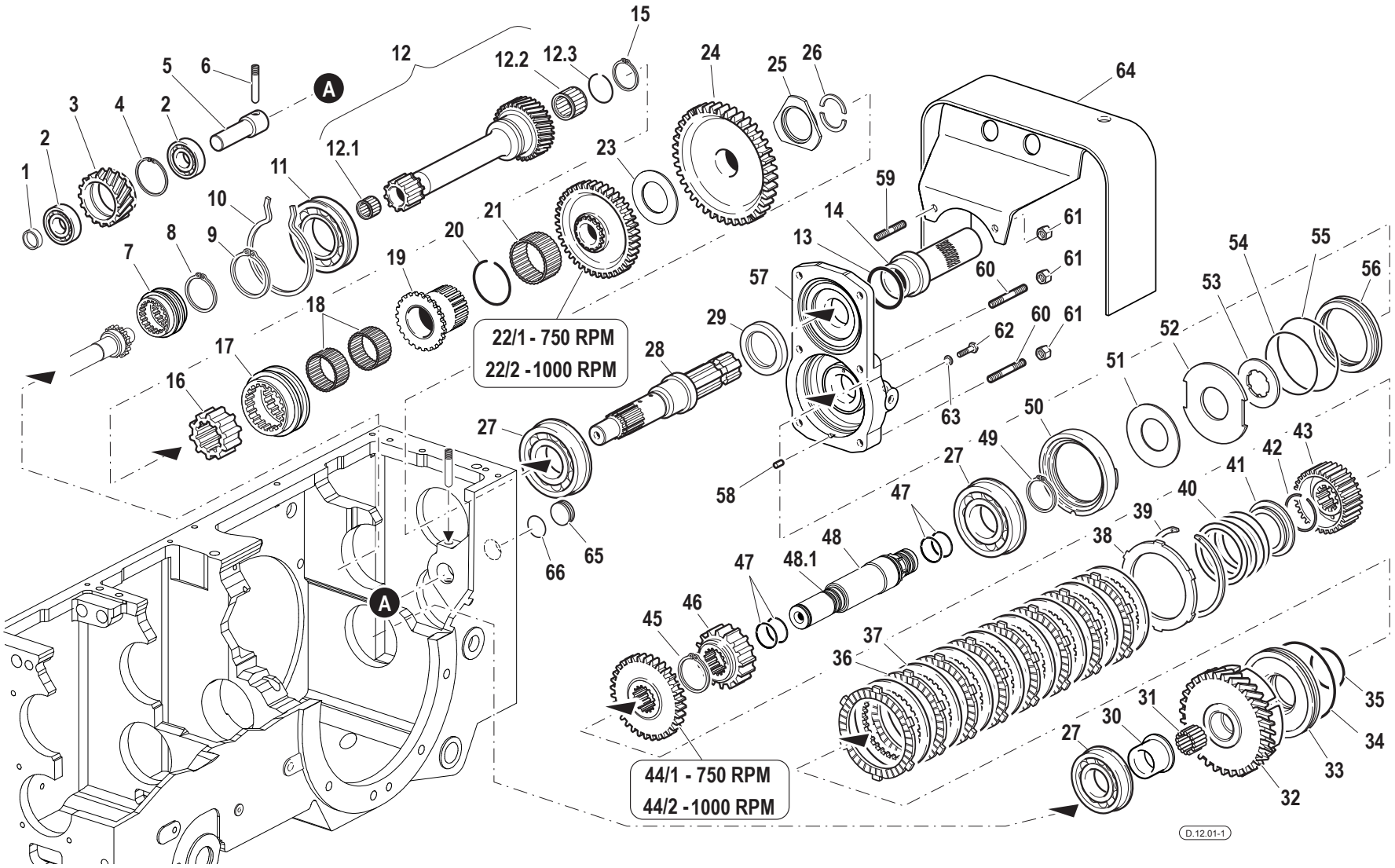
POWER TAKE-OFF

CODE REV

D.12.01_1_40279

POWER TAKE-OFF

SERIAL START 911149



Pos.	Code	Q.ty	Description	Notes
31	F0812736010	1	ROLLER CAGE K 30X35/20 H	
32	52475562	1	CLUTCH HOUSING	
33	53273886	1	PISTON	
34	58172400	1	GASKET	
35	58172402	1	GASKET	
36	58172447	8	DISC	
37	58172448	8	DISC	
38	52372292	1	RING	
39	58072389	1	CIRCLIP	
40	58074092	1	RESTORING SPRING	
41	56372282	1	RING	
42	58072399	1	SAFETY RING	
43	52475565	1	DISC HUB	
44/1	52475994	1	GEAR	
44/2	52475996	1	GEAR	
45	F0801282050	1	SEEGER RING	
46	52475992	1	GEAR	
47	58072398	4	SEAL	
48	59276076	1	SHAFT	
48.1	F0852578060	2	CONICAL PLUG	
49	F0801297050	1	SEEGER RING	
50	56475516	1	SPACER	
51	58073889	1	CUP SPRING	
52	56475517	1	BRAKE DISC	
52	56475518	1	CLUTCH DISC	
52	56473890	1	BRAKE DISC	
52	56474713	1	BRAKE DISC	
52	56474714	1	BRAKE DISC	
53	56475844	1	CLUTCH DISC	
54	38116317	1	RING	
55	38118720	1	O-RING	
56	53273891	1	PISTON	
57	59377433	1	COVER	
58	F0851226000	1	PIN 6X12 UNI 1707 CL:C20	

SERIAL
START
911149

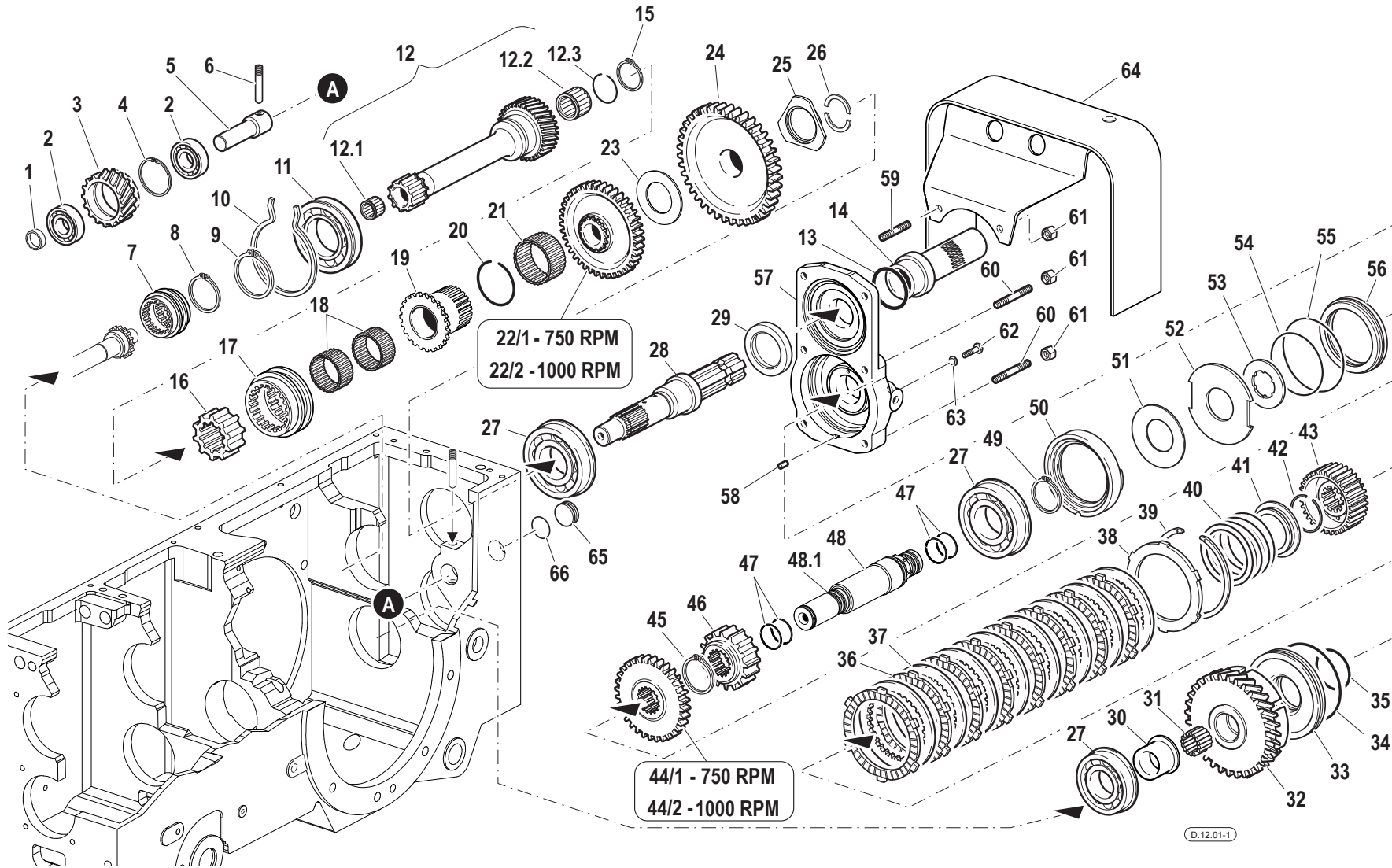
POWER TAKE-OFF

CODE REV

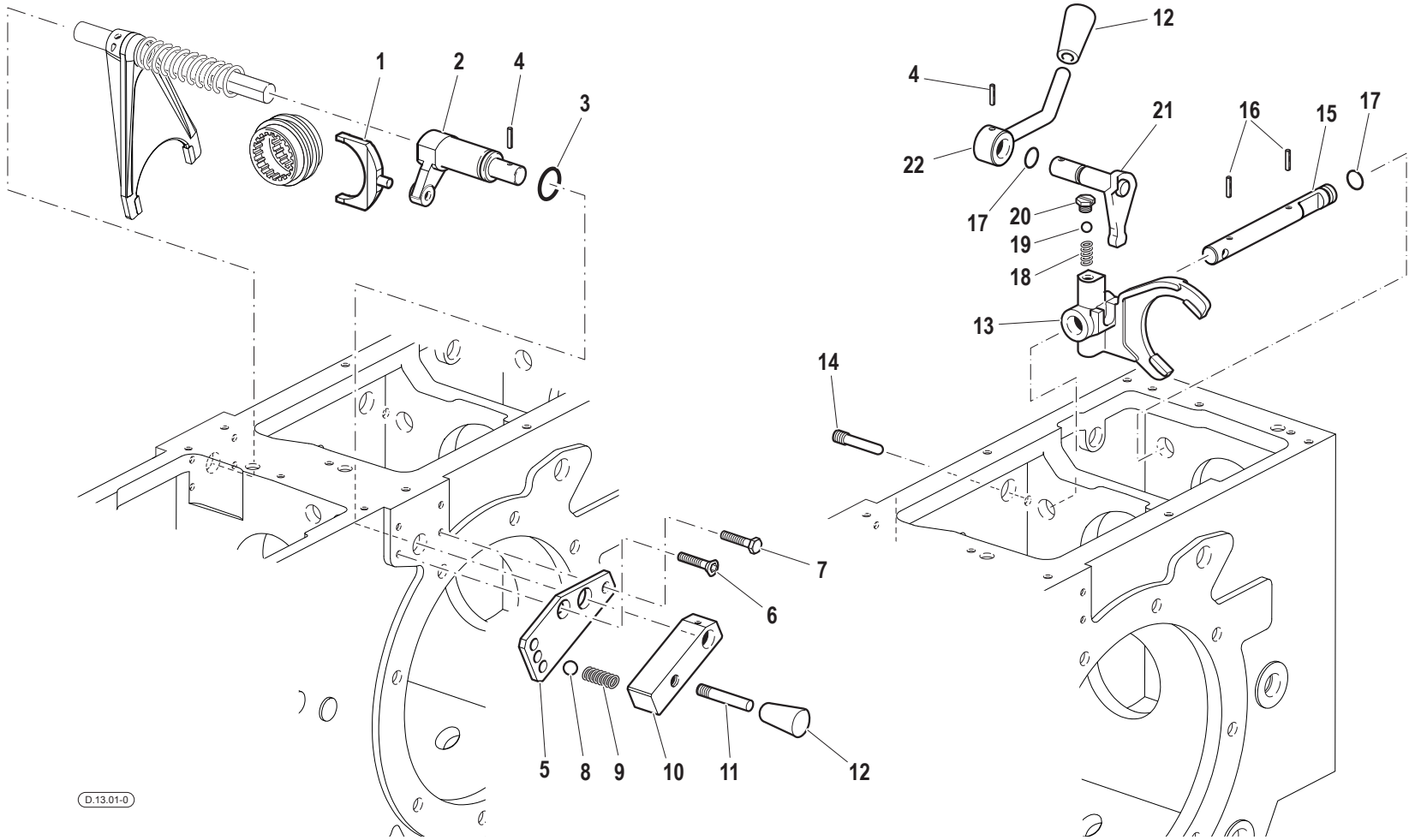
D.12.01_1_40279

POWER TAKE-OFF

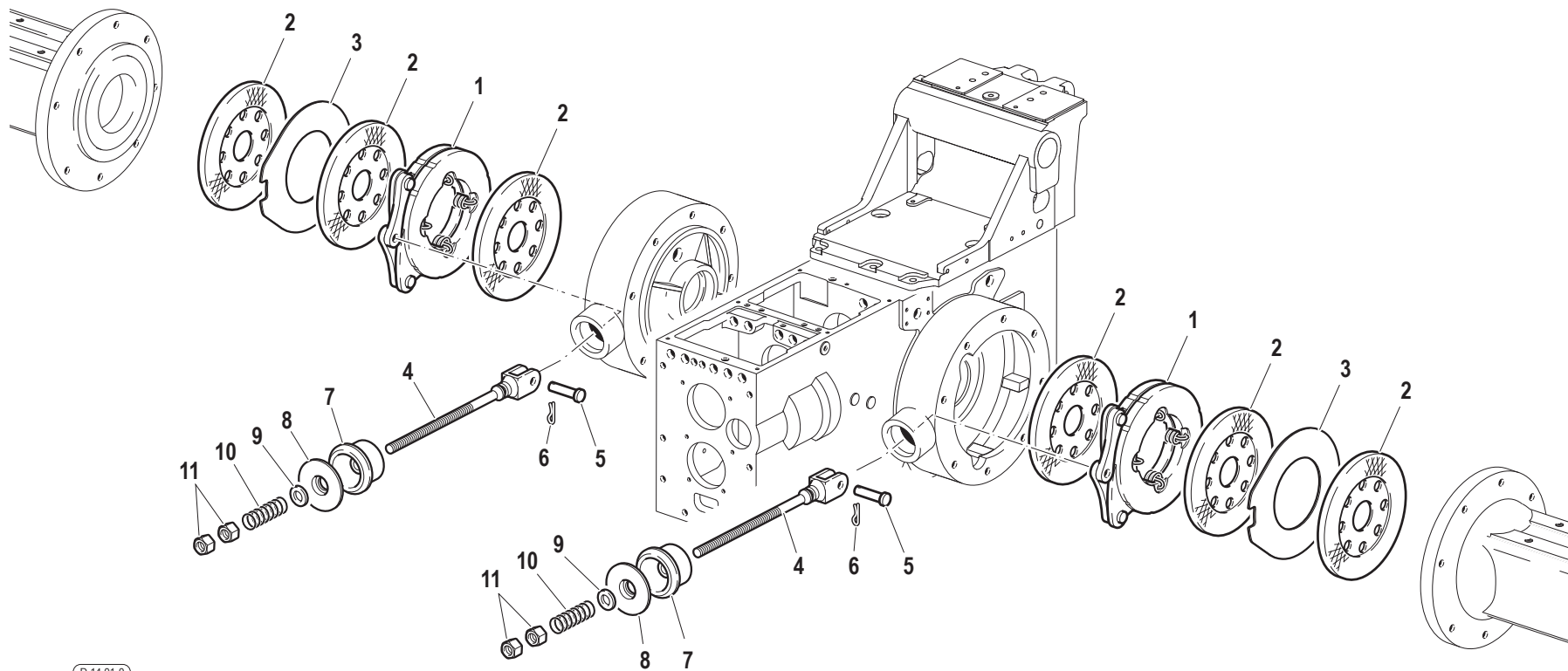
SERIAL START 911149



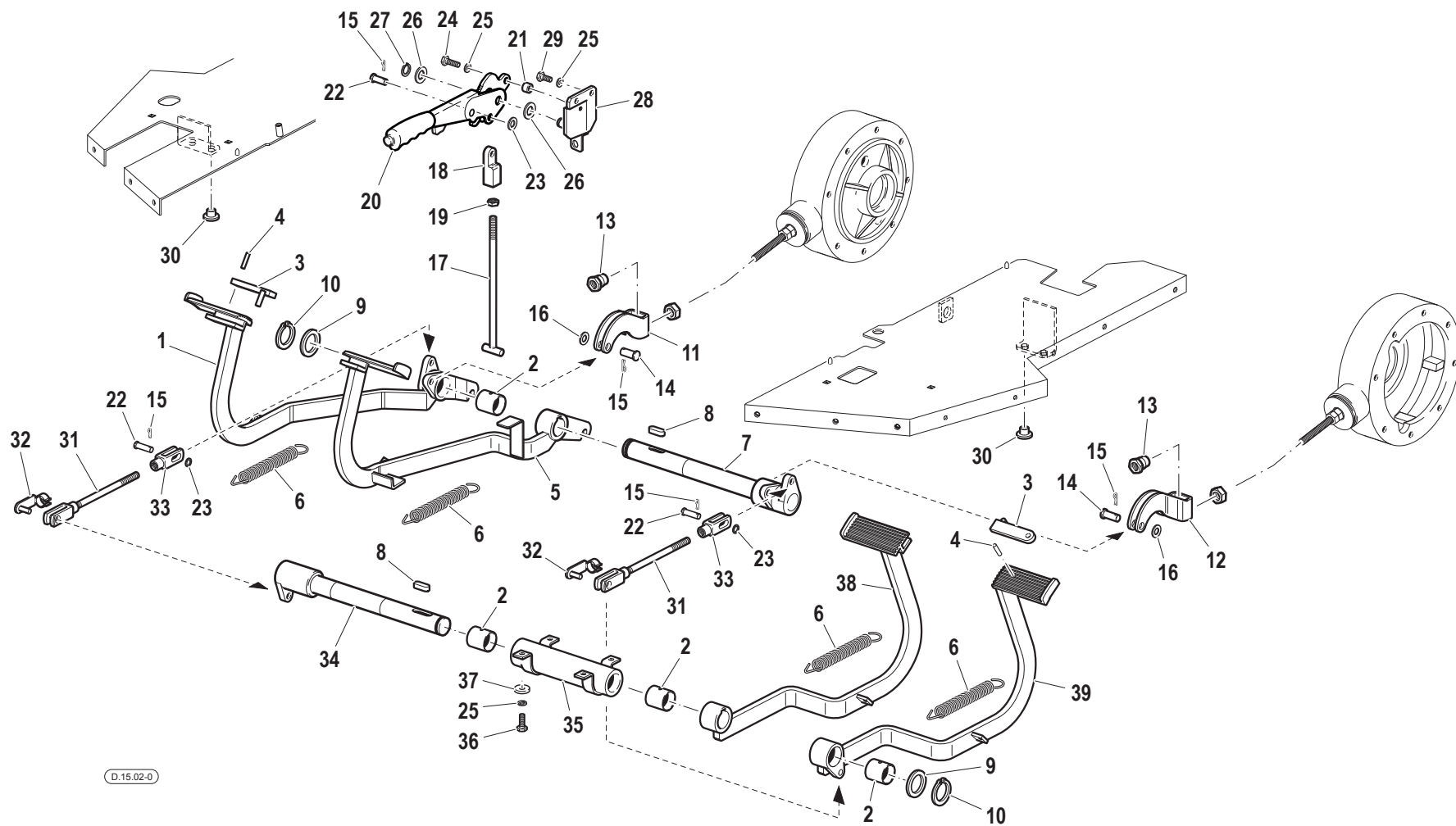
Pos.	Code	Q.ty	Description	Notes
59	F0838154010	2	STUD BOLT M8X25 UNI 5911 8.8	
60	31312089	4	STUD BOLT M8x52x14x18	
61	31211080	6	NUT M8	
62	F0862448100	1	SCREW M8X10 UNI 5740	
63	F0843641000	1	COPPER WASHER 8x14/1,5	
64	59074993	1	P.T.O. PROTECTION	
65	56074313	1	PLUG	
66	F0803199010	1	O-RING	



Pos.	Code	Q.ty	Description	Notes
1	56470299	1	SELECTOR FORK	
2	52370152	1	LEVER	
3	38112200	1	O-RING	
4	34211054	1	ROLL PIN	
5	56374430	1	PLATE	
6	31132566	1	SCREW TSVEI M8X20 UNI 5933	
7	31112150	1	SCREW TE M8X20 UNI 5739 8G	
8	F0847462000	1	BALL RB-11.112	
9	F0831047000	1	SPRING	
10	56174431	1	LEVER	
11	56170447	1	TIP	
12	F0828468050	2	GRIP	
13	51275570	1	SELECTOR FORK	
14	56370178	1	SCREW	
15	56375571	1	ROD	
16	F0851180000	2	PIN 5X26 DIN 1481 CL:C72	
17	38111078	2	O-RING	
18	58070741	2	SPRING	
19	F0847434000	2	BALL	
20	56076055	1	PLUG	
21	59075572	1	LEVER	
22	59078865	1	LEVER	



Pos.	Code	Q.ty	Description	Notes
1	58170045	2	BRAKE	
2	58170703	6	BRAKE DISC	
3	58171019	2	SHIM	
4	56370038	2	ROD	
5	56470231	2	PIN	
6	F0810510000	2	SPLIT PIN A2,0X20 UNI 1336	
7	55170047	2	BOOT	
8	56170043	2	COVER	
9	31411130	2	WASHER 13x24	
10	58070366	2	RETAINING SPRING	
11	31231120	4	NUT M12	



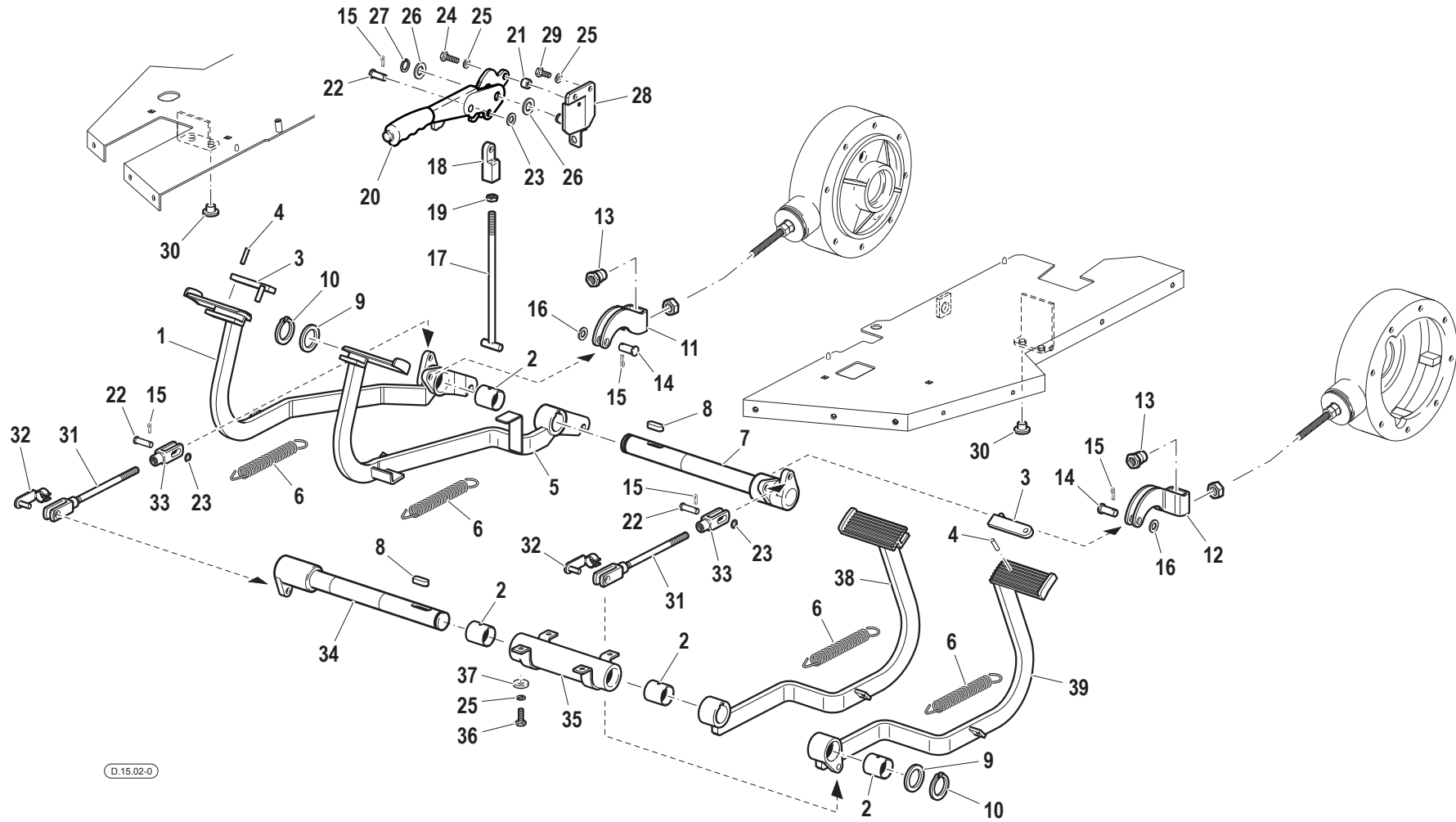
Pos.	Code	Q.ty	Description	Notes
1	59070325	1	BRAKE PEDAL	
2	58170026	4	BUSHING	
3	59070398	2	SMALL PLATE	
4	F0851262000	2	PIN 6X26 DIN 7343 CL:C72	
5	59070323	1	BRAKE PEDAL	
6	58070790	4	RESTORING SPRING	
7	59070333	1	SHAFT	
8	34321066	2	KEY A10X8X30 UNI 6604	
9	56170367	2	SHIM	
10	F0801241010	2	SEEGER RING	
11	56170795	1	RIGHT YOKE	
12	56170796	1	LEFT BRACKET	
13	52373177	2	NUT	
14	56470797	2	PIN	
15	F0810510000	5	SPLIT PIN A2,0X20 UNI 1336	
16	31411130	2	WASHER 13x24	
17	52375215	1	HANDBRAKE TIE-ROD	
18	56371721	1	SMALL BLOCK	
19	F0814627000	1	NUT M10	
20	58178960	1	HANDBRAKE LEVER	
21	56171936	1	SPACER	
22	56470365	3	PIN	
23	31411105	3	WASHER 10,5x21	
24	31112151	1	SCREW TE M8X25 UNI 5739 8G	
25	F0843643060	7	WASHER 8	
26	31411150	2	WASHER 15x28	
27	F0801095000	1	SEEGER RING	
28	59074459	1	RETAINER	
29	31112147	2	SCREW TE M8X18 UNI 5739 8G	
30	F0822537050	4	BUFFER	
31	59073242	2	ROD	
32	F0860091020	2	PIN	
33	50970418	2	FORK	
34	59074561	1	SHAFT	

SERIAL

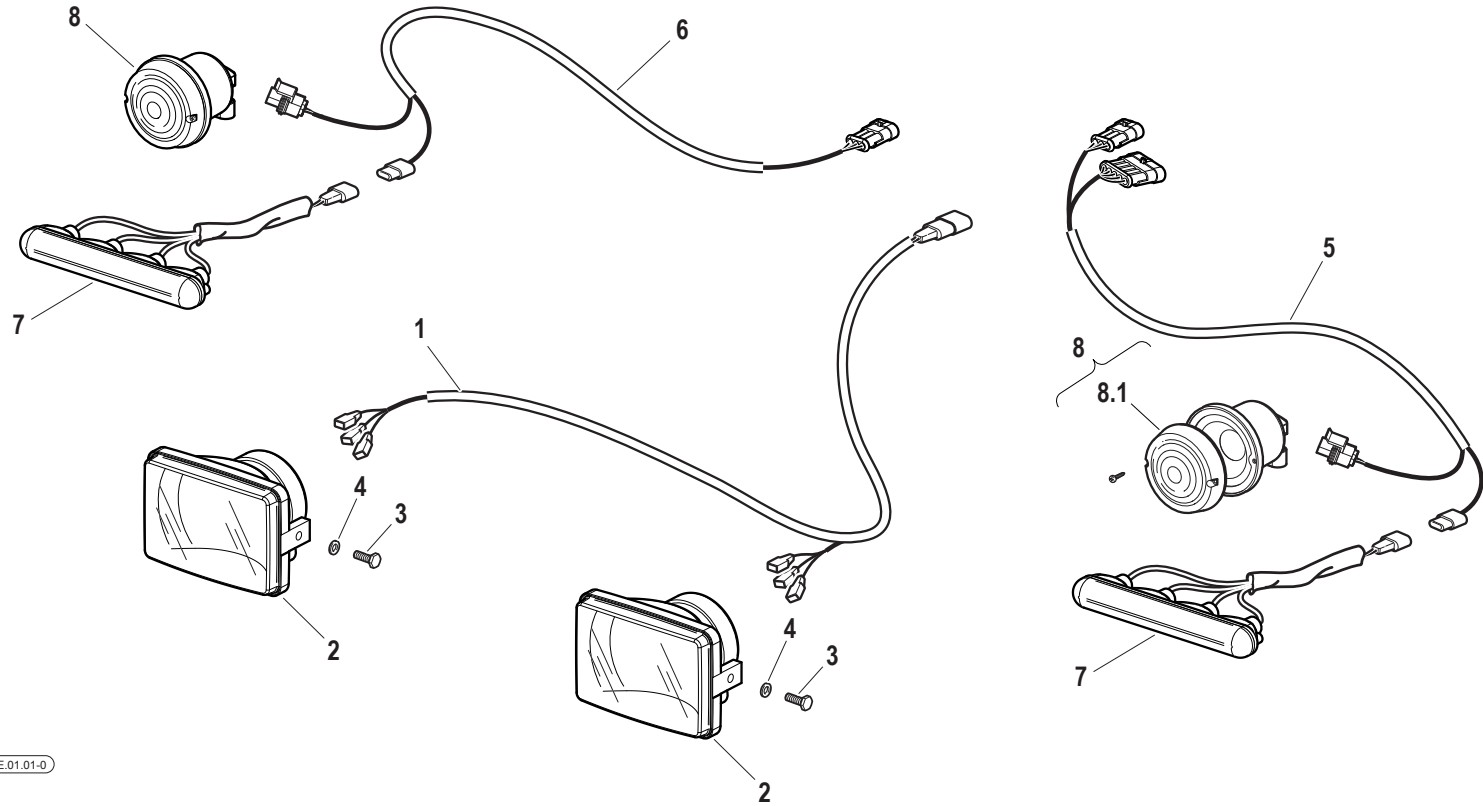
BRAKES CONTROLS

CODE REV

D.15.02_0_40421

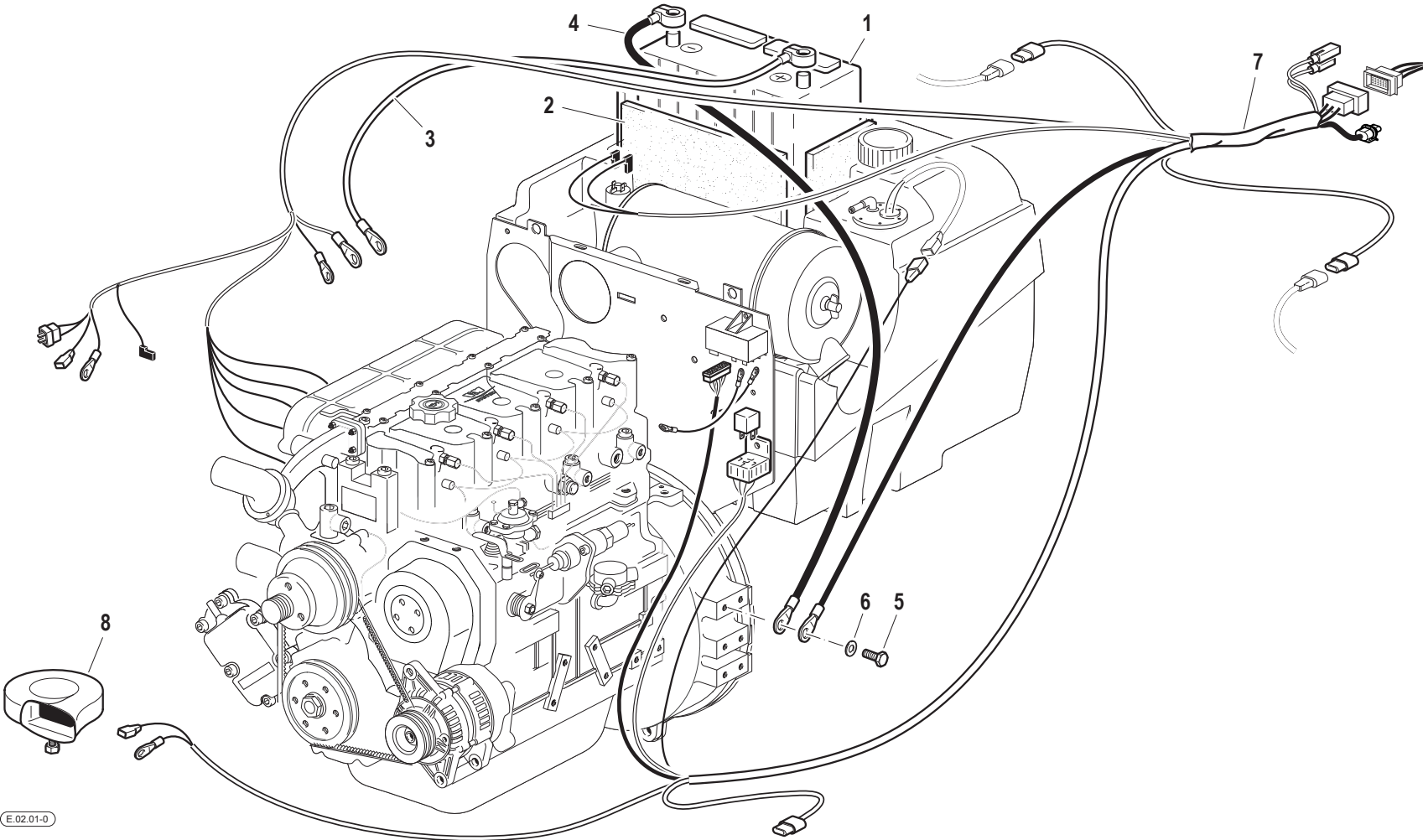


Pos.	Code	Q.ty	Description	Notes
35	59070051	1	PIPE	
36	31112146	4	SCREW TE M8X22 UNI 5739 8G	
37	F0843711000	4	WASHER D.24x8,5/4	
38	59074701	1	BRAKE PEDAL	
39	59074702	1	BRAKE PEDAL	

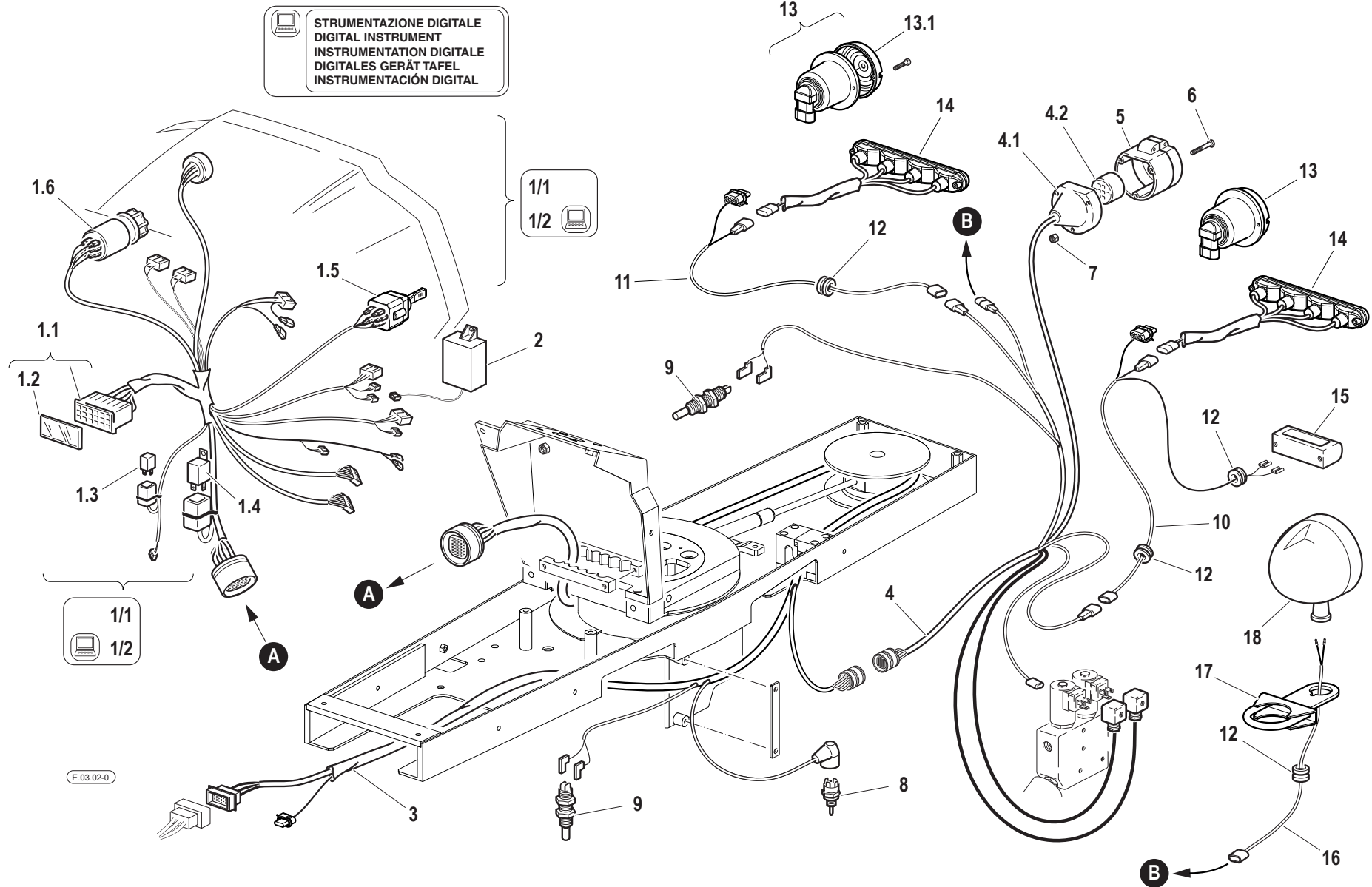


E.01.01-0

Pos.	Code	Q.ty	Description	Notes
1	58074904	1	CABLE	
2	58179010	2	OPTICAL GROUP	
3	31112082	4	SCREW TE M6X12 UNI 5739 8G	
4	31411064	4	WASHER 6,4x12,5	
5	58079395	1	CABLE	
6	58079394	1	CABLE	
7	58176406	2	INDICATOR	
8	58179413	2	POSITION LIGHT	
8.1	59901086	2	VETRO BIANCO FARO ANT.03438001	

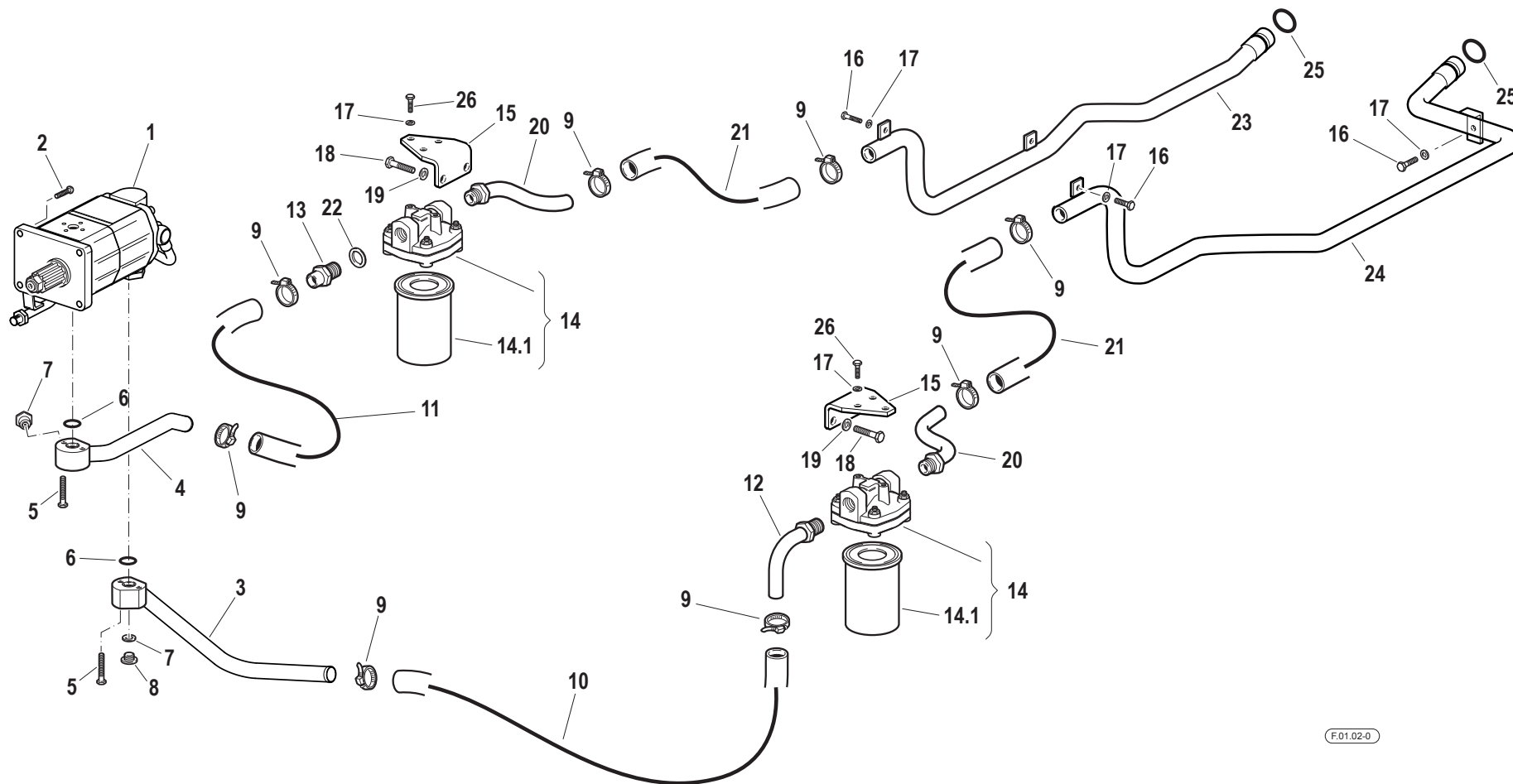


Pos.	Code	Q.ty	Description	Notes
1	F0825480100	1	BATTERY	
2	F0190018909	1	LINING	
3	58071313	1	CABLE	
4	58072081	1	CABLE	
5	31112210	1	SCREW TE M10X20 UNI 5739	
6	F0843755000	1	WASHER 10	
7	58079755	1	CABLE	
8	F0825417000	1	HORN	



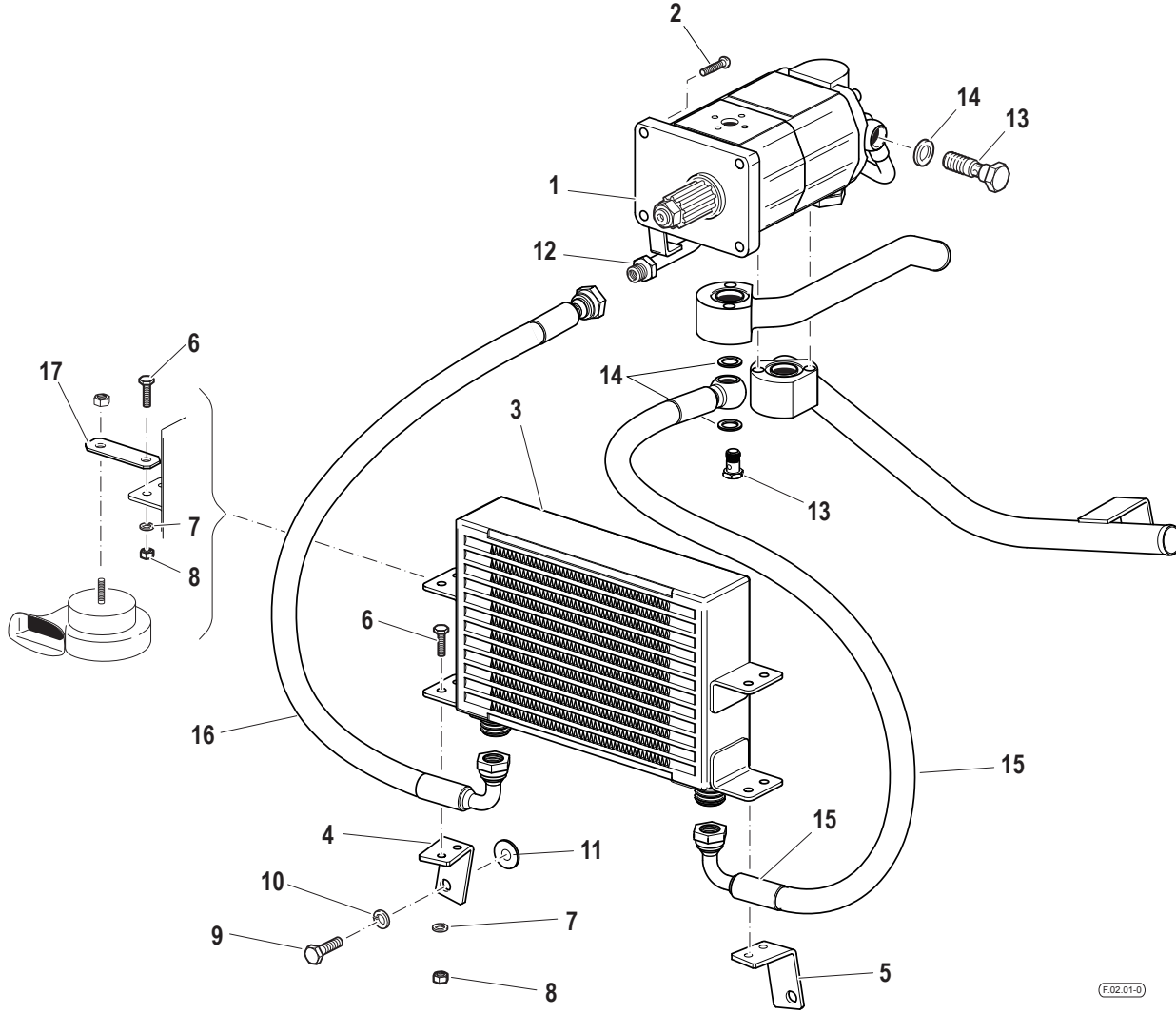
Pos.	Code	Q.ty	Description	Notes
1/1	58077601	1	CABLE	
1.1	58170453	1	FUSE BOX	
1.2	58172267	1	COVER	
1/2	58077602	1	CABLE	
1.3	59900242	1	RELAY	
1.4	F0825139000	1	FLASHER	
1.5	F0825436000	1	SWITCH	
1.6	F0825436003	1	SWITCH	
2	58175700	1	SWITCHING CONTROL UNIT	
3	58079392	1	CABLE	
4	58079393	1	CABLE	
4.1	58170572	1	CAP	
4.2	58170571	1	ATTACHMENT PLUG	
5	F0825438000	1	SOCKET	
6	F0861941000	3	SCREW	
7	31211050	3	NUT M5	
8	30000638	1	SWITCH	
9	F0825488000	2	SWITCH	
10	58077061	1	CABLE	
11	58077062	1	CABLE	
12	58171901	4	CABLE GLAND 15,5-24-32-2	
13	58176396	2	LAMP	
13.1	59901087	2	REAR LIGHT GLASS	
14	58176406	2	INDICATOR	
15	30000506	1	LAMP	
16	58077305	1	CABLE	
17	59077242	1	SUPPORT	
18	F0825493000	1	HEADLIGHT	

HYDR. SYSTEM DOUBLE OIL SUCTION



Pos.	Code	Q.ty	Description	Notes
1	58179463	1	LIFT PUMP	
2	31152083	4	SCREW TCEI M8X30 UNI 5931	
3	59079479	1	SUCTION PIPE	
4	59076211	1	SUCTION PIPE	
5	F0862796000	4	SCREW M8X40 UNI 5931	
6	38112200	2	O-RING	
7	F0852538050	1	PLUG	
8	F0843907000	1	COPPER WASHER 13,66x19/1,5	
9	F0817503000	8	CLAMP 037,6-906R	
10	58173505	1	FLEXIBLE HOSE	
11	58176337	1	SUCTION PIPE	
12	59076213	1	PIPE	
13	56170350	1	PIPE FITTING	
14	58175014	2	FILTER	
14.1	F0825718020	2	FILTER INSERT	
15	56174725	2	OIL FILTER BRACKET	
16	31111151	4	SCREW TE M8X16 UNI 5739 8G	
17	F0843643060	12	WASHER 8	
18	31112210	4	SCREW TE M10X20 UNI 5739	
19	F0843755000	4	WASHER 10	
20	59076212	2	PIPE	
21	58176336	2	SUCTION PIPE	
22	F0824185000	1	COPPER WASHER 26X34X1,5	
23	59077778	1	SUCTION PIPE	
24	59077779	1	SUCTION PIPE	
25	38113142	2	O-RING	
26	31112150	4	SCREW TE M8X20 UNI 5739 8G	

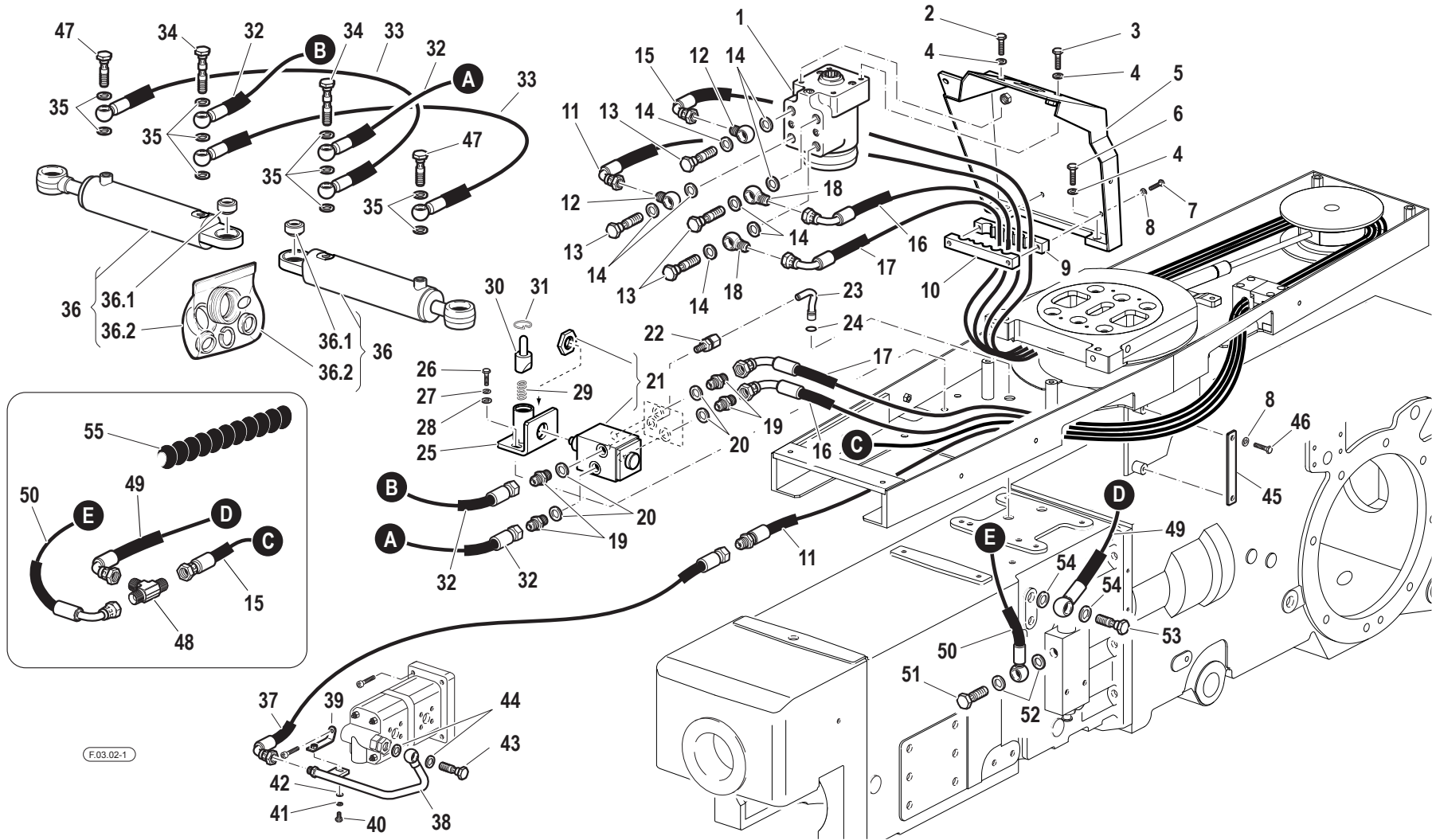
HYDR. SYSTEM : HEAT EXCHANGER



Pos.	Code	Q.ty	Description	Notes
1	58179463	1	LIFT PUMP	
2	31152083	4	SCREW TCEI M8X30 UNI 5931	
3	58177182	1	OIL EXCHANGER	
4	56174987	1	RIGHT YOKE	
5	56174988	1	LEFT BRACKET	
6	31112090	4	SCREW TE M6X16 UNI 5739 8G	
7	F0843570000	4	WASHER 6	
8	31211060	4	HEXAGONAL NUT M8	
9	31112210	2	SCREW TE M10X20 UNI 5739	
10	F0843755000	2	WASHER 10	
11	F0843815000	2	WASHER D.24x10,5/4	
12	59079478	1	PRESSURE PIPE	
13	56172547	1	THREADED TERMINAL END	
14	F0824113000	2	COPPER WASHER 18X24/1,5	
15	58076333	1	FLEXIBLE HOSE	
16	58076334	1	FLEXIBLE HOSE	
17	56175294	1	BRACKET	

STEERING HYDR. SYSTEM

SERIAL START 914705



Pos.	Code	Q.ty	Description	Notes
1	58178954	1	HYDROSTEERING	
2	31112210	1	SCREW TE M10X20 UNI 5739	
3	31112219	3	SCREW TE M10X25 UNI 5739	
4	F0843755000	6	WASHER 10	
5	59074332	1	SUPPORT	
6	31112211	2	SCREW TE M10X30 UNI 5739	
7	31112092	2	SCREW TE M6X35 UNI 5739 8G	
8	F0843570000	4	WASHER 6	
9	56174481	1	COMB	
10	56174480	1	COMB	
11	58074836	1	FLEXIBLE HOSE	
12	F0842512000	2	PIPE FITTING	
13	F0843116000	4	PIPE FITTING 1/2	
14	F0824141000	8	COPPER WASHER 21x27/1,5	
15	58079433	1	FLEXIBLE HOSE	
16	58074891	1	FLEXIBLE HOSE	
17	58074740	1	FLEXIBLE HOSE	
18	F0835040030	2	PIPE FITTING	
19	F0835031010	4	NIPPLE	
20	F0843907000	4	COPPER WASHER 13,66x19/1,5	
21	P227332000000	1	D.A. VALVE	
22	58174547	1	NIPPLE	
23	59074546	1	EXHAUST	
24	F0803050000	1	O-RING	
25	59074482	1	PLATE	
26	31112150	2	SCREW TE M8X20 UNI 5739 8G	
27	F0843643060	2	WASHER 8	
28	31411084	2	WASHER 8,4x17	
29	58077413	1	SPRING	
30	56174485	1	CURSOR	
31	F0801163000	1	SEEGER RING	
32	58074734	2	FLEXIBLE HOSE	
33	58074733	2	CONNECTION PIPE	
34	30000211	2	HOLLOW SCREW M14X1,5	

SERIAL
START
914705

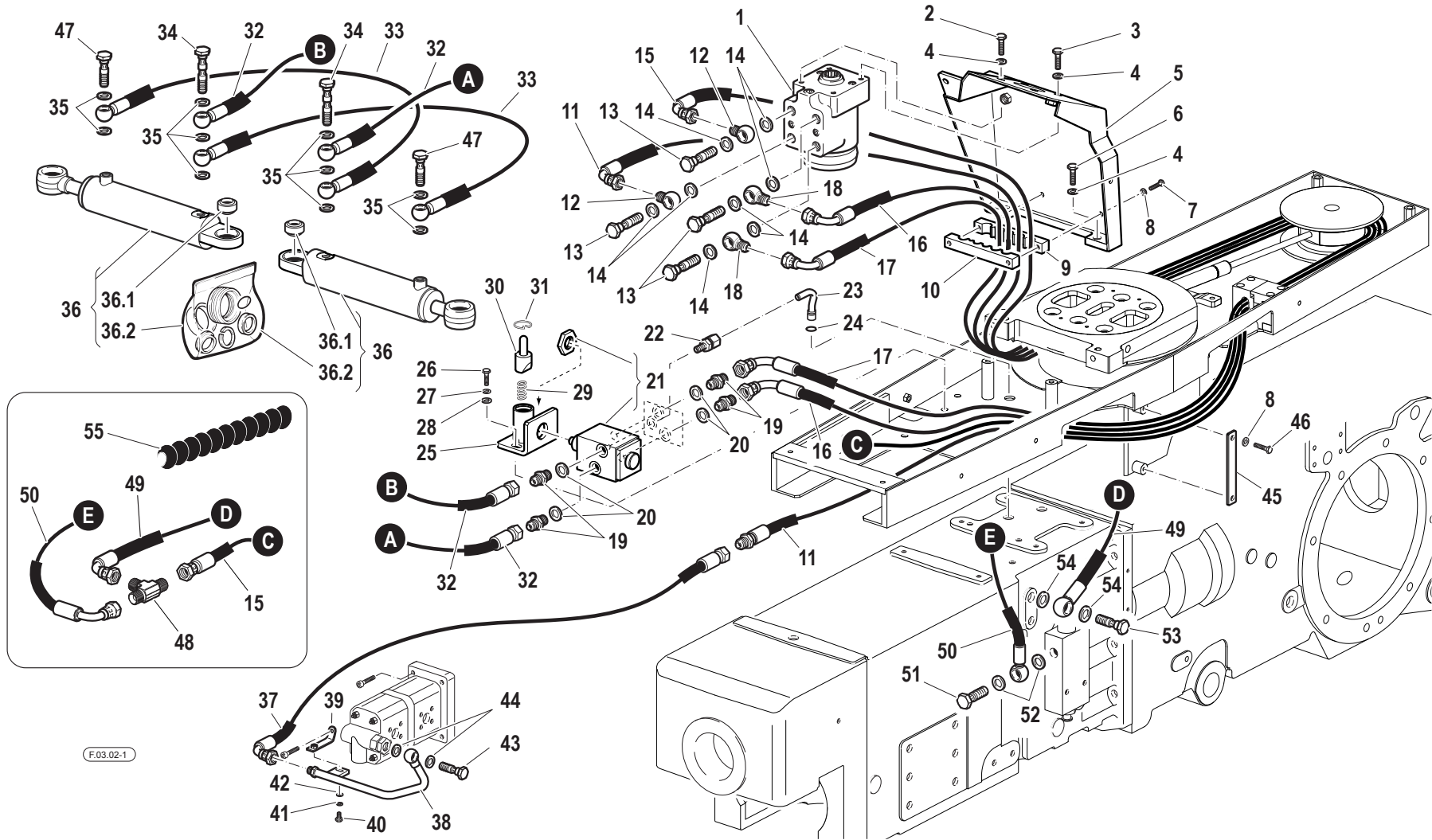
STEERING HYDR. SYSTEM

CODE REV

F.03.02_1_40650

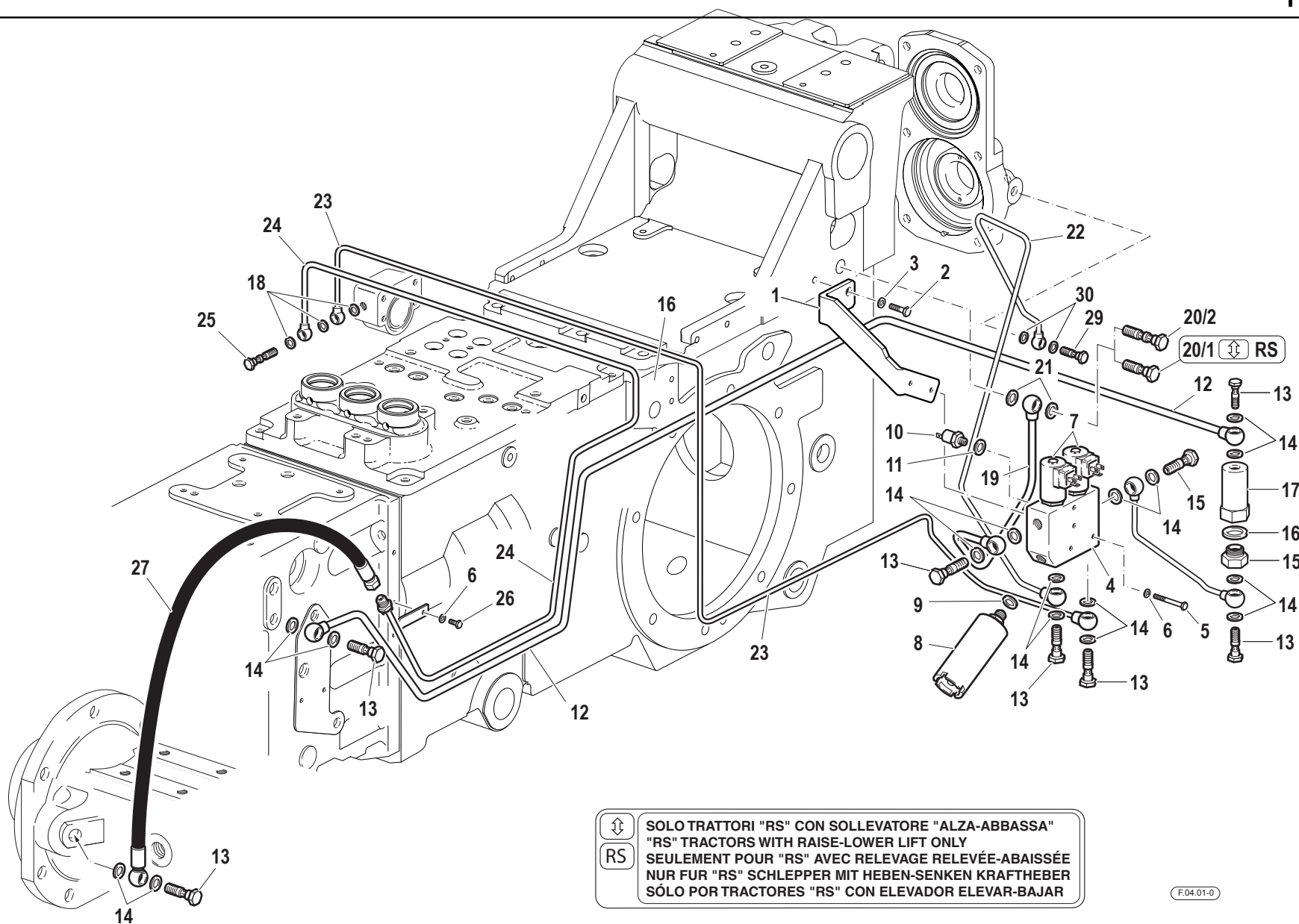
STEERING HYDR. SYSTEM

SERIAL START 914705



F.03.02-1

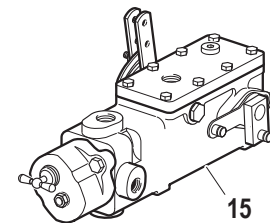
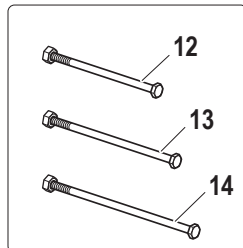
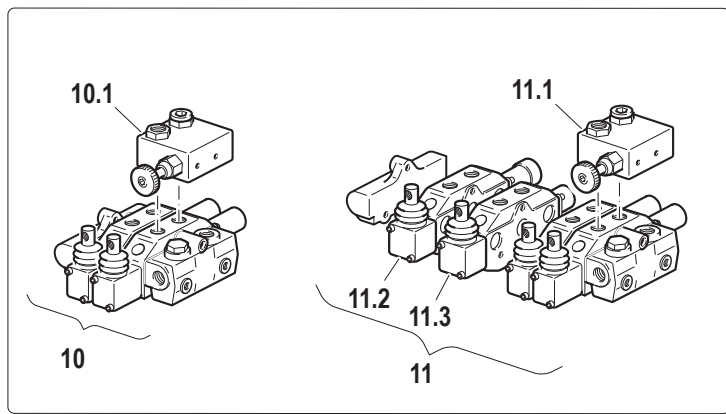
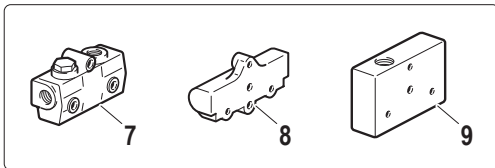
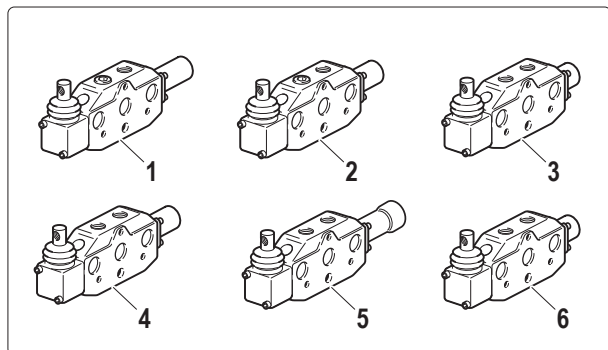
Pos.	Code	Q.ty	Description	Notes
35	F0843948000	10	COPPER WASHER 14,0x20/1,5	
36	58174710	2	STEERING CYLINDER	
36.1	58171739	1	BALL JOINT	
36.2	59900339	1	GASKET SET	
37	58075248	1	FLEXIBLE HOSE	
38	59075224	1	PRESSURE PIPE	
39	59075225	1	FIXING BRACKET	
40	31112090	1	SCREW TE M6X16 UNI 5739 8G	
41	F0843570000	1	WASHER 6	
42	31411064	1	WASHER 6,4x12,5	
43	F0843110010	1	THREADED TERMINAL END M18x1,5	
44	F0824113000	2	COPPER WASHER 18X24/1,5	
45	56174494	1	SMALL PLATE	
46	F0862129000	2	SCREW M6X18 UNI 5739 8.8	
47	F0843109000	2	PIPE FITTING 14x1,5	
48	30000795	1	ADATT.3 VIE 3/8 OR:TI05060606	
49	58079435	1	PRESSURE HOSE	
50	58079434	1	PRESSURE HOSE	
51	F0843107000	1	PIPE FITTING GAS 1/4	
52	F0843907000	2	COPPER WASHER 13,66x19/1,5	
53	F0843109020	1	PIPE FITTING	
54	F0824110000	2	COPPER WASHER 3/8 GAS	
55	F0256909000	1	GUARD	



Pos.	Code	Q.ty	Description	Notes
1	56174665	1	SUPPORT	
2	31112150	2	SCREW TE M8X20 UNI 5739 8G	
3	F0843643060	2	WASHER 8	
4	56172749	1	SMALL BLOCK	
5	F0862345000	2	SCREW M6X40 UNI 5737	
6	F0843570000	3	WASHER 6	
7	58172463	2	ELECTRO VALVE	
8	59271011	1	UNIT	
9	F0843948000	1	COPPER WASHER 14,0x20/1,5	
10	58173399	1	PRESSURE SWITCH	
11	F0843841000	1	COPPER WASHER 12,0x18/1,5	
12	59075678	1	PRESSURE PIPE	
13	F0843107000	8	PIPE FITTING GAS 1/4	
14	F0843907000	16	COPPER WASHER 13,66x19/1,5	
15	58175677	1	HEAD	
16	F0824185000	1	COPPER WASHER 26X34X1,5	
17	58175676	1	BODY	
18	F0843771000	3	COPPER WASHER 10,0x16/1	
19	59074744	1	EXHAUST	
20/1	F0843109020	1	PIPE FITTING	
20/2	58170693	1	PIPE FITTING	
21	F0824110000	2	COPPER WASHER 3/8 GAS	
22	59075917	1	PRESSURE PIPE	
23	59074748	1	PRESSURE PIPE	
24	59074749	1	PRESSURE PIPE	
25	58174732	1	HOLLOW SCREW	
26	31111090	1	SCREW	
27	58074736	1	FLEXIBLE HOSE	
28	59075679	1	PIPE	
29	56178695	1	THREADED TERMINAL END	
30	P254124000000	2	WASHER	



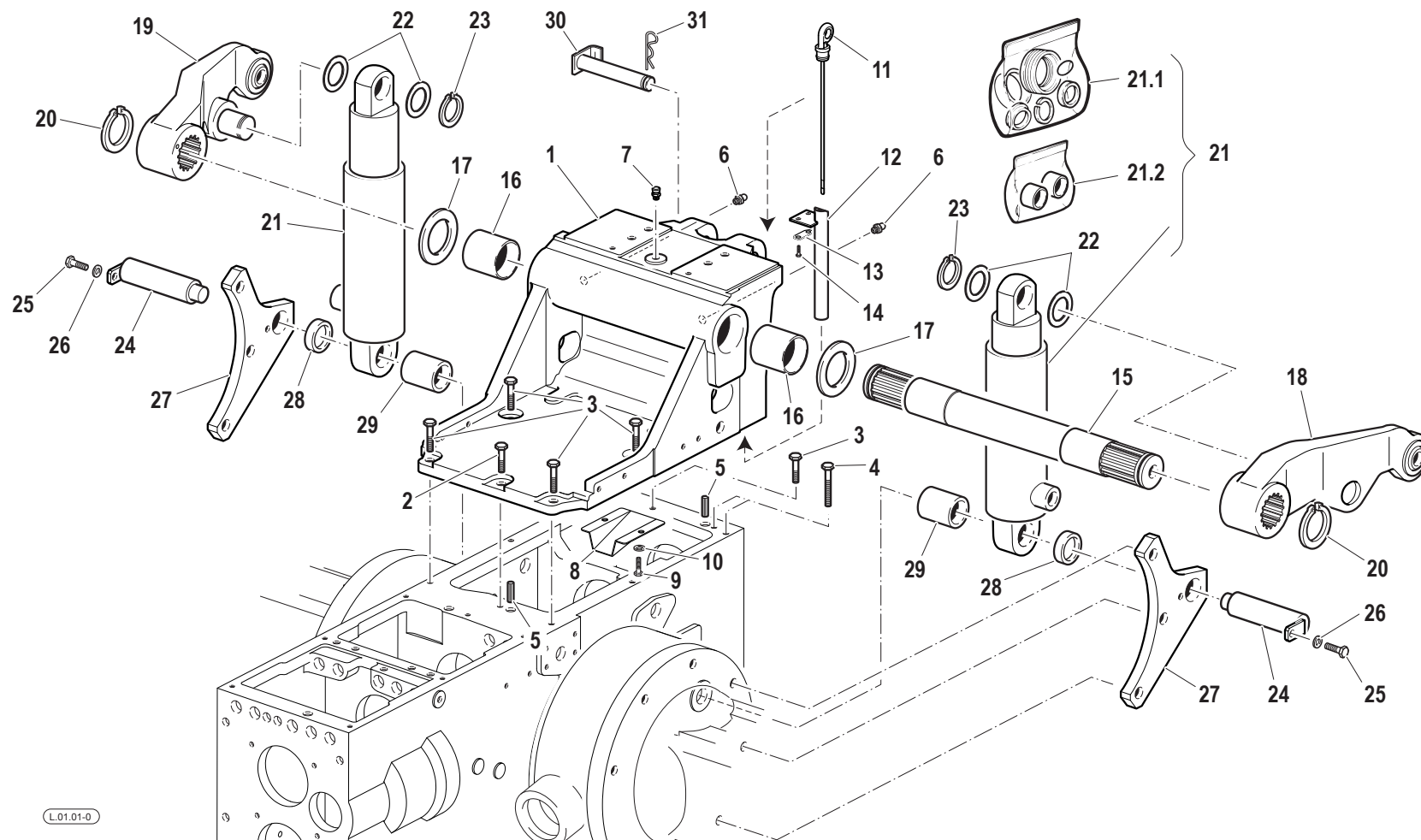
- VEDI TAVOLE GRUPPI...
- SEE TABLES OF GROUPS...
- VOIR TABLES GROUPES...
- SIEHE GRUPPETAFFEL...
- MIRAR TABLAS GRUPOS...



VEDI TAVOLE GRUPPO...
SEE TABLES OF GROUP...
VOIR TABLES GROUPE...
SIEHE GRUPPETAFFEL...
MIRAR TABLAS GRUPO...



Pos.	Code	Q.ty	Description	Notes
1	58172011	1	S.A. VALVE	
2	58172707	1	S.A. VALVE	
3	58172012	1	D.A. VALVE	
4	58172013	1	D.A. VALVE	
5	58172014	1	D.A. VALVE	
6	58172240	1	D.A. VALVE	
7	58172304	1	HEAD	
8	58172489	1	COVER	
9	58173361	1	COVER	
10	58171925	1	FLOATING DEVICE GROUP	
10.1	59900230	1	VALVE	
11	58174974	1	FLOATING DEVICE GROUP	
11.1	59900230	1	VALVE	
11.2	58172014	1	D.A. VALVE	
11.3	58172240	1	D.A. VALVE	
12	58172016	1	ROD	
13	58172017	1	ROD	
14	58172018	1	ROD	
15	58175191	1	DISTRIBUTOR	



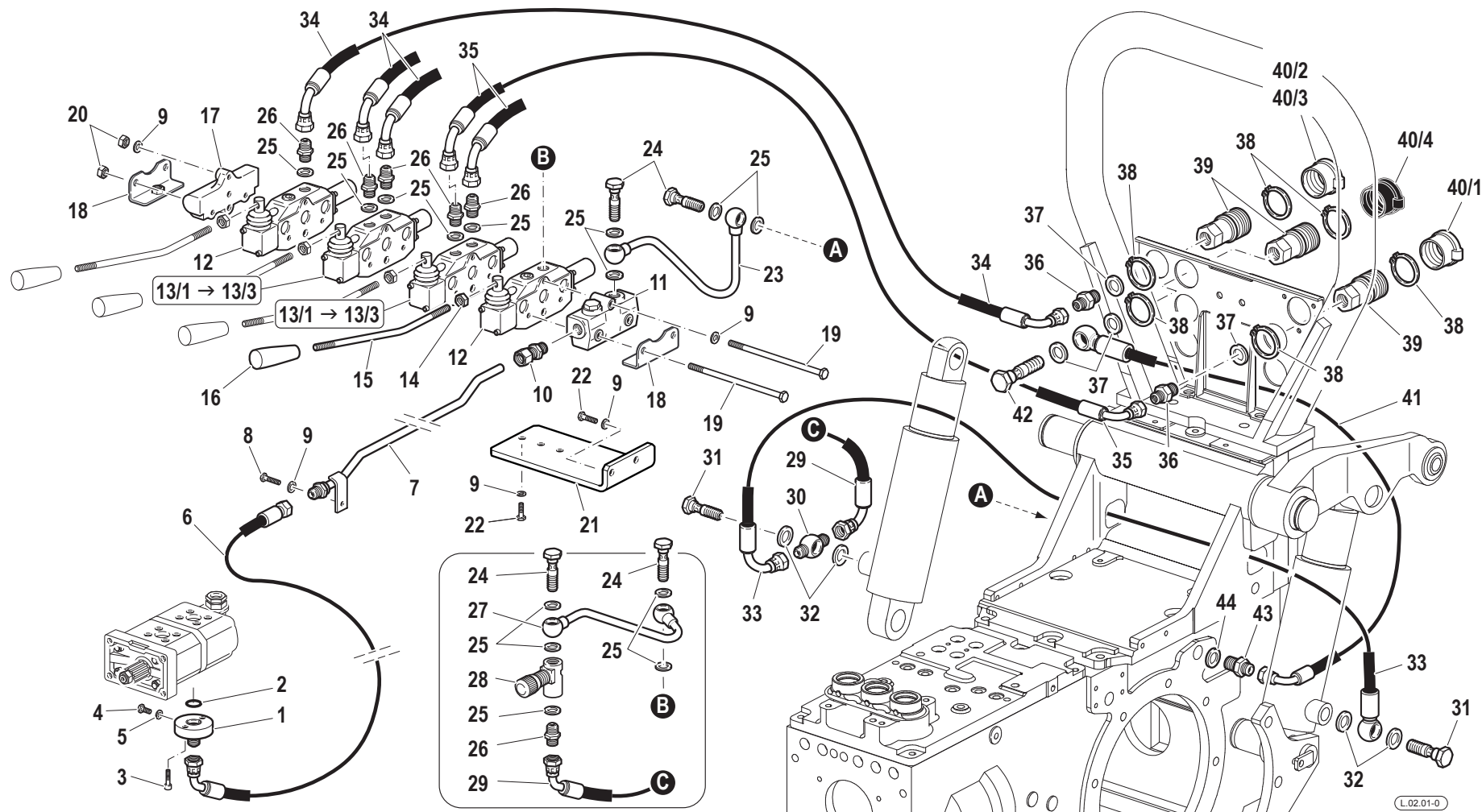
Pos.	Code	Q.ty	Description	Notes
1	51174315	1	SUPPORT	
2	31112219	1	SCREW TE M10X25 UNI 5739	
3	31112211	5	SCREW TE M10X30 UNI 5739	
4	F0863429000	4	SCREW M10X45 UNI 5737	
5	56570016	2	CYLINDRICAL PLUG	
6	F0826056000	1	LUBRICATOR M10 UNI 7663A	
7	58075603	1	PLUG	
8	56173638	1	GUARD	
9	31112149	2	SCREW TE M8X12 UNI 5739 8G	
10	F0843643060	2	WASHER 8	
11	58174581	1	OIL LEVEL ROD	
12	59076085	1	OIL PIPE	
13	52071702	1	CLAMPING PLATE	
14	31112082	2	SCREW TE M6X12 UNI 5739 8G	
15	56570284	1	SHAFT	
16	58170291	2	BUSHING	
17	56370288	2	SHIM	
18	59070289	1	LIFTING ARM	
19	59070290	1	RIGHT ARM	
20	F0801331050	2	SEEGER RING	
21	58170245	2	LIFTING CYLINDER	
21.1	58171537	1	GASKET SET	
21.2	58171536	1	BUSHINGS KIT	
22	56370282	4	SHIM	
23	F0801241010	2	SEEGER RING	
24	56370287	2	HINGE PIN	
25	31112150	2	SCREW TE M8X20 UNI 5739 8G	
26	F0843643060	2	WASHER 8	
27	56170283	2	BRACKET	
28	56170286	2	SPACER	
29	56170285	2	SPACER	
30	59078588	1	CONNECTING BOLT	
31	F0851486000	1	SPLIT PIN	

SERIAL

RAISE/LOWER LIFT

CODE REV

L.01.01_0_40903



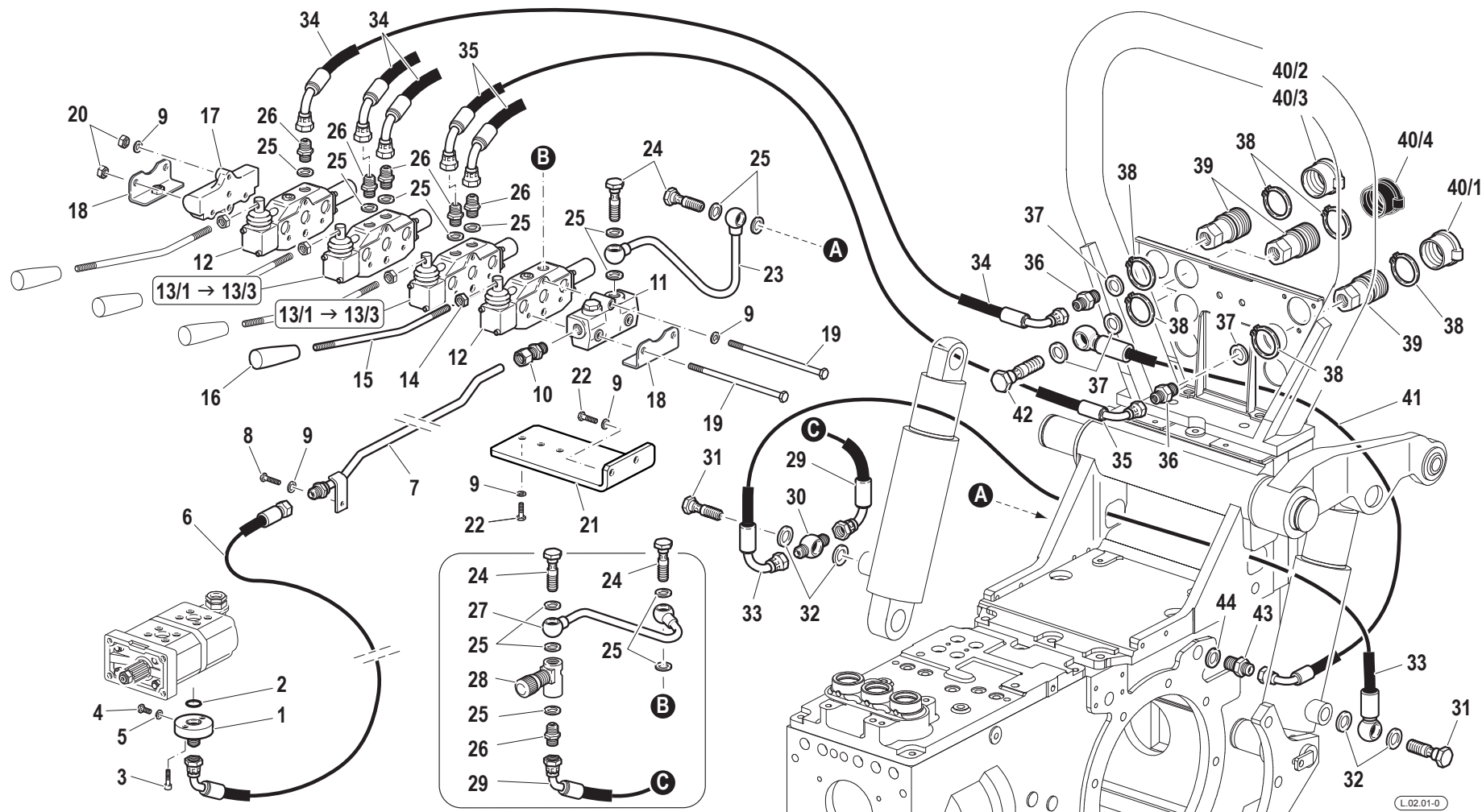
Pos.	Code	Q.ty	Description	Notes
1	F0825809000	1	PRESSURE PIPE CONNECTOR	
2	F0803185000	1	O-RING	
3	31152057	2	SCREW	
4	F0862462010	1	SCREW	
5	F0824022000	1	SPECIAL GASKET D.8,4X12/1	
6	58075247	1	FLEXIBLE HOSE	
7	59074754	1	PRESSURE PIPE	
8	31111151	1	SCREW TE M8X16 UNI 5739 8G	
9	F0843643060	7	WASHER 8	
10	58172015	1	PIPE FITTING	
11	58172304	1	HEAD	
12	58172011	2	S.A. VALVE	
13/1	58172012	2	D.A. VALVE	
13/2	58172013	2	D.A. VALVE	
13/3	58172014	2	D.A. VALVE	
14	31211100	4	NUT M10	
15	56170964	4	COMMAND LEVER	
16	F0837534010	4	GRIP	
17	58172489	1	COVER	
18	59072057	2	FIXING BRACKET	
19	58172018	3	ROD	
20	31211080	6	NUT M8	
21	56174202	1	RETAINER	
22	31112150	4	SCREW TE M8X20 UNI 5739 8G	
23	59074759	1	OIL PIPE	
24	F0843109020	4	PIPE FITTING	
25	F0824110000	14	COPPER WASHER 3/8 GAS	
26	30000197	6	NIPPLE	
27	59075359	1	PRESSURE PIPE	
28	P241171000000	1	VALVE	
29	58075135	1	FLEXIBLE HOSE	
30	58170512	1	EYELET	
31	F0843110010	2	THREADED TERMINAL END M18x1,5	
32	F0824113000	4	COPPER WASHER 18X24/1,5	

SERIAL

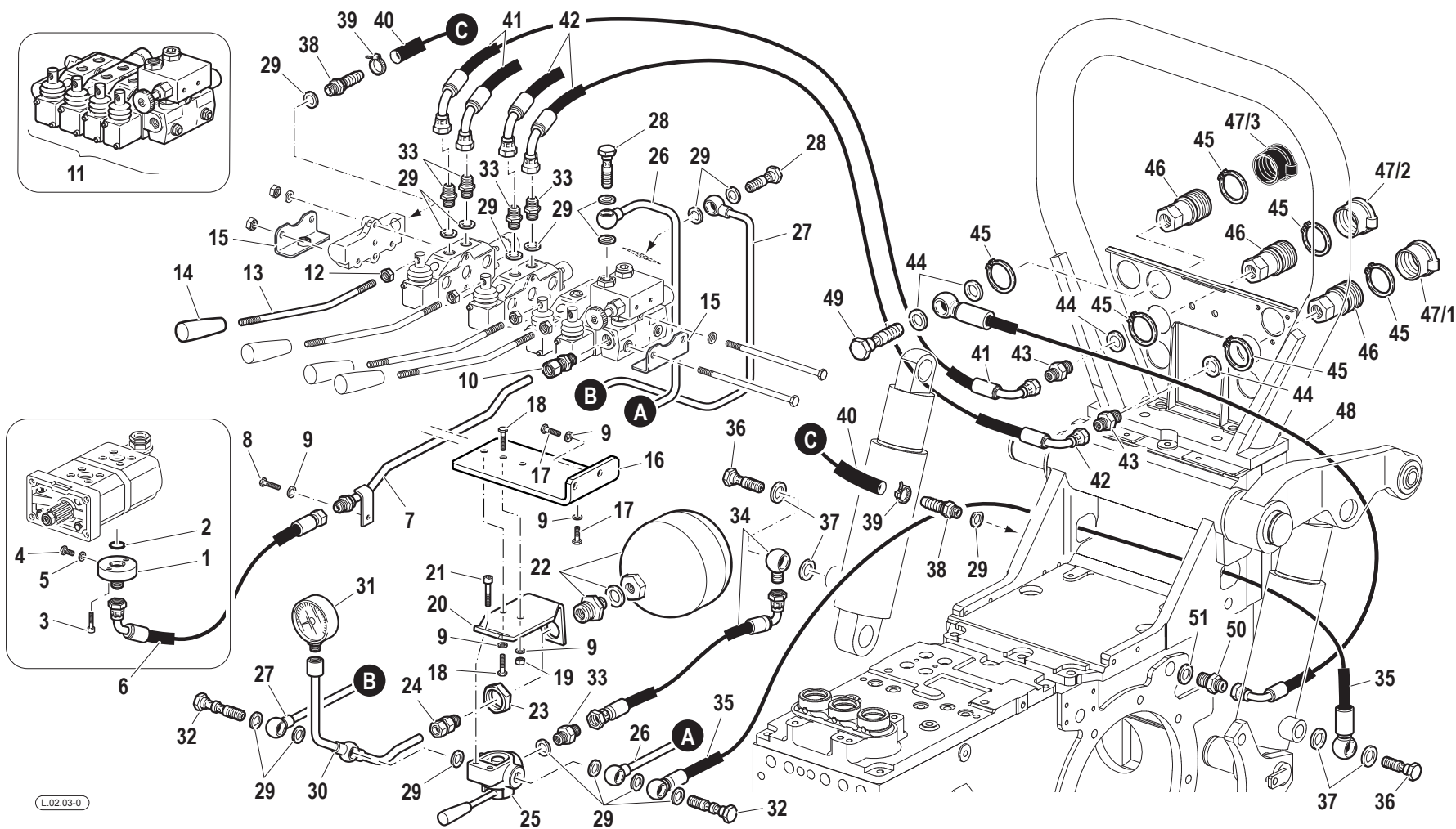
FREE DISCHARGE CONTROL VALVES VERSION

CODE REV

L.02.01_0_40937



Pos.	Code	Q.ty	Description	Notes
33	58070513	1	FLEXIBLE HOSE	
34	58075080	3	FLEXIBLE HOSE	
35	58075087	2	FLEXIBLE HOSE	
36	F0835037000	5	NIPPLE	
37	F0824141000	7	COPPER WASHER 21x27/1,5	
38	F0801282000	12	SEEGER RING E 38 UNI 7435	
39	F0825980030	6	COUPLING	
40/1	F0852550010	2	GUARD	
40/2	F0852550020	2	GUARD	
40/3	F0852550030	1	GUARD	
40/4	F0852550040	1	GUARD	
41	58075082	1	FLEXIBLE HOSE	
42	F0843116000	1	PIPE FITTING 1/2	
43	58175083	1	NIPPLE	
44	F0844273090	1	GASKET 22X28X1,5 CU 99,5	



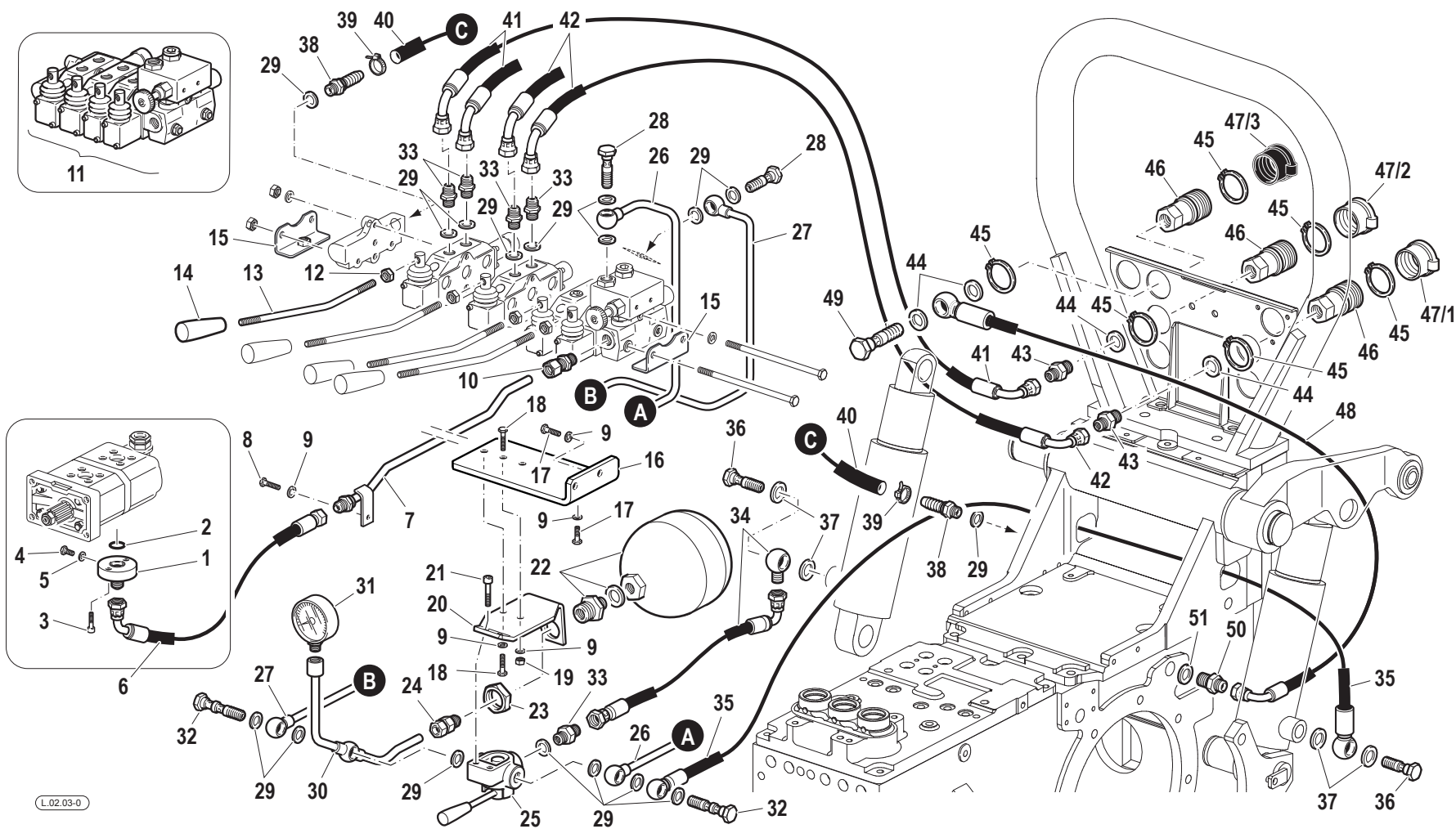
Pos.	Code	Q.ty	Description	Notes
1	F0825809000	1	PRESSURE PIPE CONNECTOR	
2	F0803185000	1	O-RING	
3	31152057	2	SCREW	
4	F0862462010	1	SCREW	
5	F0824022000	1	SPECIAL GASKET D.8,4X12/1	
6	58075247	1	FLEXIBLE HOSE	
7	59074754	1	PRESSURE PIPE	
8	31111151	1	SCREW TE M8X16 UNI 5739 8G	
9	F0843643060	6	WASHER 8	
10	58172015	1	PIPE FITTING	
11	58174974	1	FLOATING DEVICE GROUP	
12	31211100	4	NUT M10	
13	56170964	4	COMMAND LEVER	
14	F0837534010	4	GRIP	
15	59072057	2	FIXING BRACKET	
16	56174202	1	RETAINER	
17	31112150	3	SCREW TE M8X20 UNI 5739 8G	
18	31112151	2	SCREW TE M8X25 UNI 5739 8G	
19	31211080	1	NUT M8	
20	56175388	1	SUPPORT	
21	31152084	2	SCREW TCEI M8X35 UNI 5931	
22	59900364	1	KIT	
23	56170779	1	NUT	
24	58170251	1	PIPE FITTING	
25	F0110037024	1	SWITCH	
26	59075064	1	PIPE	
27	59075389	1	DISTRIBUTING PIPE	
28	F0843109020	3	PIPE FITTING	
29	F0824110000	18	COPPER WASHER 3/8 GAS	
30	59075390	1	PRESSURE PIPE	
31	58170597	1	MANOMETER	
32	58170693	2	PIPE FITTING	
33	30000197	4	NIPPLE	
34	59900365	1	PIPE SET	

SERIAL

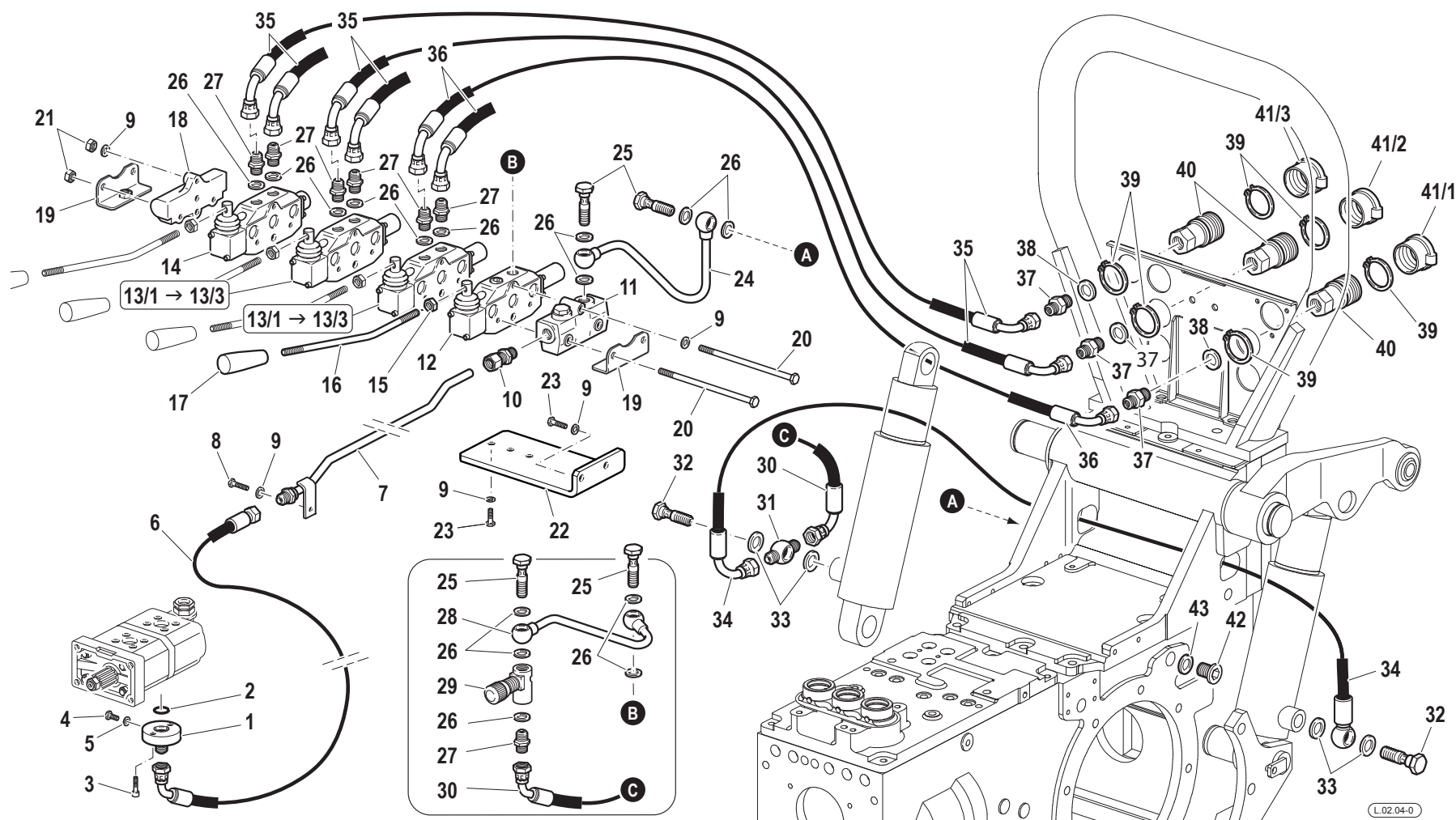
HYDR. SUSPENSION VERSION

CODE REV

L.02.03_0_41043



Pos.	Code	Q.ty	Description	Notes
35	58075074	1	FLEXIBLE HOSE	
36	F0843110010	2	THREADED TERMINAL END M18x1,5	
37	F0824113000	4	COPPER WASHER 18X24/1,5	
38	58172307	2	RUBBER HOLDER	
39	F0817516200	2	CLAMP	
40	58070519	1	OIL PIPE	
41	58075080	2	FLEXIBLE HOSE	
42	58075087	2	FLEXIBLE HOSE	
43	F0835037000	4	NIPPLE	
44	F0824141000	6	COPPER WASHER 21x27/1,5	
45	F0801282000	10	SEEGER RING E 38 UNI 7435	
46	F0825980030	5	COUPLING	
47/1	F0852550020	2	GUARD	
47/2	F0852550030	2	GUARD	
47/3	F0852550040	1	GUARD	
48	58075082	1	FLEXIBLE HOSE	
49	F0843116000	1	PIPE FITTING 1/2	
50	58175083	1	NIPPLE	
51	F0844273090	1	GASKET 22X28X1,5 CU 99,5	



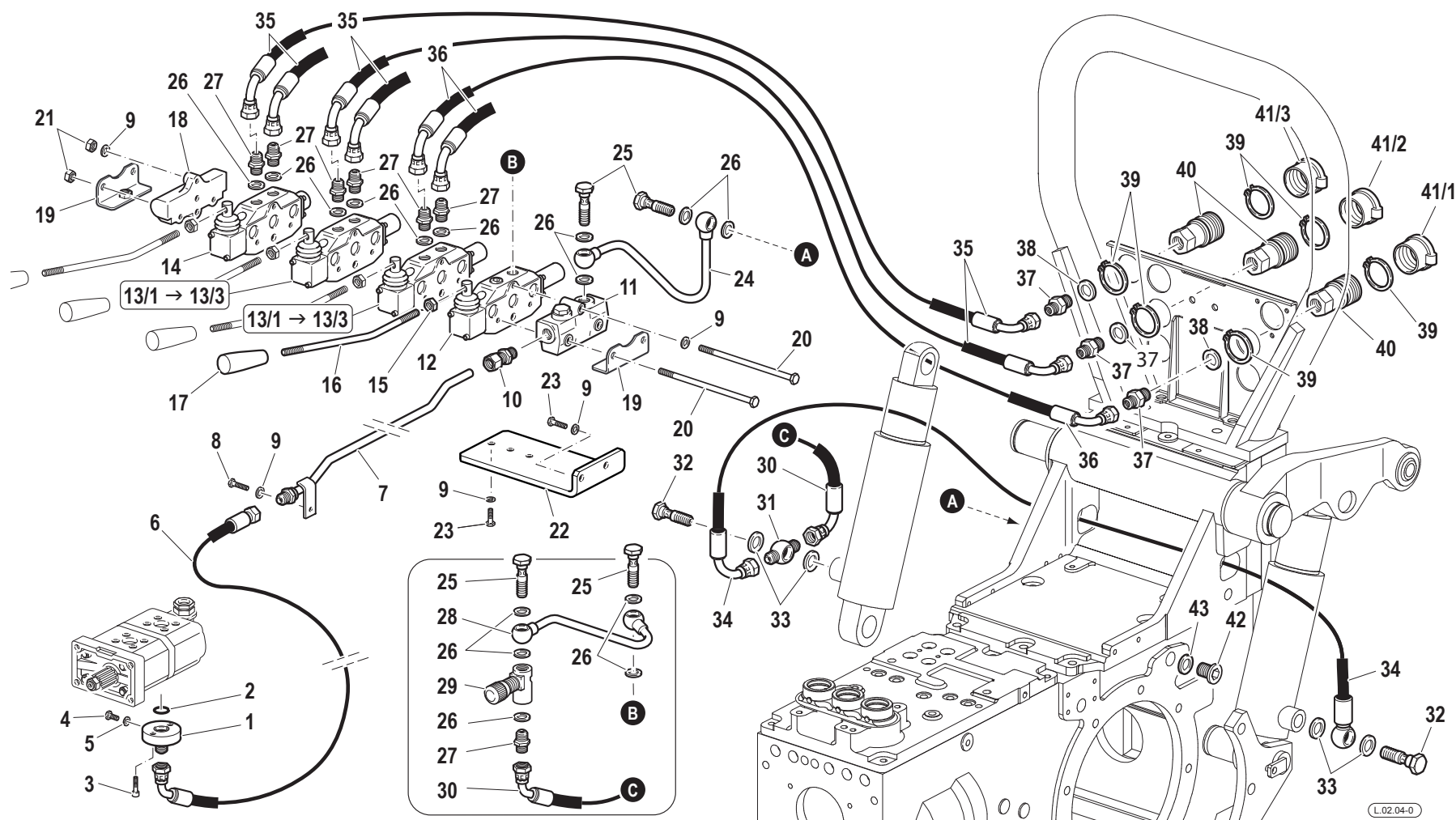
Pos.	Code	Q.ty	Description	Notes
1	F0825809000	1	PRESSURE PIPE CONNECTOR	
2	F0803185000	1	O-RING	
3	31152057	2	SCREW	
4	F0862462010	1	SCREW	
5	F0824022000	1	SPECIAL GASKET D.8,4X12/1	
6	58075247	1	FLEXIBLE HOSE	
7	59074754	1	PRESSURE PIPE	
8	31111151	1	SCREW TE M8X16 UNI 5739 8G	
9	F0843643060	7	WASHER 8	
10	58172015	1	PIPE FITTING	
11	58172304	1	HEAD	
12	58172011	1	S.A. VALVE	
13/1	58172012	2	D.A. VALVE	
13/2	58172013	2	D.A. VALVE	
13/3	58172014	2	D.A. VALVE	
14	58172012	1	D.A. VALVE	
15	31211100	4	NUT M10	
16	56170964	4	COMMAND LEVER	
17	F0837534010	4	GRIP	
18	58172489	1	COVER	
19	59072057	2	FIXING BRACKET	
20	58172018	3	ROD	
21	31211080	6	NUT M8	
22	56174202	1	RETAINER	
23	31112150	4	SCREW TE M8X20 UNI 5739 8G	
24	59074759	1	OIL PIPE	
25	F0843109020	4	PIPE FITTING	
26	F0824110000	15	COPPER WASHER 3/8 GAS	
27	30000197	7	NIPPLE	
28	59075359	1	PRESSURE PIPE	
29	P241171000000	1	VALVE	
30	58075135	1	FLEXIBLE HOSE	
31	58170512	1	EYELET	
32	F0843110010	2	THREADED TERMINAL END M18x1,5	

SERIAL

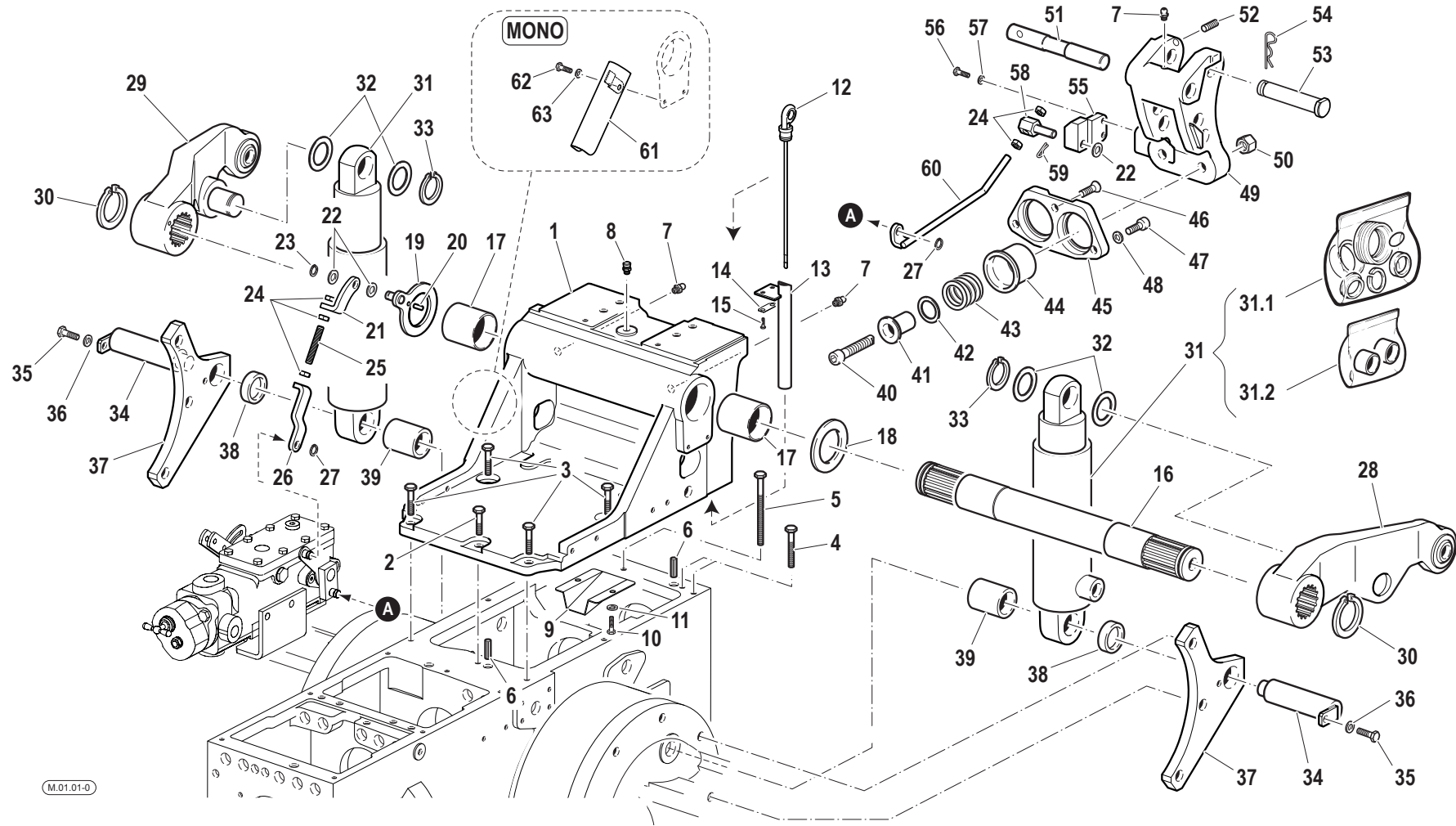
CONTROL VALVES WITHOUT FREE DISCHARGE VERSION

CODE REV

L.02.04_0_41097



Pos.	Code	Q.ty	Description	Notes
33	F0824113000	4	COPPER WASHER 18X24/1,5	
34	58070513	1	FLEXIBLE HOSE	
35	58075080	4	FLEXIBLE HOSE	
36	58075087	2	FLEXIBLE HOSE	
37	F0835037000	6	NIPPLE	
38	F0824141000	6	COPPER WASHER 21x27/1,5	
39	F0801282000	12	SEEGER RING E 38 UNI 7435	
40	F0825980030	6	COUPLING	
41/1	F0852550010	2	GUARD	
41/2	F0852550020	2	GUARD	
41/3	F0852550030	2	GUARD	
42	56370081	1	PLUG	
43	F0844273090	1	GASKET 22X28X1,5 CU 99,5	



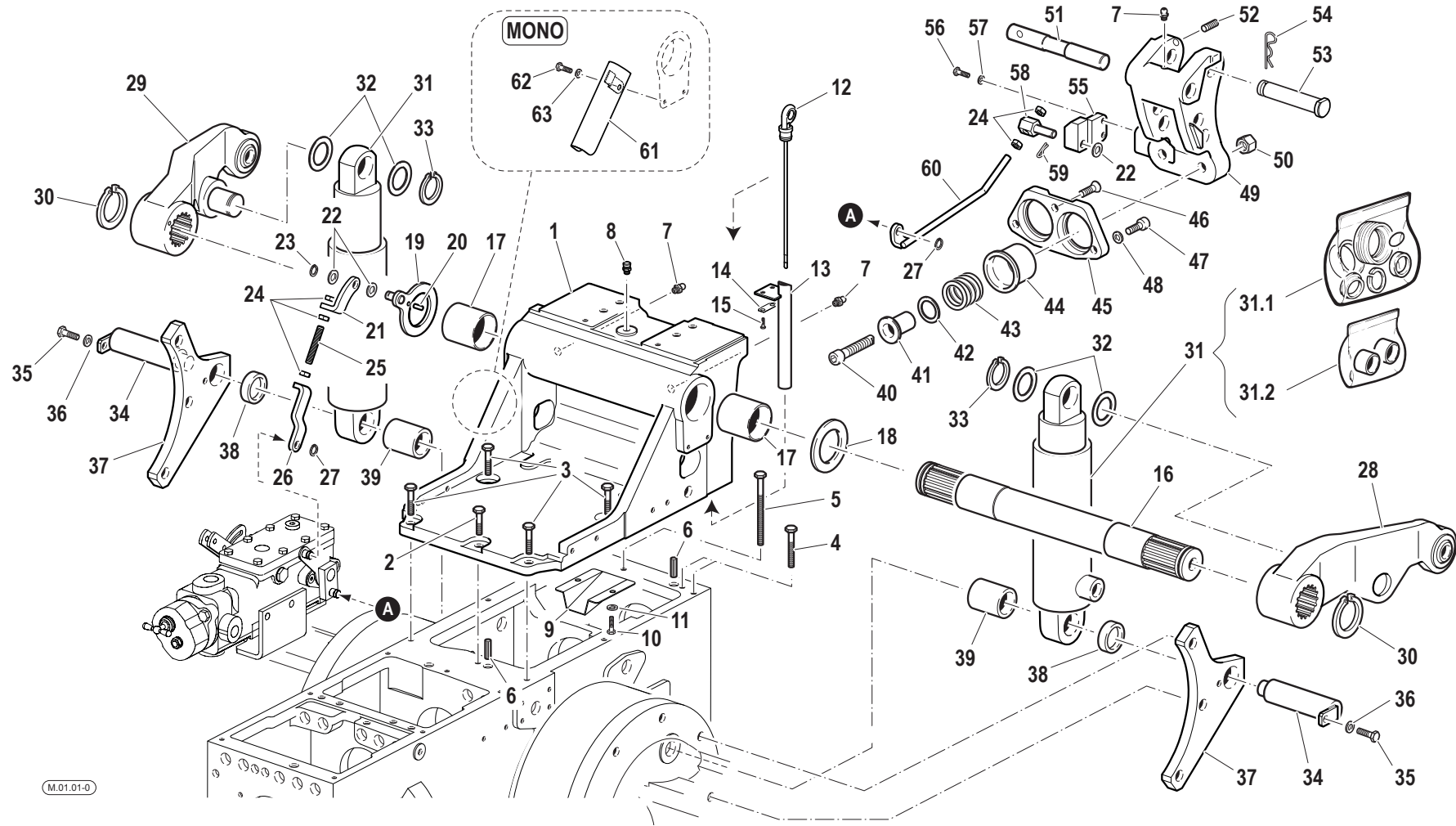
Pos.	Code	Q.ty	Description	Notes
1	51174047	1	SUPPORT	
2	31112219	1	SCREW TE M10X25 UNI 5739	
3	31112211	4	SCREW TE M10X30 UNI 5739	
4	F0863429000	4	SCREW M10X45 UNI 5737	
5	31112217	1	SCREW TE M10X80 UNI 5737	
6	56570016	2	CYLINDRICAL PLUG	
7	F0826056000	3	LUBRICATOR M10 UNI 7663A	
8	58075603	1	PLUG	
9	56173638	1	GUARD	
10	31112149	2	SCREW TE M8X12 UNI 5739 8G	
11	F0843643060	2	WASHER 8	
12	58174581	1	OIL LEVEL ROD	
13	59076085	1	OIL PIPE	
14	52071702	1	CLAMPING PLATE	
15	31112082	2	SCREW TE M6X12 UNI 5739 8G	
16	56570284	1	SHAFT	
17	58170291	2	BUSHING	
18	56370288	1	SHIM	
19	59075148	1	SHIM	
20	56570506	1	PIN	
21	56375147	1	BRACKET	
22	31411104	3	WASHER 10,5x18	
23	F0801050000	1	SEEGER RING	
24	F0814569000	5	NUT	
25	56375146	1	GRAIN	
26	56075145	1	BRACKET	
27	35211070	2	SEEGER RING	
28	59070289	1	LIFTING ARM	
29	59070290	1	RIGHT ARM	
30	F0801331050	2	SEEGER RING	
31	58170245	2	LIFTING CYLINDER	
31.1	58171537	1	GASKET SET	
31.2	58171536	1	BUSHINGS KIT	
32	56370282	4	SHIM	

SERIAL

POSITION AND DRAFT CONTROL LIFT

CODE REV

M.01.01_0_41199



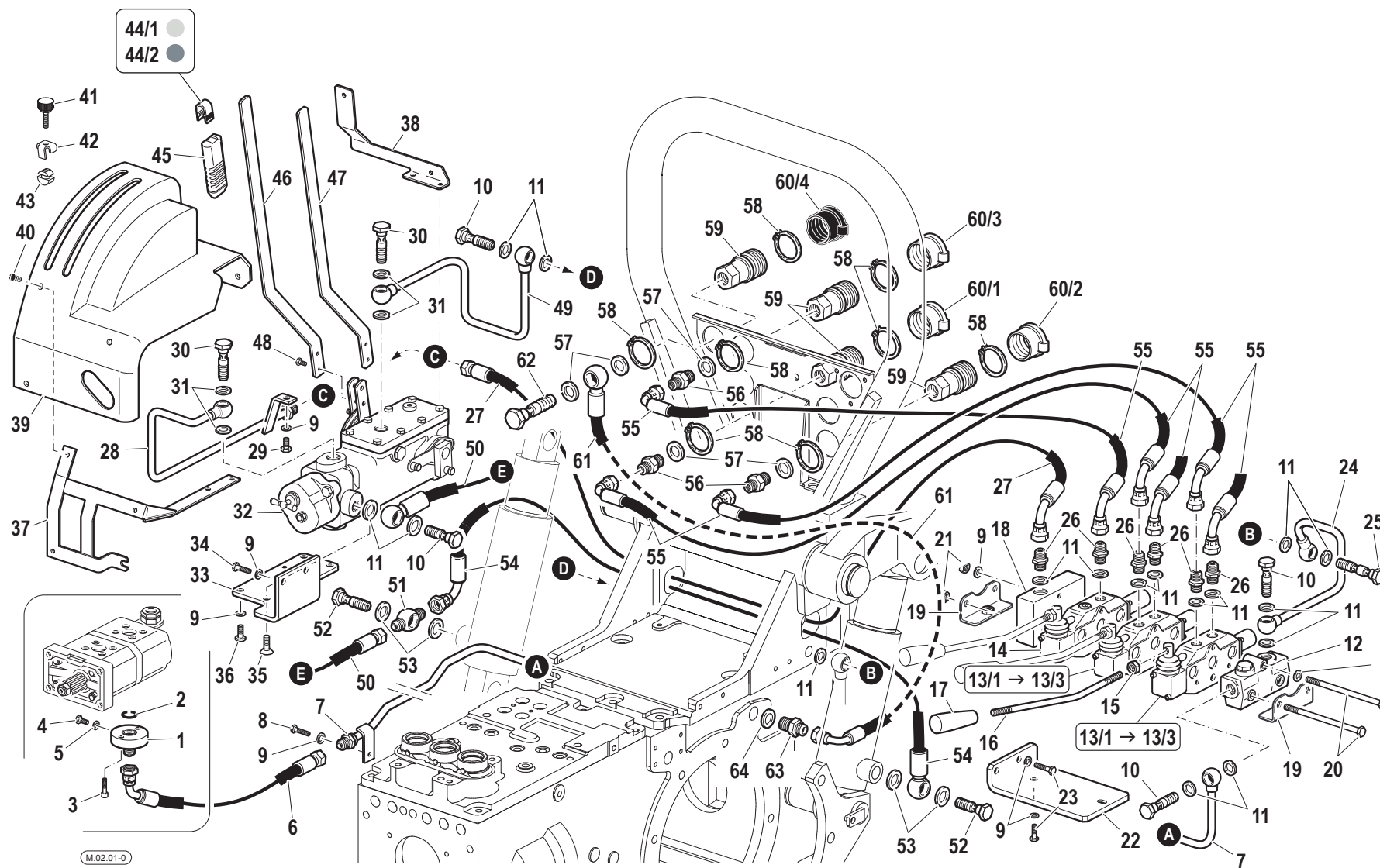
Pos.	Code	Q.ty	Description	Notes
33	F0801241010	2	SEEGER RING	
34	56370287	2	HINGE PIN	
35	31112150	2	SCREW TE M8X20 UNI 5739 8G	
36	F0843643060	2	WASHER 8	
37	56170283	2	BRACKET	
38	56170286	2	SPACER	
39	56170285	2	SPACER	
40	50973415	2	SCREW	
41	56073414	2	GUIDE	
42	56373426	1	SHIM	
42	56373427	1	SHIM	
42	56373428	1	SHIM	
42	58025869	1	SHIM	
43	58073411	2	SPRING	
44	56073413	2	SLEEVE	
45	56073416	1	FLANGE	
46	F0863208050	1	SCREW M10X20 UNI 5933	
47	31152097	2	SCREW TCEI M10X30 UNI 5931	
48	F0843755000	2	WASHER 10	
49	51173371	1	THREE-POINT LINKAGE	
50	31241121	2	SELFLOCK NUT M12	
51	56374574	1	CONNECTING BOLT	
52	F0862593050	1	SCREW M8X20 UNI 5927	
53	56373436	1	PIN	
54	F0851486000	1	SPLIT PIN	
55	59075140	1	SMALL BLOCK	
56	31112093	2	SCREW TE M6X20	
57	F0843570000	2	WASHER 6	
58	56075143	1	HINGE PIN	
59	34110030	1	SPLIT PIN	
60	59075137	1	ROD	
61	59075178	1	CABLE BARRIER RAIL	
62	31111091	1	SCREW E M6X14 UNI 5739 8G	
63	F0843570000	1	WASHER 6	

SERIAL

POSITION AND DRAFT CONTROL LIFT

CODE REV

M.01.01_0_41199



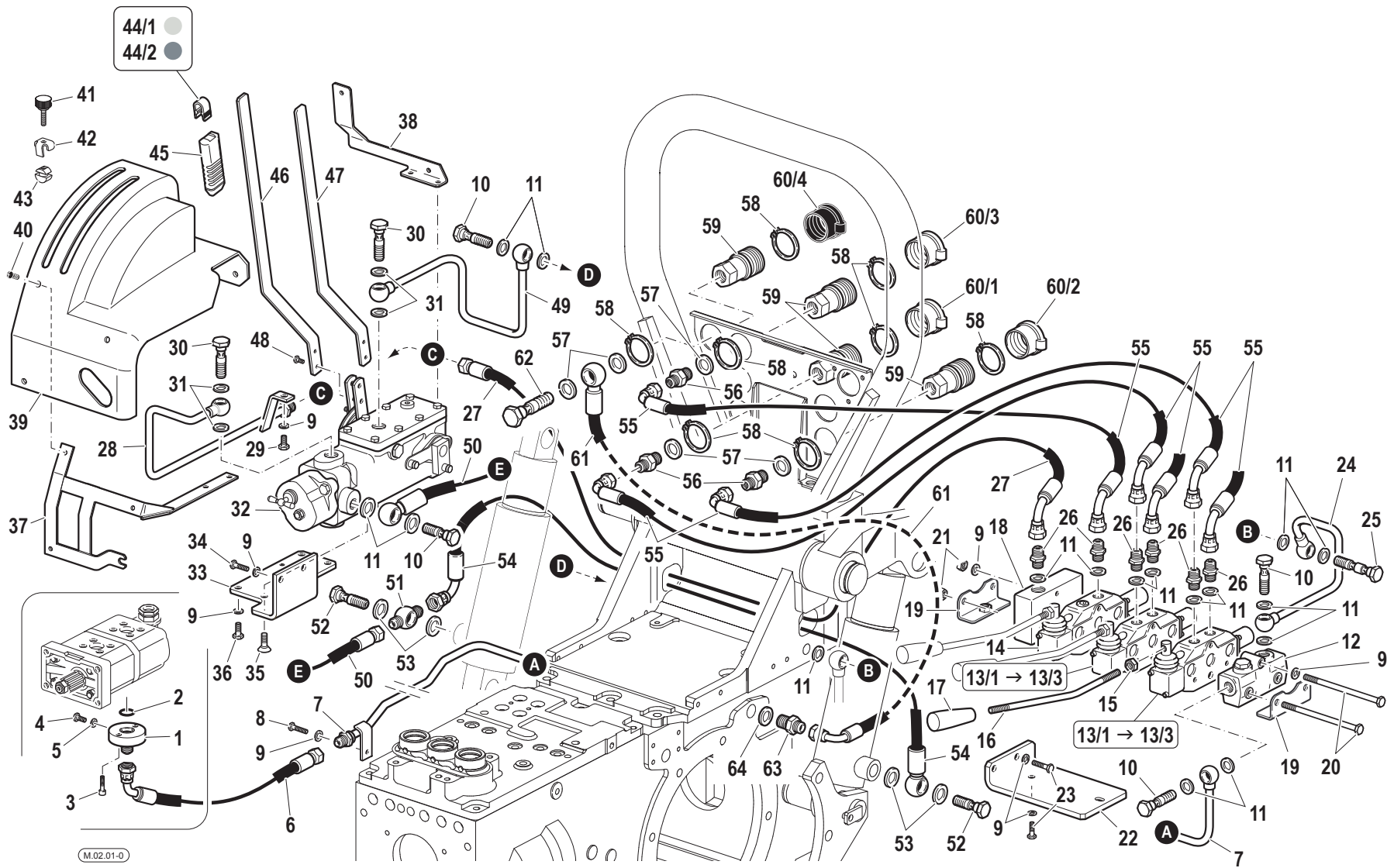
Pos.	Code	Q.ty	Description	Notes
1	F0825809000	1	PRESSURE PIPE CONNECTOR	
2	F0803185000	1	O-RING	
3	31152057	2	SCREW	
4	F0862462010	1	SCREW	
5	F0824022000	1	SPECIAL GASKET D.8,4X12/1	
6	58075247	1	FLEXIBLE HOSE	
7	59075216	1	PRESSURE PIPE	
8	31111151	1	SCREW TE M8X16 UNI 5739 8G	
9	F0843643060	13	WASHER 8	
10	F0843109020	4	PIPE FITTING	
11	F0824110000	17	COPPER WASHER 3/8 GAS	
12	58172304	1	HEAD	
13/1	58172012	2	D.A. VALVE	
13/2	58172013	2	D.A. VALVE	
13/3	58172014	2	D.A. VALVE	
14	58172011	1	S.A. VALVE	
15	31211100	3	NUT M10	
16	56170964	3	COMMAND LEVER	
17	F0837534010	3	GRIP	
18	58173361	1	COVER	
19	59072057	2	FIXING BRACKET	
20	58172017	3	ROD	
21	31211080	3	NUT M8	
22	56175227	1	LEFT BRACKET	
23	31112150	4	SCREW TE M8X20 UNI 5739 8G	
24	59075217	1	EXHAUST	
25	F0843110010	3	THREADED TERMINAL END M18x1,5	
26	30000197	6	NIPPLE	
27	58075159	1	FLEXIBLE HOSE	
28	59075979	1	PRESSURE PIPE	
29	31112149	1	SCREW TE M8X12 UNI 5739 8G	
30	F0843116000	2	PIPE FITTING 1/2	
31	F0824141000	4	COPPER WASHER 21x27/1,5	
32	58175191	1	DISTRIBUTOR	

SERIAL

FREE DISCHARGE CONTROL VALVES VERSION

CODE REV

M.02.01_0_41268



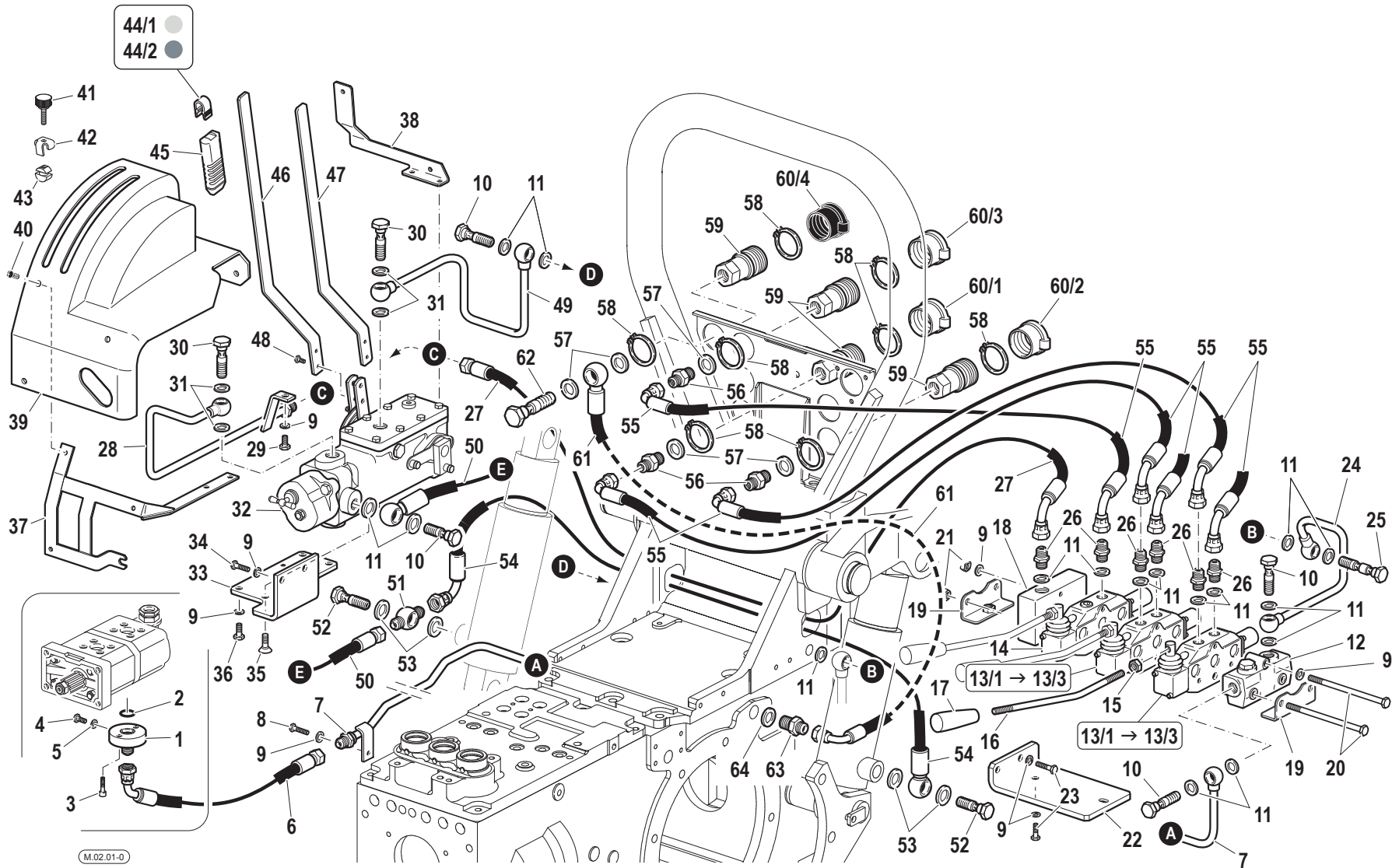
Pos.	Code	Q.ty	Description	Notes
33	56075161	1	FIXING BRACKET	
34	31112150	2	SCREW TE M8X20 UNI 5739 8G	
35	F0862481000	1	SCREW M8x16 UNI 5933	
36	31111151	3	SCREW TE M8X16 UNI 5739 8G	
37	59075253	1	FIXING BRACKET	
38	56075251	1	FIXING BRACKET	
39	57375192	1	COVER	
40	F0861973000	5	SCREW M6X10 COMBI	
41	58177761	1	KNOB	
42	56075197	1	CLIP	
43	56077760	1	SMALL BLOCK	
44/1	58175211	1	INSERT	
44/2	58175188	1	INSERT	
45	58175187	2	KNOB	
46	56075183	1	COMMAND LEVER	
47	56075184	1	COMMAND LEVER	
48	31112090	4	SCREW TE M6X16 UNI 5739 8G	
49	59075171	1	EXHAUST	
50	58075160	1	FLEXIBLE HOSE	
51	58170512	1	EYELET	
52	F0843110010	2	THREADED TERMINAL END M18x1,5	
53	F0824113000	4	COPPER WASHER 18X24/1,5	
54	58070513	1	FLEXIBLE HOSE	
55	58074958	5	FLEXIBLE HOSE	
56	F0835037000	5	NIPPLE	
57	F0824141000	7	COPPER WASHER 21x27/1,5	
58	F0801282000	12	SEEGER RING E 38 UNI 7435	
59	F0825980030	6	COUPLING	
60/1	F0852550010	2	GUARD	
60/2	F0852550020	2	GUARD	
60/3	F0852550030	1	GUARD	
60/4	F0852550040	1	GUARD	
61	58075082	1	FLEXIBLE HOSE	
62	F0843116000	1	PIPE FITTING 1/2	

SERIAL

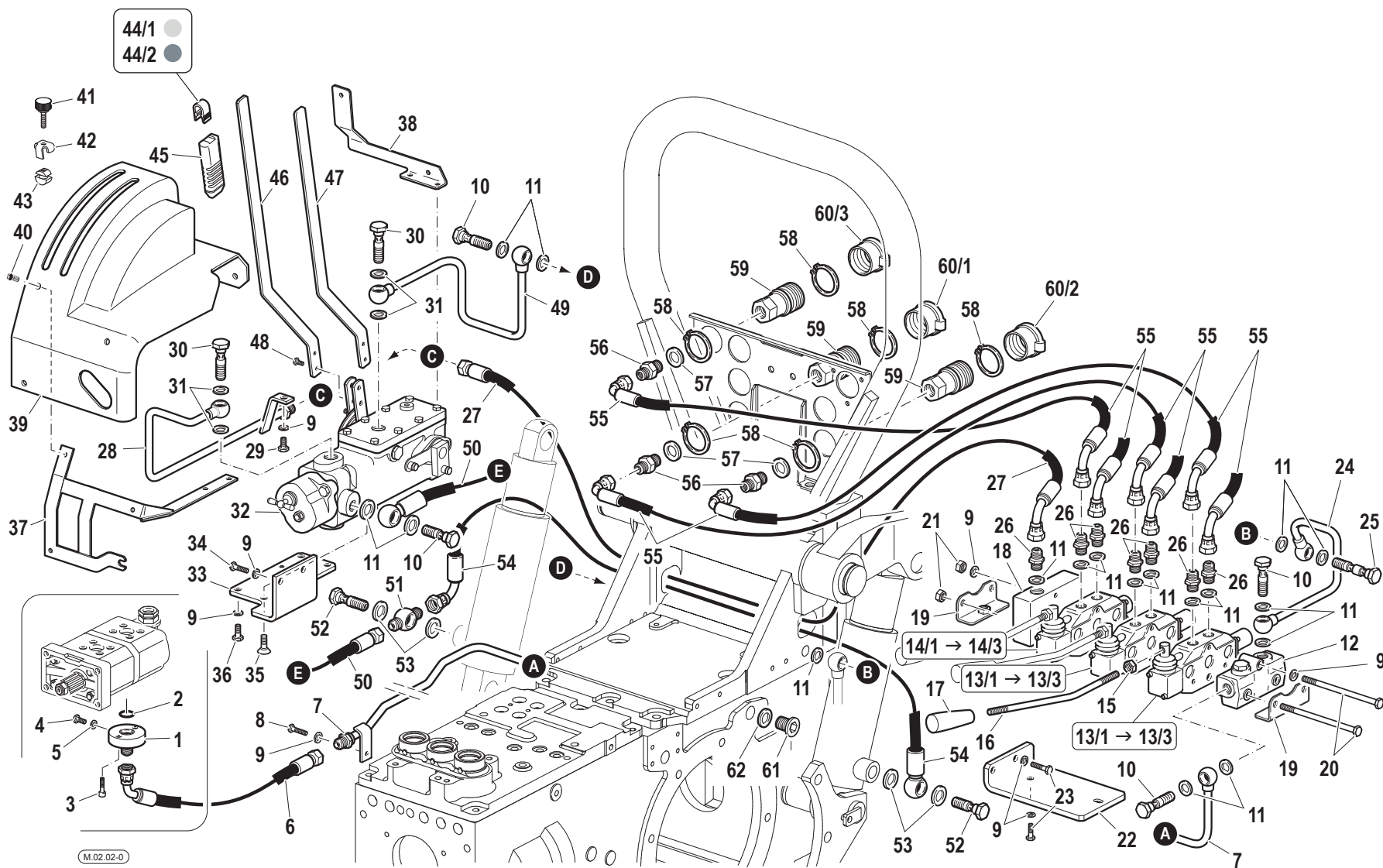
FREE DISCHARGE CONTROL VALVES VERSION

CODE REV

M.02.01_0_41268



Pos.	Code	Q.ty	Description	Notes
63	58175083	1	NIPPLE	
64	F0844273090	1	GASKET 22X28X1,5 CU 99,5	



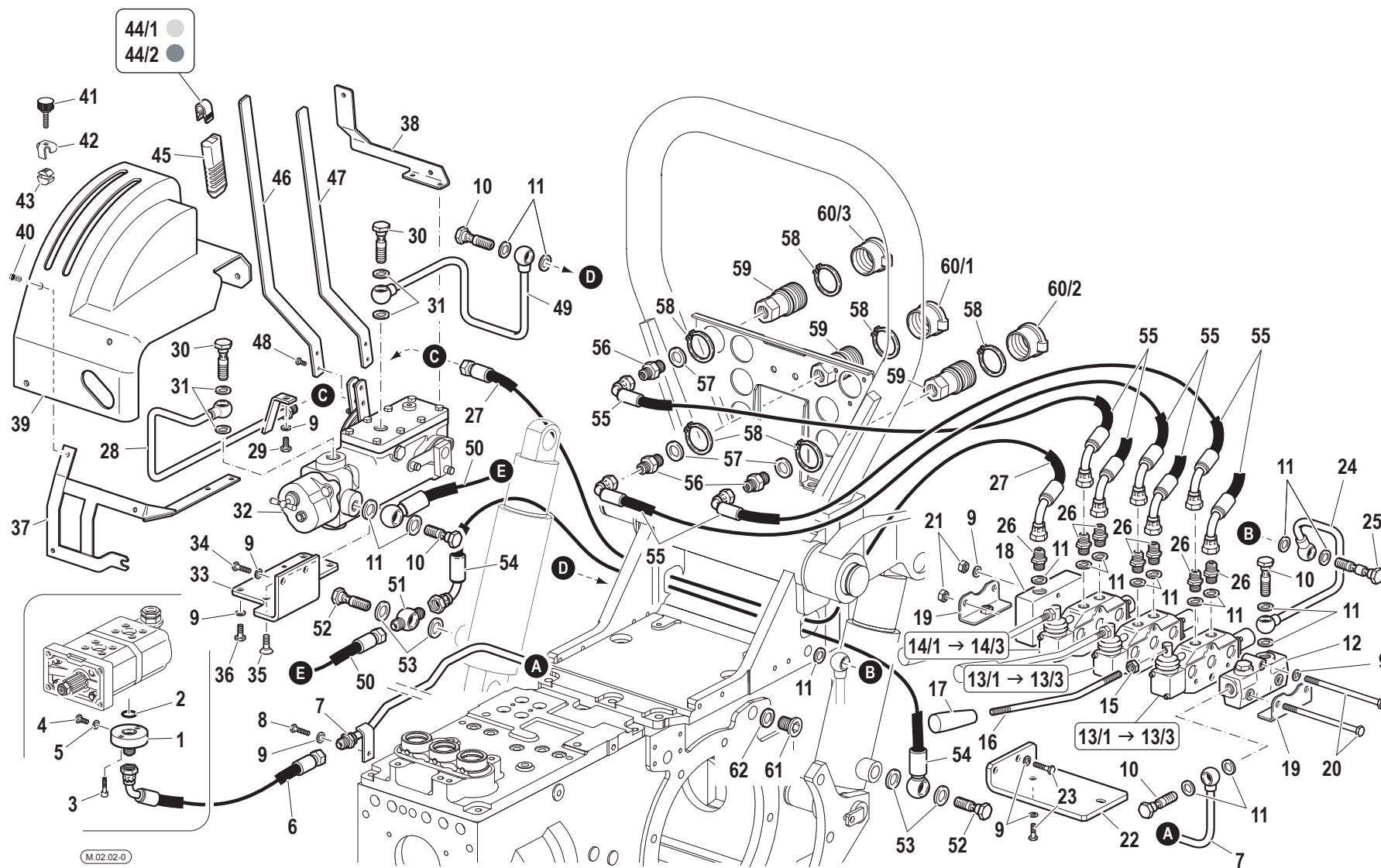
Pos.	Code	Q.ty	Description	Notes
1	F0825809000	1	PRESSURE PIPE CONNECTOR	
2	F0803185000	1	O-RING	
3	31152057	2	SCREW	
4	F0862462010	1	SCREW	
5	F0824022000	1	SPECIAL GASKET D.8,4X12/1	
6	58075247	1	FLEXIBLE HOSE	
7	59075216	1	PRESSURE PIPE	
8	31111151	1	SCREW TE M8X16 UNI 5739 8G	
9	F0843643060	13	WASHER 8	
10	F0843109020	4	PIPE FITTING	
11	F0824110000	18	COPPER WASHER 3/8 GAS	
12	58172304	1	HEAD	
13/1	58172012	2	D.A. VALVE	
13/2	58172013	2	D.A. VALVE	
13/3	58172014	2	D.A. VALVE	
14/1	58172012	1	D.A. VALVE	
14/2	58172013	1	D.A. VALVE	
14/3	58172014	1	D.A. VALVE	
15	31211100	3	NUT M10	
16	56170964	3	COMMAND LEVER	
17	F0837534010	3	GRIP	
18	58173361	1	COVER	
19	59072057	2	FIXING BRACKET	
20	58172017	3	ROD	
21	31211080	3	NUT M8	
22	56175227	1	LEFT BRACKET	
23	31112150	4	SCREW TE M8X20 UNI 5739 8G	
24	59075217	1	EXHAUST	
25	F0843110010	1	THREADED TERMINAL END M18x1,5	
26	30000197	7	NIPPLE	
27	58075159	1	FLEXIBLE HOSE	
28	59075979	1	PRESSURE PIPE	
29	31112149	1	SCREW TE M8X12 UNI 5739 8G	
30	F0843116000	2	PIPE FITTING 1/2	

SERIAL

CONTROL VALVES WITHOUT FREE DISCHARGE VERSION

CODE REV

M.02.02_0_41339



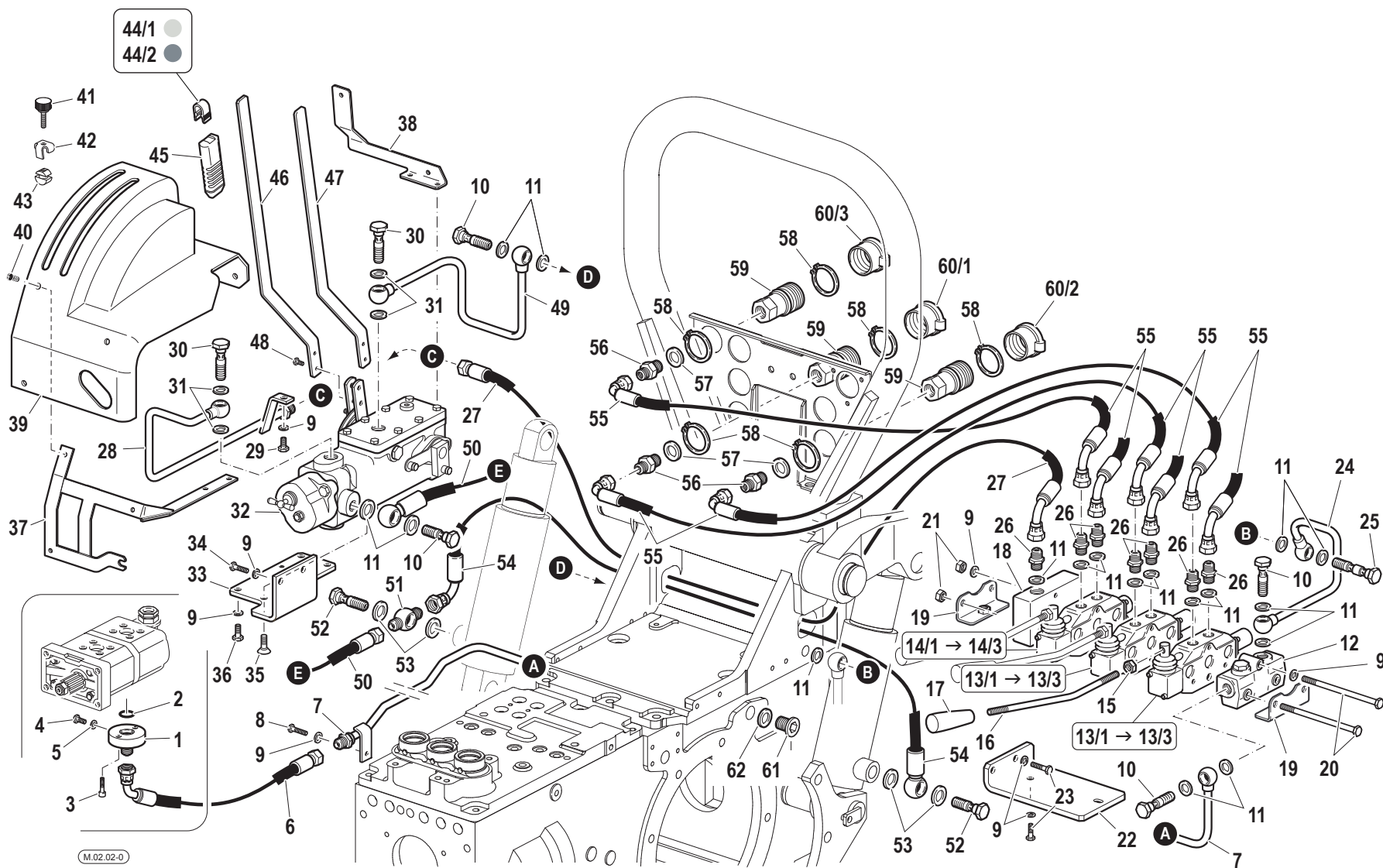
Pos.	Code	Q.ty	Description	Notes
31	F0824141000	4	COPPER WASHER 21x27/1,5	
32	58175191	1	DISTRIBUTOR	
33	56075161	1	FIXING BRACKET	
34	31112150	2	SCREW TE M8X20 UNI 5739 8G	
35	F0862481000	1	SCREW M8x16 UNI 5933	
36	31111151	3	SCREW TE M8X16 UNI 5739 8G	
37	59075253	1	FIXING BRACKET	
38	56075251	1	FIXING BRACKET	
39	57375192	1	COVER	
40	F0861973000	5	SCREW M6X10 COMBI	
41	58177761	1	KNOB	
42	56075197	1	CLIP	
43	56077760	1	SMALL BLOCK	
44/1	58175211	1	INSERT	
44/2	58175188	1	INSERT	
45	58175187	2	KNOB	
46	56075183	1	COMMAND LEVER	
47	56075184	1	COMMAND LEVER	
48	31112090	4	SCREW TE M6X16 UNI 5739 8G	
49	59075171	1	EXHAUST	
50	58075160	1	FLEXIBLE HOSE	
51	58170512	1	EYELET	
52	F0843110010	2	THREADED TERMINAL END M18x1,5	
53	F0824113000	4	COPPER WASHER 18X24/1,5	
54	58070513	1	FLEXIBLE HOSE	
55	58074958	6	FLEXIBLE HOSE	
56	F0835037000	6	NIPPLE	
57	F0824141000	6	COPPER WASHER 21x27/1,5	
58	F0801282000	12	SEEGER RING E 38 UNI 7435	
59	F0825980030	6	COUPLING	
60/1	F0852550010	2	GUARD	
60/2	F0852550020	2	GUARD	
60/3	F0852550030	1	GUARD	
61	56370081	1	PLUG	

SERIAL

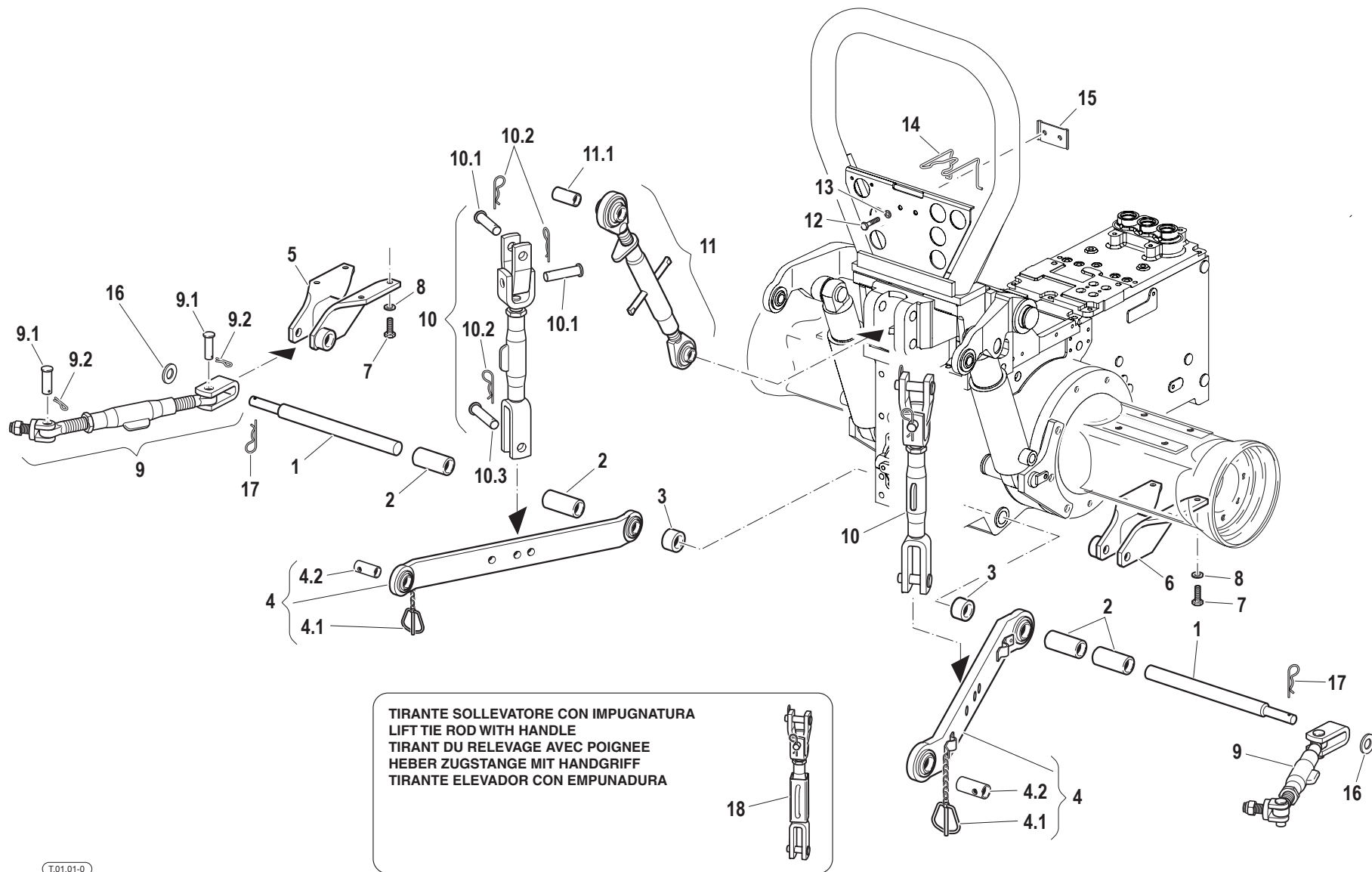
CONTROL VALVES WITHOUT FREE DISCHARGE VERSION

CODE REV

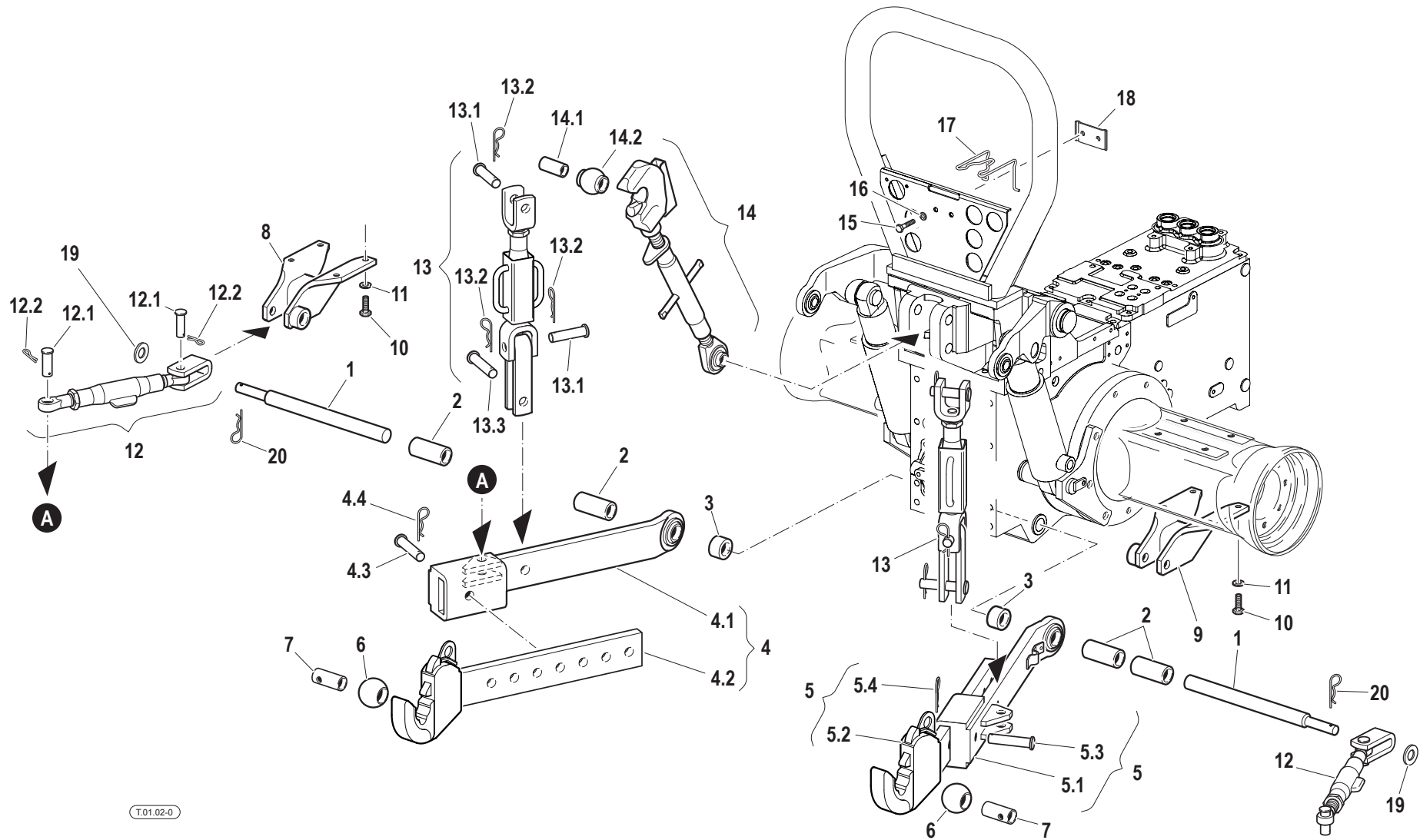
M.02.02_0_41339



Pos.	Code	Q.ty	Description	Notes
62	F0844273090	1	GASKET 22X28X1,5 CU 99,5	



Pos.	Code	Q.ty	Description	Notes
1	56577771	2	PIN	
2	56077773	4	SPACER	
3	56170392	2	SPACER	
4	58071322	2	BOTTOM LINK	
4.1	F0852107050	1	PISTON PIN	
4.2	58171021	1	REDUCING BUSH	
5	59075789	1	SUPPORT	
6	59075790	1	SUPPORT	
7	31112211	8	SCREW TE M10X30 UNI 5739	
8	F0843755000	8	WASHER 10	
9	58076354	2	ROD	
9.1	58070480	2	PIN	
9.2	34110029	2	SPLIT PIN	
10	58077205	2	ROD	
10.1	58071755	2	PIN	
10.2	F0851486000	3	SPLIT PIN	
10.3	58070482	1	PIN	
11	58075983	1	3-POINT HITCH	
11.1	56073059	1	REDUCING BUSH	
12	31112150	2	SCREW TE M8X20 UNI 5739 8G	
12	59078588	1	CONNECTING BOLT	
13	F0843643060	2	WASHER 8	
14	58170449	1	RETAINING SPRING	
15	59070448	1	FIXING BRACKET	
16	31411170	2	WASHER 17x30	
17	34130010	2	SPLIT PIN	
18	58077202	2	ROD	



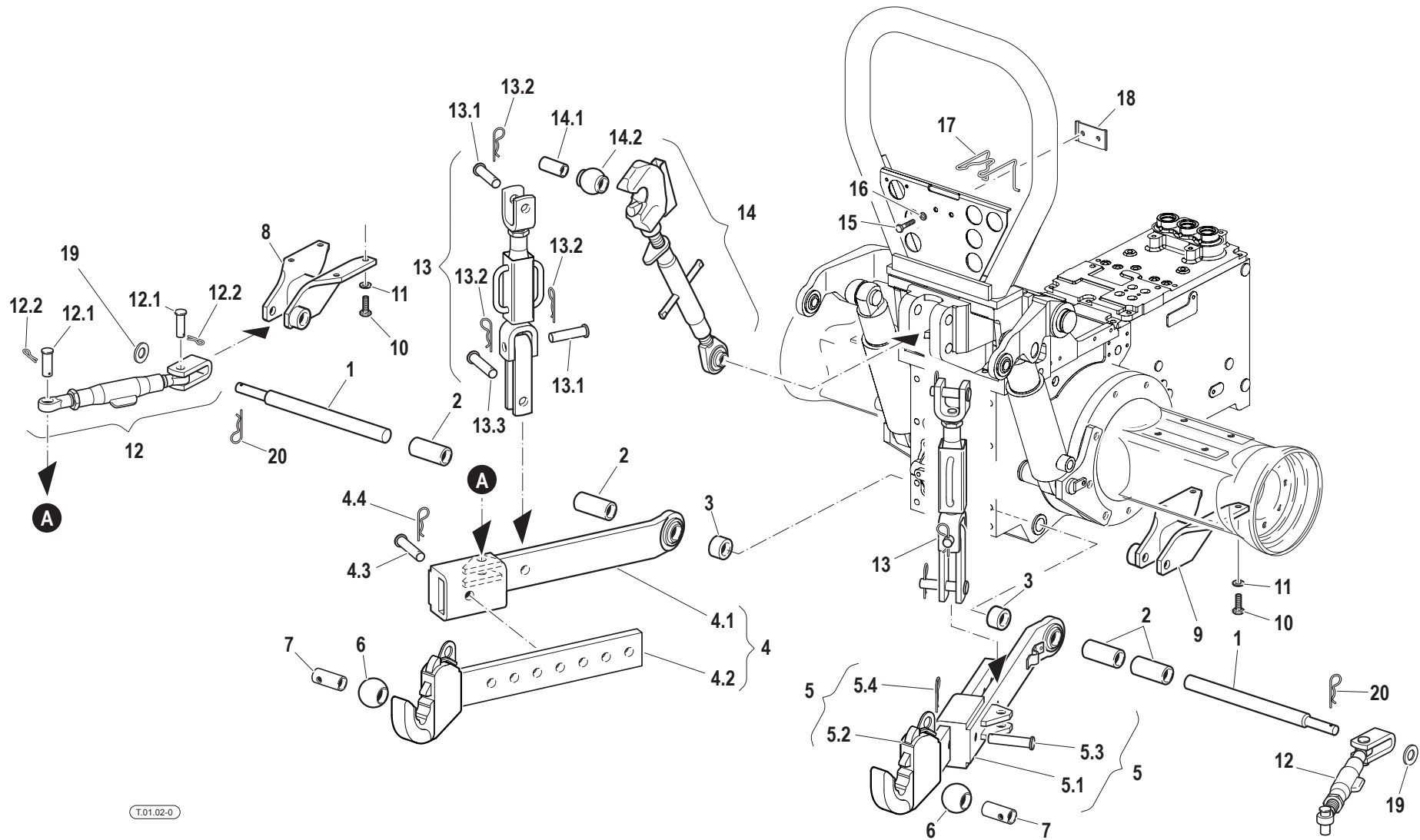
Pos.	Code	Q.ty	Description	Notes
1	56577771	2	PIN	
2	56077773	4	SPACER	
3	56170392	2	SPACER	
4	58076084	1	LEFT ARM	
4.1	58071864	1	TIP	
4.2	58076082	1	TIP	
4.3	56371101	1	PIN	
4.4	F0851486000	1	SPLIT PIN	
5	58076083	1	RIGHT ARM	
5.1	58071864	1	TIP	
5.2	58076081	1	TIP	
5.3	56371101	1	PIN	
5.4	F0851486000	1	SPLIT PIN	
6	58171000	2	JOINT	
7	58171021	2	REDUCING BUSH	
8	59075789	1	SUPPORT	
9	59075790	1	SUPPORT	
10	31112211	8	SCREW TE M10X30 UNI 5739	
11	F0843755000	8	WASHER 10	
12	58076356	2	ROD	
12.1	58070480	2	PIN	
12.2	34110029	2	SPLIT PIN	
13	58077198	2	ROD	
13.1	58071755	2	PIN	
13.2	F0851486000	2	SPLIT PIN	
13.3	56371101	1	PIN	
14	58075987	1	3-POINT HITCH	
14.1	56073059	1	REDUCING BUSH	
14.2	58173072	1	JOINT	
15	31112150	2	SCREW TE M8X20 UNI 5739 8G	
16	F0843643060	2	WASHER 8	
17	58170449	1	RETAINING SPRING	
18	59070448	1	FIXING BRACKET	
19	31411170	2	WASHER 17x30	

SERIAL

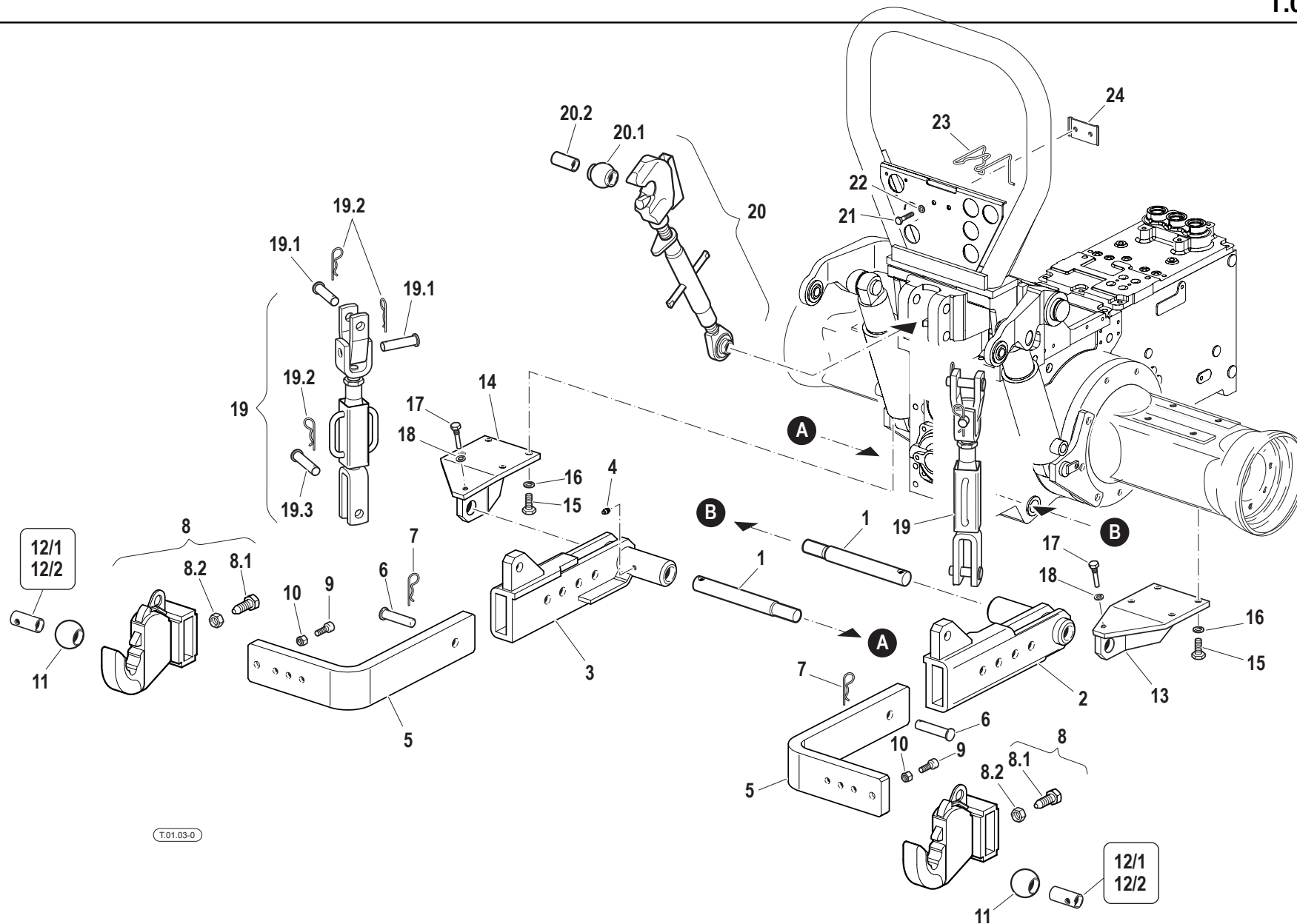
IMPLEMENTS ATTACHMENT - ADJUSTABLE ARMS WITH QUICK HITCHES

CODE REV

T.01.02_0_41578



Pos.	Code	Q.ty	Description	Notes
20	34130010	2	SPLIT PIN	



T.01.03-0

12/1
12/2

Pos.	Code	Q.ty	Description	Notes
1	56575035	2	PIN	
2	59079186	1	HOLDER	
3	59079187	1	HOLDER	
4	F0826056000	2	LUBRICATOR M10 UNI 7663A	
5	56175848	2	ARM	
6	56375954	4	PIN	
7	F0851486000	4	SPLIT PIN	
8	59076100	2	DEVICE COUPLING	
8.1	56275953	1	SCREW	
8.2	31211200	1	NUT M20	
9	F0863302000	2	SCREW M10X30 UNI 5931	
10	31211100	2	NUT M10	
11	58171000	2	JOINT	
12/1	58171021	2	REDUCING BUSH	
12/2	58177978	2	BUSHING	
13	59077383	1	SUPPORT	
14	59077382	1	SUPPORT	
15	31112211	8	SCREW TE M10X30 UNI 5739	
16	F0843755000	8	WASHER 10	
17	56075036	2	SCREW	
18	F0843755000	2	WASHER 10	
19	58077325	2	ROD	
19.1	58071755	2	PIN	
19.2	F0851486000	4	SPLIT PIN	
19.3	58070482	2	PIN	
20	58075987	1	3-POINT HITCH	
20.1	58173072	1	JOINT	
20.2	56073059	1	REDUCING BUSH	
21	31112150	2	SCREW TE M8X20 UNI 5739 8G	
22	F0843643060	2	WASHER 8	
23	58170449	1	RETAINING SPRING	
24	59070448	1	FIXING BRACKET	

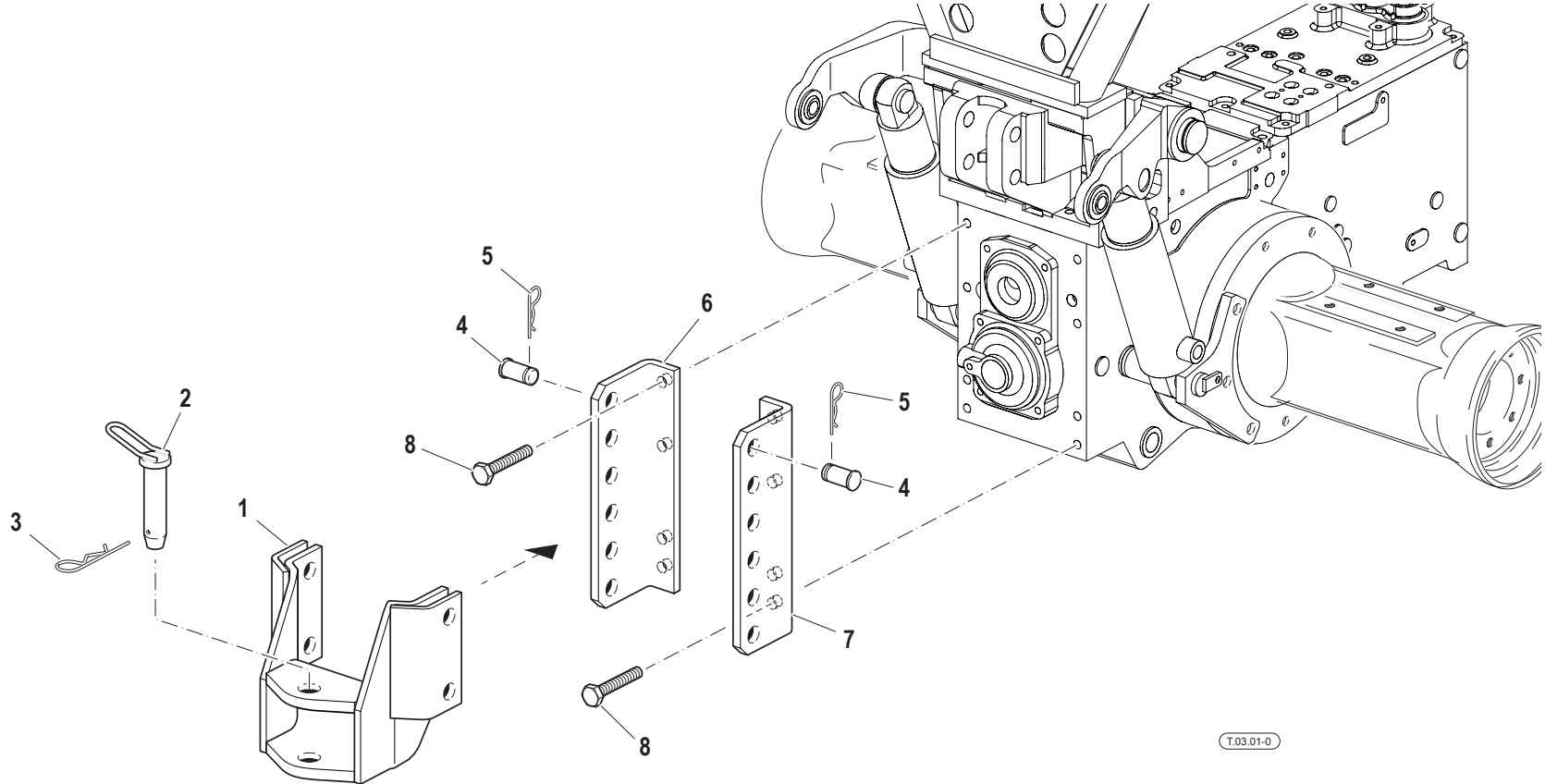
SERIAL

IMPLEMENTS ATTACHMENT - ADJUSTABLE ARMS WITH QUICK HITCHES

CODE REV

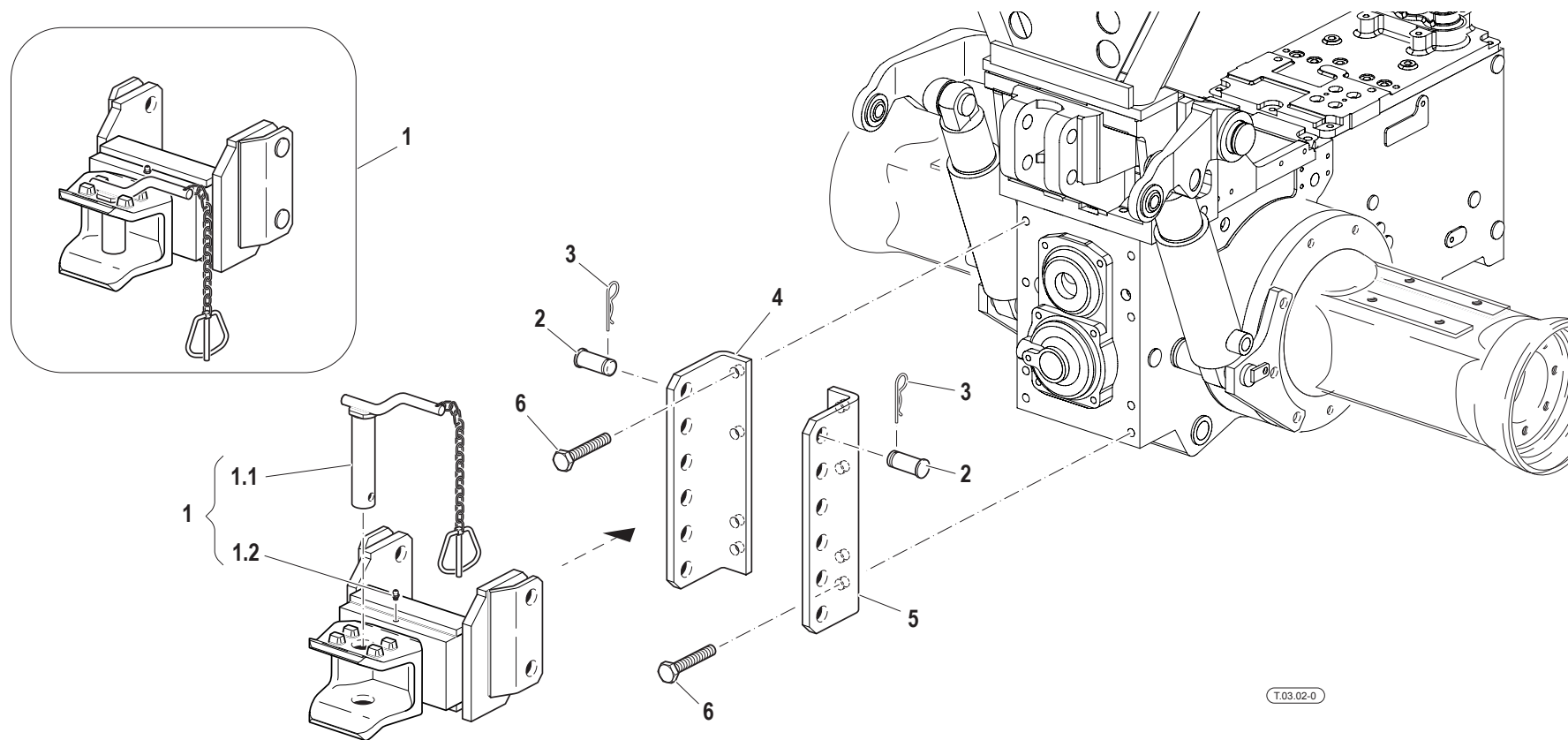
T.01.03_0_41614

PULL HOOK - STANDARD

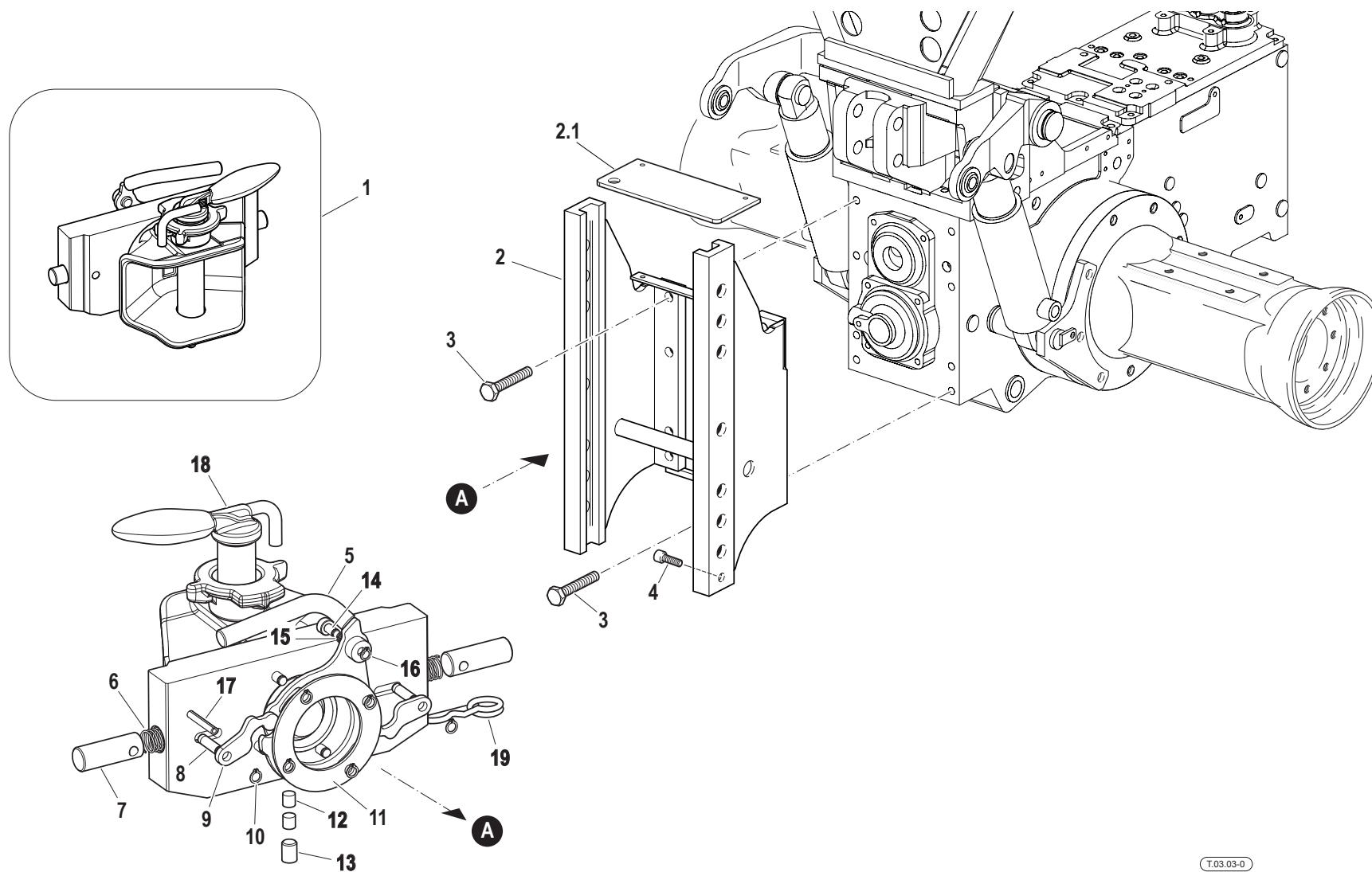


T.03.01-0

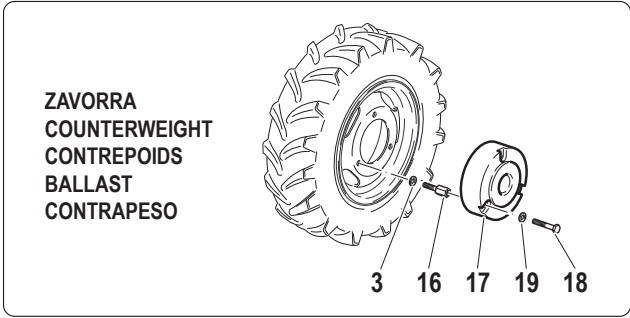
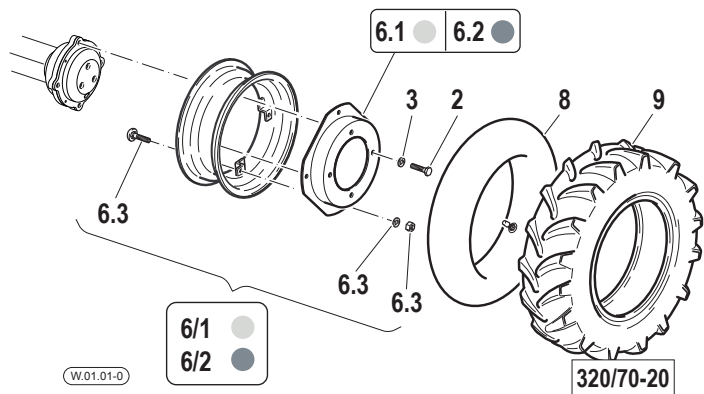
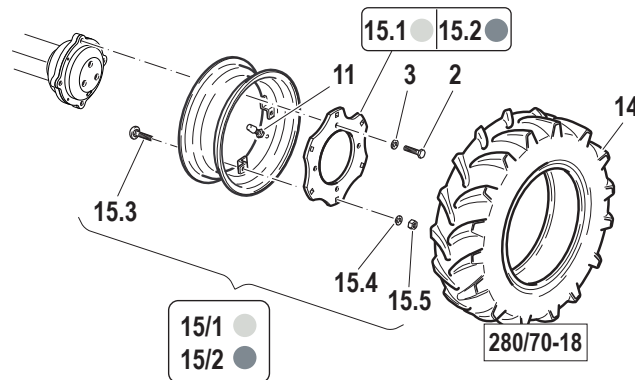
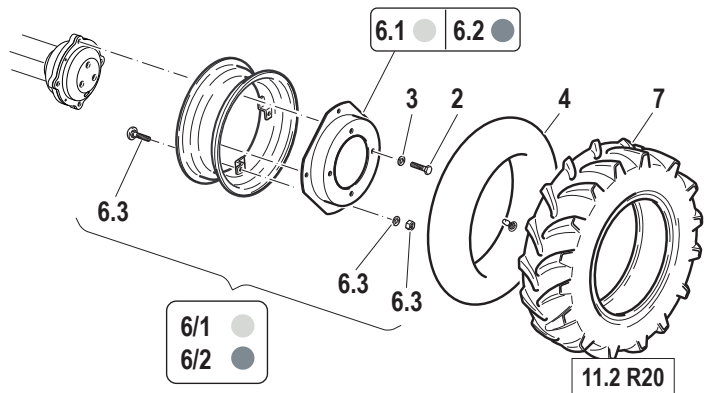
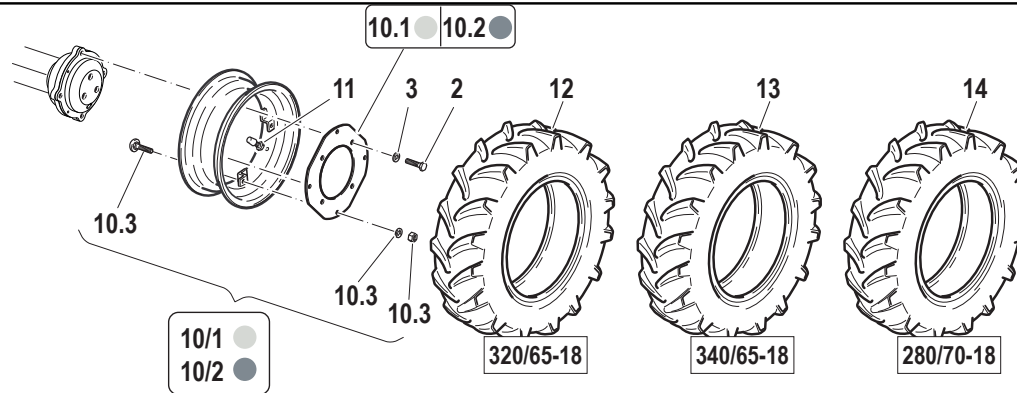
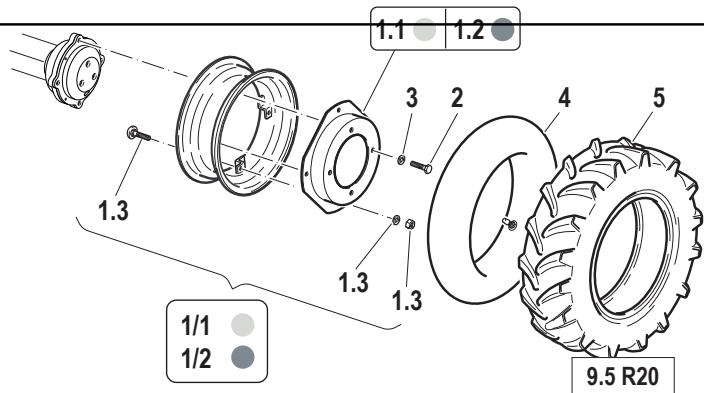
Pos.	Code	Q.ty	Description	Notes
1	59070702	1	TOW HOOK	
2	F0808060100	1	LATCH D.28X117	
3	F0851497000	1	SPLIT PIN	
4	56370696	4	PIN	
5	F0851486000	4	SPLIT PIN	
6	56170704	1	SUPPORT	
7	56170705	1	SUPPORT	
8	F0864180000	8	SCREW M14X30 UNI 5740	



Pos.	Code	Q.ty	Description	Notes
1	59375009	1	TOW HOOK	
1.1	59075012	1	PIN	
1.2	F0826056000	1	LUBRICATOR M10 UNI 7663A	
2	56375008	4	PIN	
3	F0851486000	4	SPLIT PIN	
4	56170704	1	SUPPORT	
5	56170705	1	SUPPORT	
6	F0864180000	8	SCREW M14X30 UNI 5740	



Pos.	Code	Q.ty	Description	Notes
1	59377734	1	CLEVIS	
2	59377730	1	CHASSIS FRAME	
2.1	58177732	1	GUARD	
3	F0864222010	8	SCREW M14X1,5/40 5738	
4	31152103	2	SCREW TCEI M10X25 UNI 5931	
5	58177736	1	LEVA SBLO.COMP.(81.0121.01.03)	
6	58177737	2	SPRING	
7	58177738	2	PIN	
8	58177739	6	PIN	
9	58177740	2	CONNECTING ROD	
10	F0801028000	6	RING	
11	58177741	1	DISC	
12	58177742	2	PAD	
13	F0863672010	1	SCREW	
14	58177743	1	PIN	
15	58177744	1	SPRING	
16	F0801022000	1	SEEGER RING	
17	34211064	1	ROLL PIN	
18	58177745	1	PIN	
19	58177746	1	SPLIT PIN	



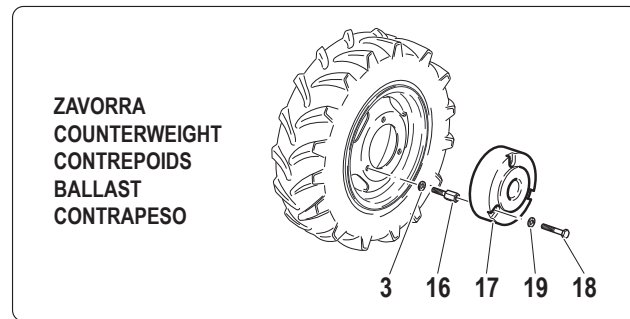
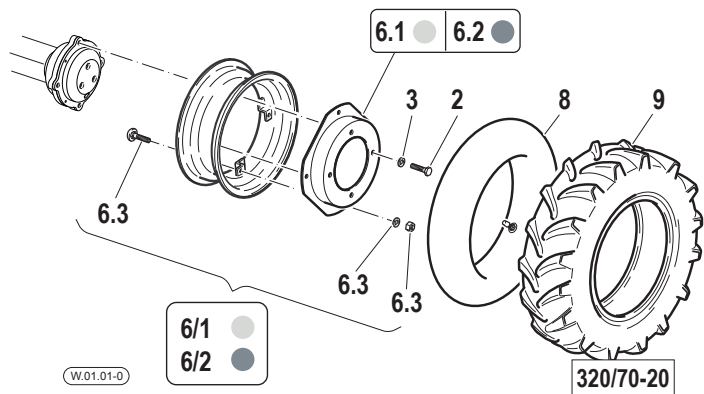
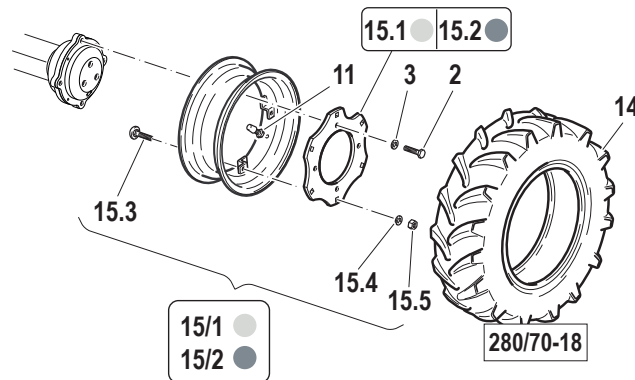
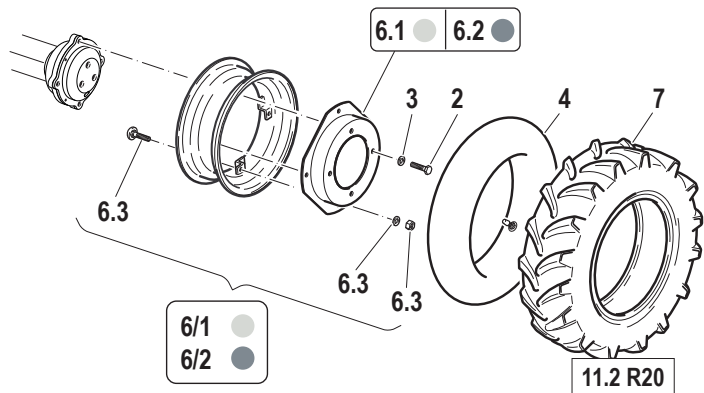
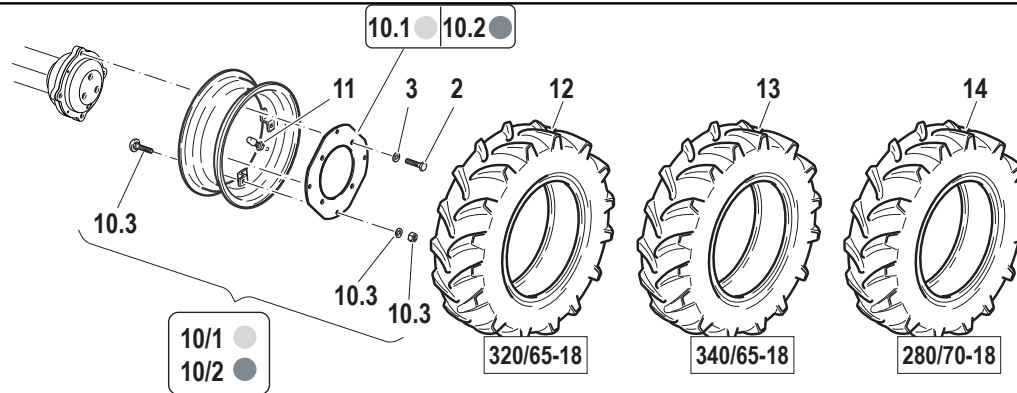
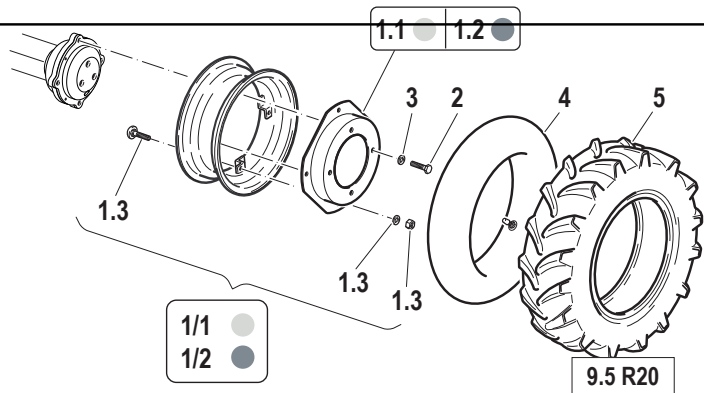
Pos.	Code	Q.ty	Description	Notes
1.1	58170181	1	DISC	
1/1	59270304	1	RIM	
1/2	59273925	1	RIM	
1.2	58175965	1	DISC	
1.3	59900361	1	KIT	
2	F0864410500	4	SCREW M18X1,5/45 U/5740	
3	F0844150000	1	WASHER D.30x18,5/5	
4	F0848920000	1	INNER TUBE	
5	F0848664000	1	TYRE 9.5-R20	
6.1	58176323	1	FLANGIA CERCHIO W10X20 RAL1003	
6/1	59276320	1	RIM	
6/2	59276321	1	RIM	
6.2	58176324	1	FLANGIA CERCHIO W10X20 RAL9006	
6.3	59900361	1	KIT	
7	F0848680000	1	TYRE 11.2-R20	
8	F0848940000	1	INNER TUBE	
9	F0848679500	1	TYRE 320/70R20	
10.1	58175630	1	RIM	
10/1	59275632	1	RIM	
10/2	59275633	1	RIM	
10.2	58175966	1	RIM	
10.3	59900361	1	KIT	
11	F0150010905	1	VALVE	
12	F0848679600	1	TYRE	
13	P000000009122	1	TYRE 340/65R18	
14	F0848655100	1	TYRE 280/70R18	
15.1	58175393	1	FLANGIA CERCHIO W8X18 RAL 1003	
15/1	59277990	1	RIM	
15/2	59277991	1	RIM	
15.2	58175967	1	FLANGIA CERCHIO W8X18 RAL 9006	
15.3	F0864357050	6	SCREW M16x1,5/40	
15.4	F0844082000	6	WASHER 17X32/4	
15.5	F0814793010	6	HEXAGON NUT M16X1.5	
16	56370539	4	SCREW	

SERIAL

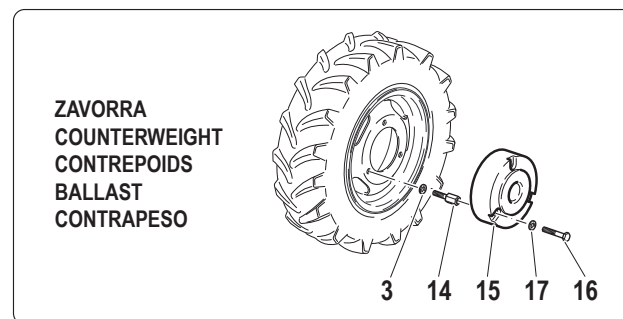
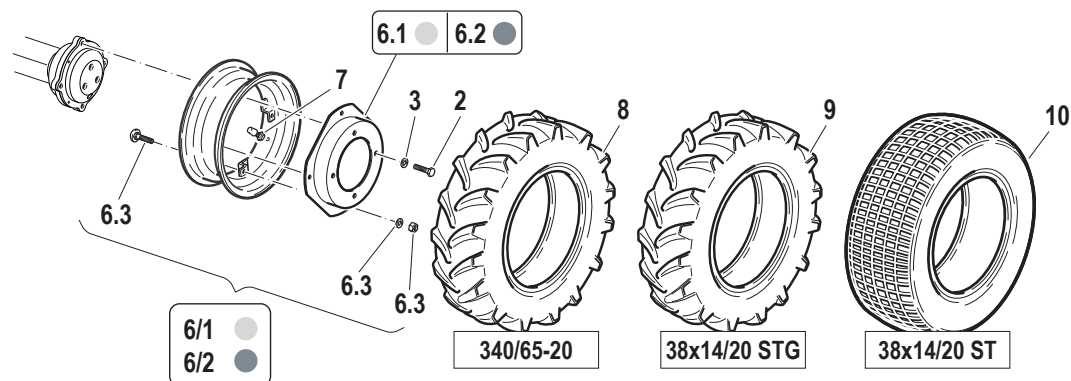
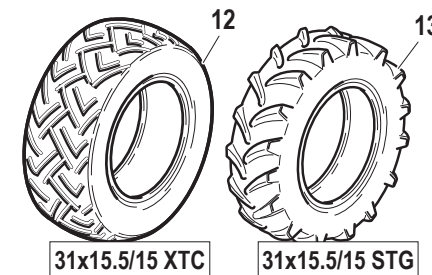
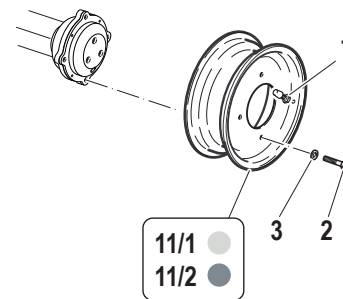
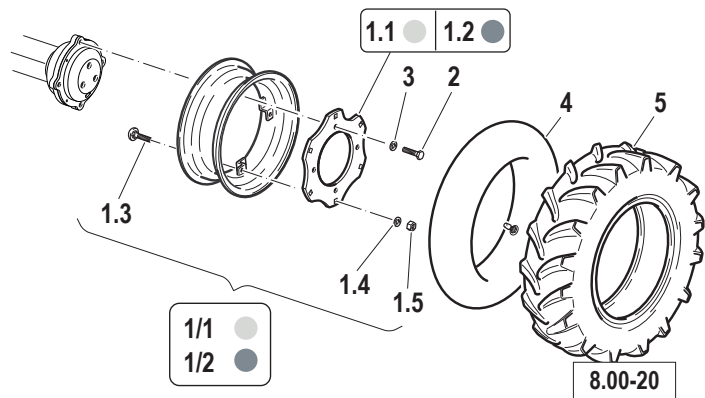
WHEELS AND TYRES (TABLE 1/2)

CODE REV

W.01.01_0_44125

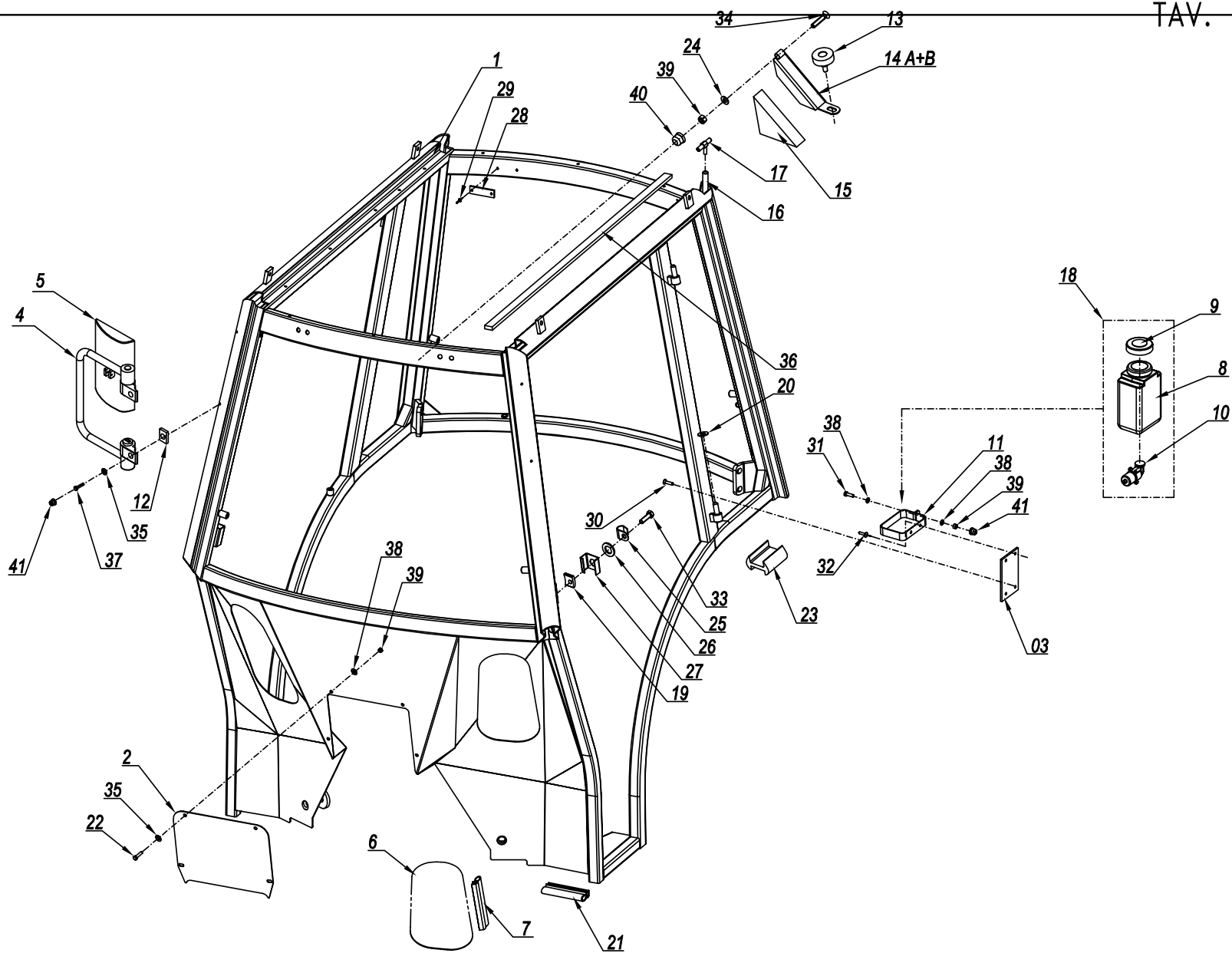


Pos.	Code	Q.ty	Description	Notes
17	51177257	1	BALLAST	
18	F0864314000	4	SCREW	
19	F0843993060	4	WASHER	



Pos.	Code	Q.ty	Description	Notes
1.1	56177416	1	DISCO CERCHIO 5,50X20 RAL 1003	
1/1	59277415	1	RIM	
1.2	56177417	1	DISCO CERCHIO 5,50X20 RAL 9006	
1/2	59277414	1	RIM	
1.3	F0864357100	5	SCREW M16x1,5x120 UNI5731	
1.4	F0844084000	5	WASHER D.35x17/4	
1.5	31221161	5	NUT M16X1,5	
2	F0864410500	4	SCREW M18X1,5/45 U/5740	
3	F0844150000	4	WASHER D.30x18,5/5	
4	F0848920000	1	INNER TUBE	
5	39118528	1	TYRE 8.00X20/8	
6.1	58176323	1	FLANGIA CERCHIO W10X20 RAL1003	
6/1	59276965	1	RIM	
6/2	59276964	1	RIM	
6.2	58176324	1	FLANGIA CERCHIO W10X20 RAL9006	
6.3	59900361	1	KIT	
7	F0150010905	1	VALVE	
8	F0848679700	1	TYRE 340/65 R20	
9	F0848683500	1	TYRE 38X14.00-20 8PR	
10	F0848683000	1	TYRE	
11/1	58178571	1	RIM	
11/2	58178572	1	RIM	
12	F0848681600	1	TYRE 31X15.5-15 8PR	
13	F0848681605	1	TYRE 31X15.5-15	
14	56370539	4	SCREW	
15	51177257	1	BALLAST	
16	F0864314000	4	SCREW	
17	F0843993060	4	WASHER	

TAV. I



Pos.	Code	Q.ty	Description	Notes
1	59900378	1	CHASSIS FRAME	
2	59900379	1	STRIKER PLATE	
3	59900380	1	TANK SUPPORT	
4	59900381	2	ROD	
5	59900006	2	SUMP	
6	59900007	1	FRONT GLASS	
7	59900382	2	GASKET	
8	59900009	1	TANK	
9	59900010	1	TANK COVER	
10	59900011	1	ELECTRIC PUMP	
11	59900012	1	TANK SUPPORT	
12	59900383	4	SHIM	
13	59900013	1	KNOB	
15	59900386	2	FOAM RUBBER	
16	59900387	1	PIPE	
17	59900388	1	PIPE FITTING	
18	59900389	1	TANK	
19	59900028	2	SMALL PLATE	
20	59900390	4	ALUMINIUM GASKET WASHER M12X18	
21	59900391	1	GASKET	
22	31112093	4	SCREW TE M6X20	
23	59900392	2	GASKET	
24	59900393	2	ELASTIC WASHER M8 D.17MM	
25	59900026	2	CLEVIS	
26	59900027	2	SHIM M12X36	
27	59900394	2	PIN HOLDER	
28	59900029	1	PLATE	
29	59900030	2	RIVET	
30	59900395	2	RIBBED SCREW 6,5X20	
31	59900396	1	HEXAGON SCREW M6X15	
32	59900397	2	RIVET	
33	59900034	2	PIN	
34	P000000005545	2	SCREW	
35	59900398	8	WASHER M6X18	

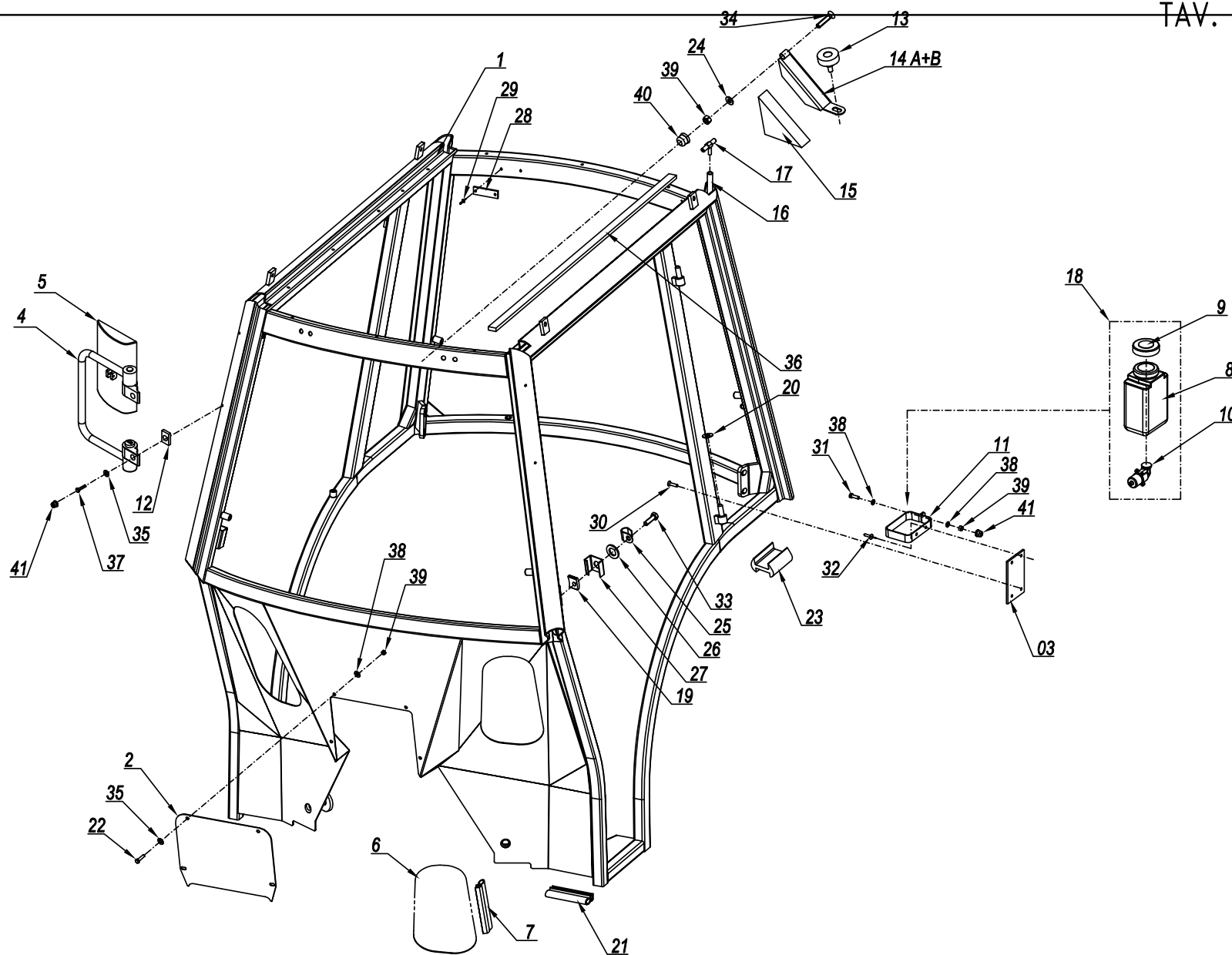
SERIAL

FRAME "LOCHMANN"

CODE REV

Y.01.01_0_44535

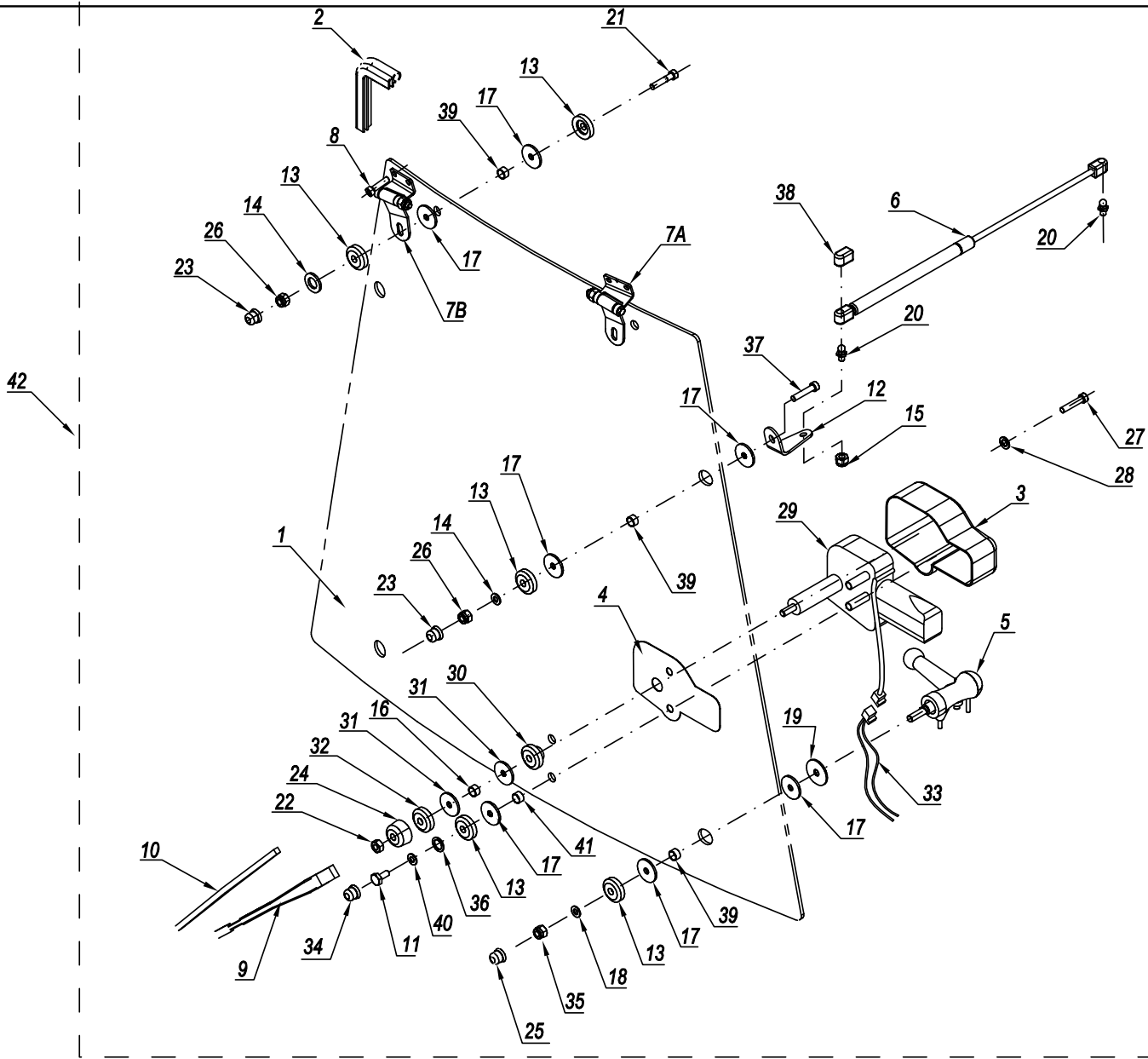
TAV. I



Pos.	Code	Q.ty	Description	Notes
36	59900399	1	FOAM RUBBER	
37	59900035	4	SCREW 6X20	
38	31411064	6	WASHER 6,4x12,5	
39	31241060	6	HEXAGON SELFLOCK NUT M6	
40	59900109	2	NUT COVER	
41	59900037	5	NUT COVER	
14a	59900384	1	TRIANGLE	
14b	59900385	1	TRIANGLE	

FRONT GLASS "LOCHMANN"

TAV. II



Pos.	Code	Q.ty	Description	Notes
1	59900090	1	FRONT GLASS	
2	59900400	1	GASKET	
3	59900401	1	COVER	
4	59900093	1	DECAL	
5	59900094	2	HANDLE	
6	59900095	2	PNEUMATIC SPRING	
8	31152081	4	SCREW TCEI M8X20 UNI 5931	
9	59900098	1	WIPER ARM	
10	59900098	1	WIPER ARM	
11	F0862261010	1	HEXAGON HEAD SCREW	
12	59900402	2	SUPPORT	
13	59900102	9	PLASTIC WASHER 10x36/8	
14	31411084	4	WASHER 8,4x17	
15	31241081	2	HEXAGON SELFLOCK NUT	
16	59900403	1	SPACER	
17	59900074	13	WASHER	
18	31411105	1	WASHER 10,5x21	
19	59900404	2	WASHER FOR SUPPORTING M10X36	
20	59900106	4	JOINT	
21	31122805	2	SCREW M8X40 UNI 5731	
22	31211060	1	HEXAGONAL NUT M8	
23	59900109	4	NUT COVER	
24	59900107	1	PIN COVER	
25	59900108	2	NUT COVER	
26	31241080	4	HEXAGON SELFLOCK NUT M8	
27	59900405	2	SCREW	
28	59900406	2	WASHER FOR FIXTING	
29	59900092	1	WIPER MOTOR	
30	59900407	1	WASHER M16 D.30MM	
31	59900408	2	RUBBER WIPER MOTOR WASHER	
32	59900409	1	CONICAL WASHER FOR WIPER MOTOR	
33	59900410	1	CABLE	
34	59900037	1	NUT COVER	
35	31241100	1	SELFLOCK HEXAGON NUT M10	

SERIAL

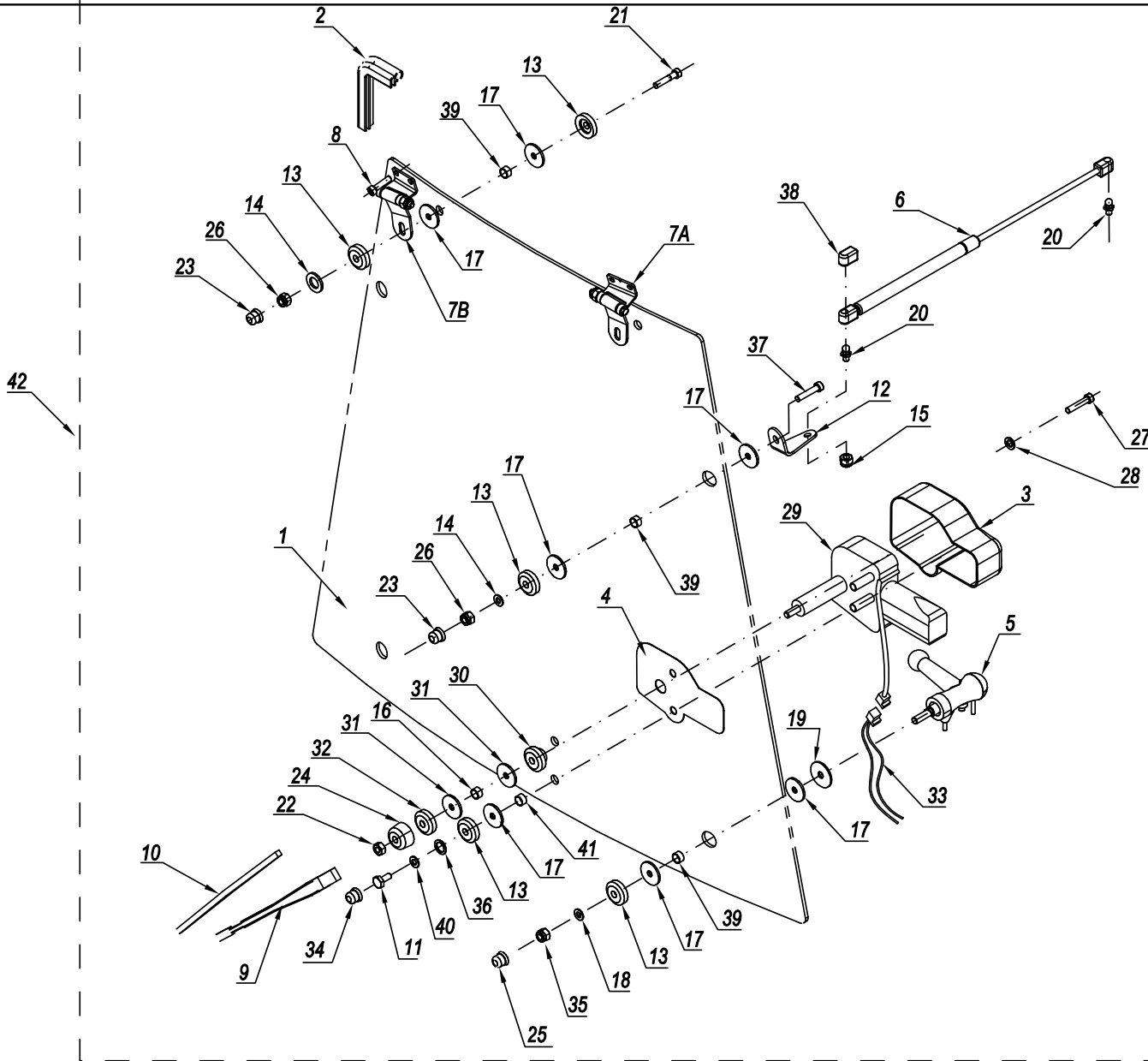
FRONT GLASS "LOCHMANN"

CODE REV

Y.01.02_0_44621

FRONT GLASS "LOCHMANN"

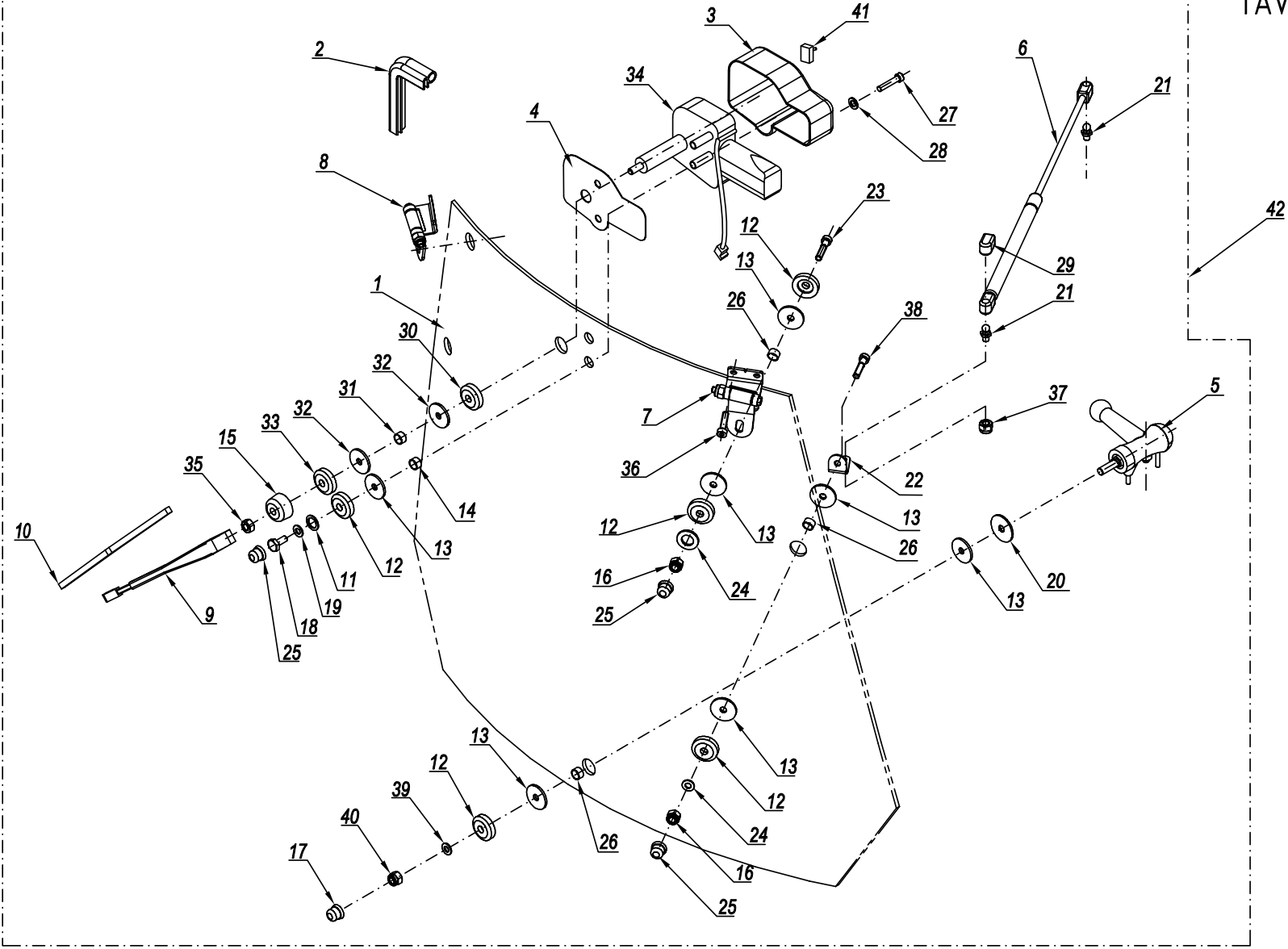
TAV. II



Pos.	Code	Q.ty	Description	Notes
36	59900411	1	WASHER M6X24	
37	58090333	2	SCREW	
38	59900119	4	HEAD	
39	59900103	6	RING	
40	31411064	1	WASHER 6,4x12,5	
41	59900138	1	NYLON RING HINGE 14X13	
42	59900412	1	FRONT GLASS	
7a	59900096	1	LH HINGE	
7b	59900097	1	RH HINGE	

REAR GLASS "LOCHMANN"

TAV. III



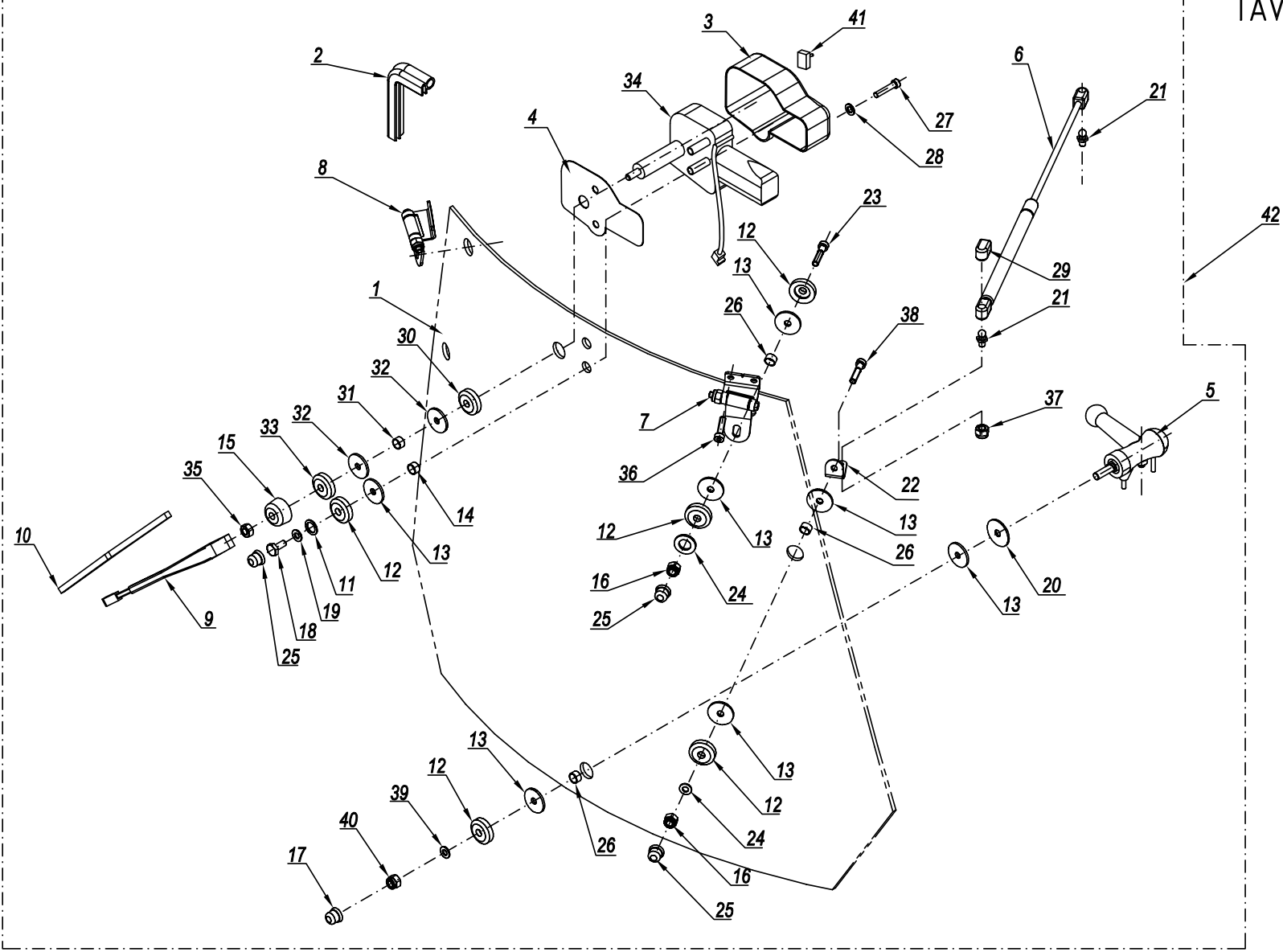
Pos.	Code	Q.ty	Description	Notes
1	59900132	1	REAR GLASS	
2	59900413	1	GLASS GASKET	
3	59900414	1	COVER	
4	59900093	1	DECAL	
5	59900094	1	HANDLE	
6	59900095	2	PNEUMATIC SPRING	
8	59900136	1	LH HINGE	
9	59900098	1	WIPER ARM	
10	59900098	1	WIPER ARM	
11	59900411	1	WASHER M6X24	
12	59900102	8	PLASTIC WASHER 10x36/8	
13	59900074	9	WASHER	
14	59900138	1	NYLON RING HINGE 14X13	
15	59900107	1	PIN COVER	
16	31241080	4	HEXAGON SELFLOCK NUT M8	
17	59900108	1	NUT COVER	
18	F0862261010	1	HEXAGON HEAD SCREW	
19	31411064	1	WASHER 6,4x12,5	
20	59900407	1	WASHER M16 D.30MM	
21	59900106	4	JOINT	
22	59900402	2	SUPPORT	
23	31122805	2	SCREW M8X40 UNI 5731	
24	31411084	4	WASHER 8,4x17	
25	59900109	4	NUT COVER	
26	59900103	5	RING	
27	59900405	2	SCREW	
28	59900406	2	WASHER FOR FIXTING	
29	59900119	4	HEAD	
30	59900407	1	WASHER M16 D.30MM	
31	59900403	1	SPACER	
32	59900408	2	RUBBER WIPER MOTOR WASHER	
33	59900409	1	CONICAL WASHER FOR WIPER MOTOR	
34	59900134	1	WIPER MOTOR	
35	31211060	1	HEXAGONAL NUT M8	

SERIAL

REAR GLASS "LOCHMANN"

CODE REV

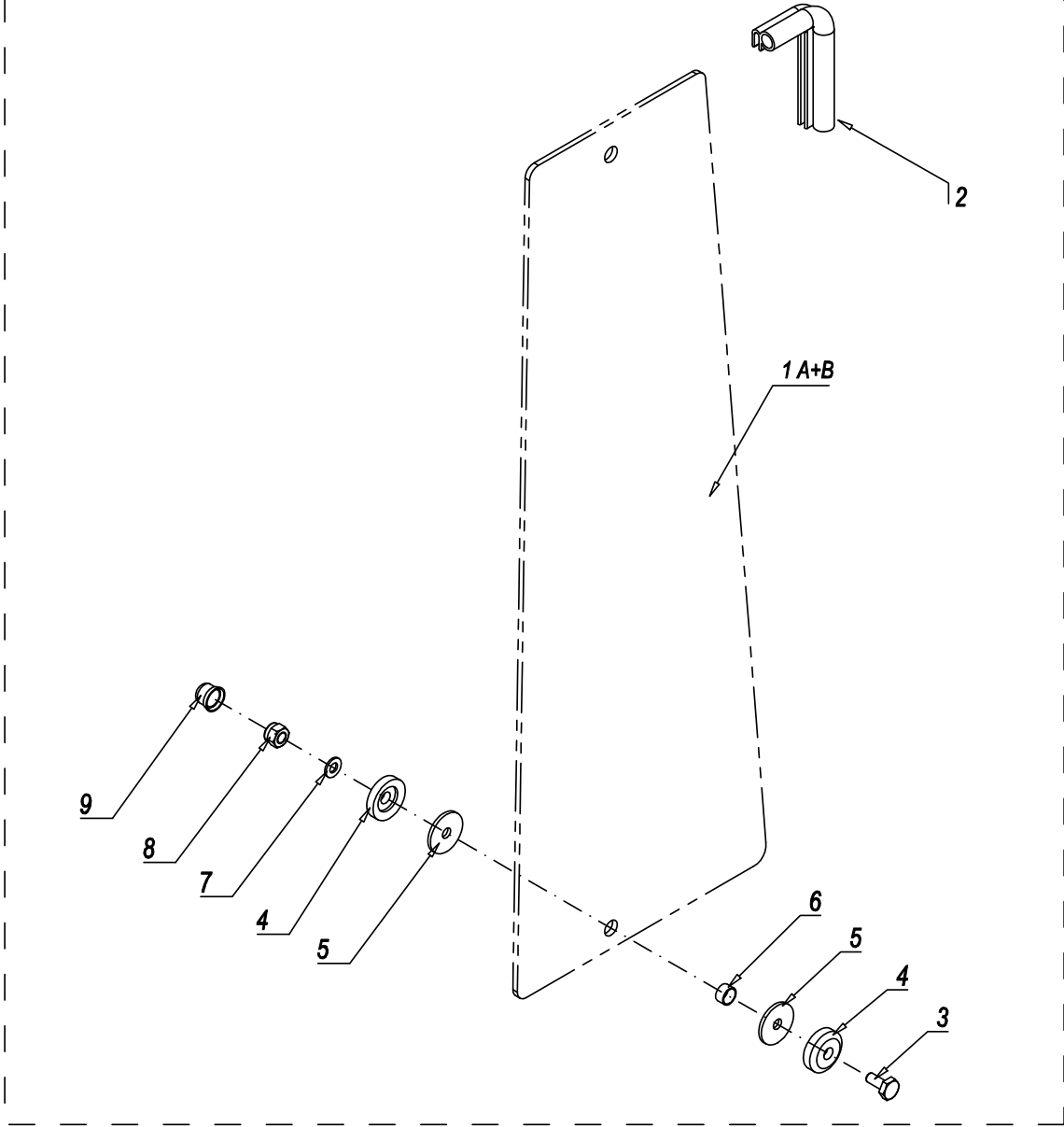
Y.01.03_0_44709



Pos.	Code	Q.ty	Description	Notes
36	31152081	4	SCREW TCEI M8X20 UNI 5931	
37	31241081	2	HEXAGON SELFLOCK NUT	
38	58090333	2	SCREW	
39	31411105	1	WASHER 10,5x21	
40	31241100	1	SELFLOCK HEXAGON NUT M10	
41	59900415	1	SWITCH	
42	59900416	1	REAR GLASS	
7a	59900135	1	CERNIERA VETRO POSTERIORE DX	

SIDE GLASS "LOCHMANN"

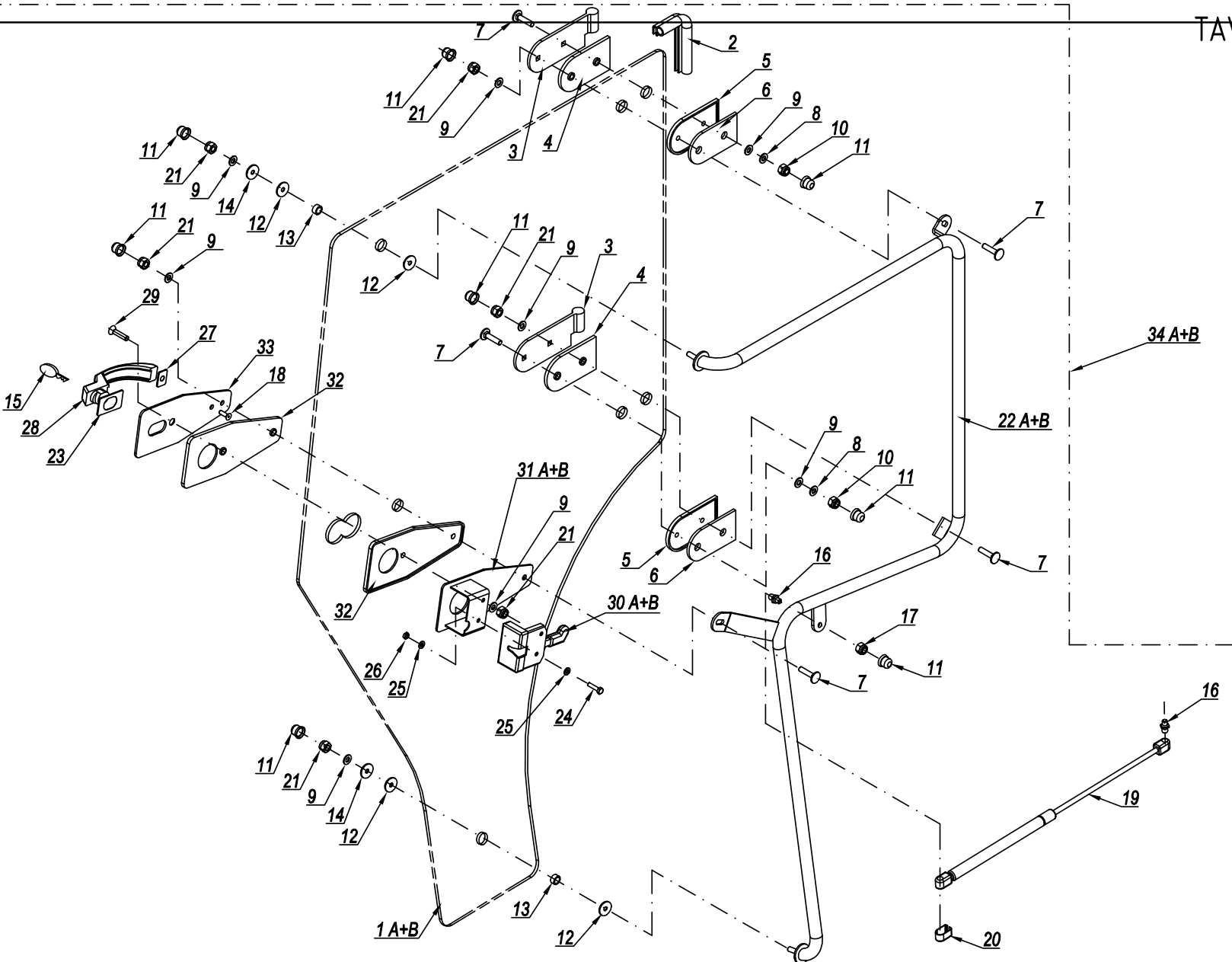
TAV. IV



Pos.	Code	Q.ty	Description	Notes
2	59900419	1	GLASS GASKET	
3	31122805	2	SCREW M8X40 UNI 5731	
4	59900102	4	PLASTIC WASHER 10x36/8	
5	59900074	4	WASHER	
6	59900103	2	RING	
7	31411084	2	WASHER 8,4x17	
8	31241080	2	HEXAGON SELFLOCK NUT M8	
9	59900109	2	NUT COVER	
1a	59900417	1	RH SIDE GLASS	
1b	59900418	1	LH SIDE GLASS	
10a	59900420	1	RH SIDE GLASS	
10b	59900421	1	LH SIDE GLASS	

LEFT/RIGHT DOOR "LOCHMANN"

TAV. V



Pos.	Code	Q.ty	Description	Notes
2	59900423	1	GLASS GASKET	
3	59900424	2	RH HINGE	
4	59900425	2	GASKET	
5	59900426	2	GASKET	
6	59900427	2	PLATE	
7	58090333	4	SCREW	
8	59900117	2	WASHER 11,4 M8	
9	31411084	8	WASHER 8,4x17	
10	31211060	2	HEXAGONAL NUT M8	
11	59900109	9	NUT COVER	
12	59900074	4	WASHER	
13	59900103	2	RING	
14	59900102	2	PLASTIC WASHER 10x36/8	
15	59900428	1	KEY	
16	59900106	2	JOINT	
17	31241081	1	HEXAGON SELFLOCK NUT	
18	59900429	1	NYLON DISTANCE RING	
19	59900118	1	PNEUMATIC SPRING	
1a	59900377	1	GLASS	
1b	59900422	1	RH DOORGLASS	
20	59900119	2	HEAD	
21	31241080	5	HEXAGON SELFLOCK NUT M8	
23	59900131	1	GASKET	
24	59900432	2	HEXAGON HEAD SCREW	
25	31411064	4	WASHER 6,4x12,5	
26	31241060	2	HEXAGON SELFLOCK NUT M6	
27	59900130	1	GASKET	
28	59900129	1	DOOR HANDLE	
29	F0862728000	1	SCREW M8x30 UNI 5933	
32	59900127	1	GASKET	
33	59900128	1	PLATE	
22a	59900430	1	DOOR HANDLE	
22b	59900431	1	DOOR HANDLE	
30a	59900123	1	LOCK SMALL BLOCK	

SERIAL

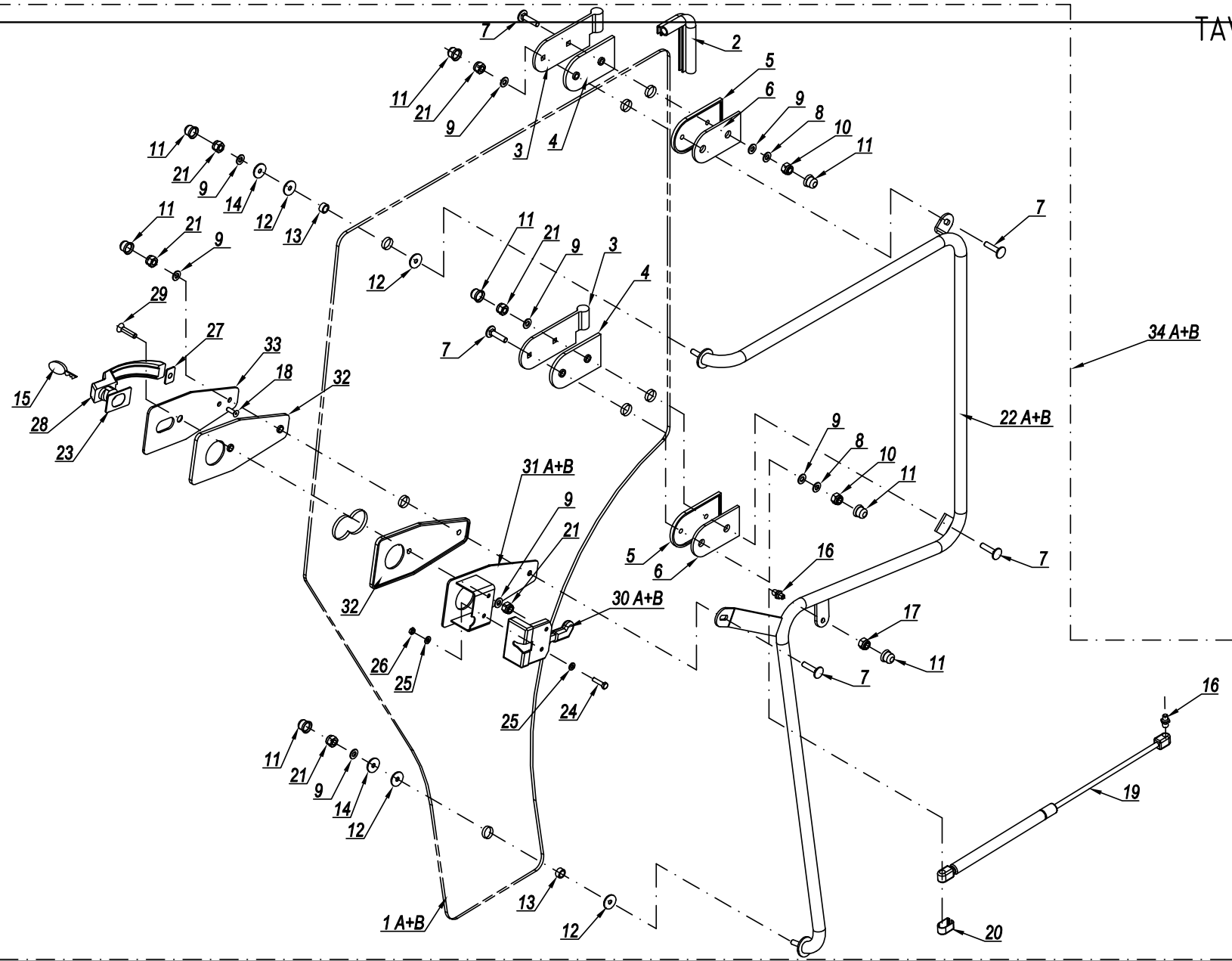
LEFT/RIGHT DOOR "LOCHMANN"

CODE REV

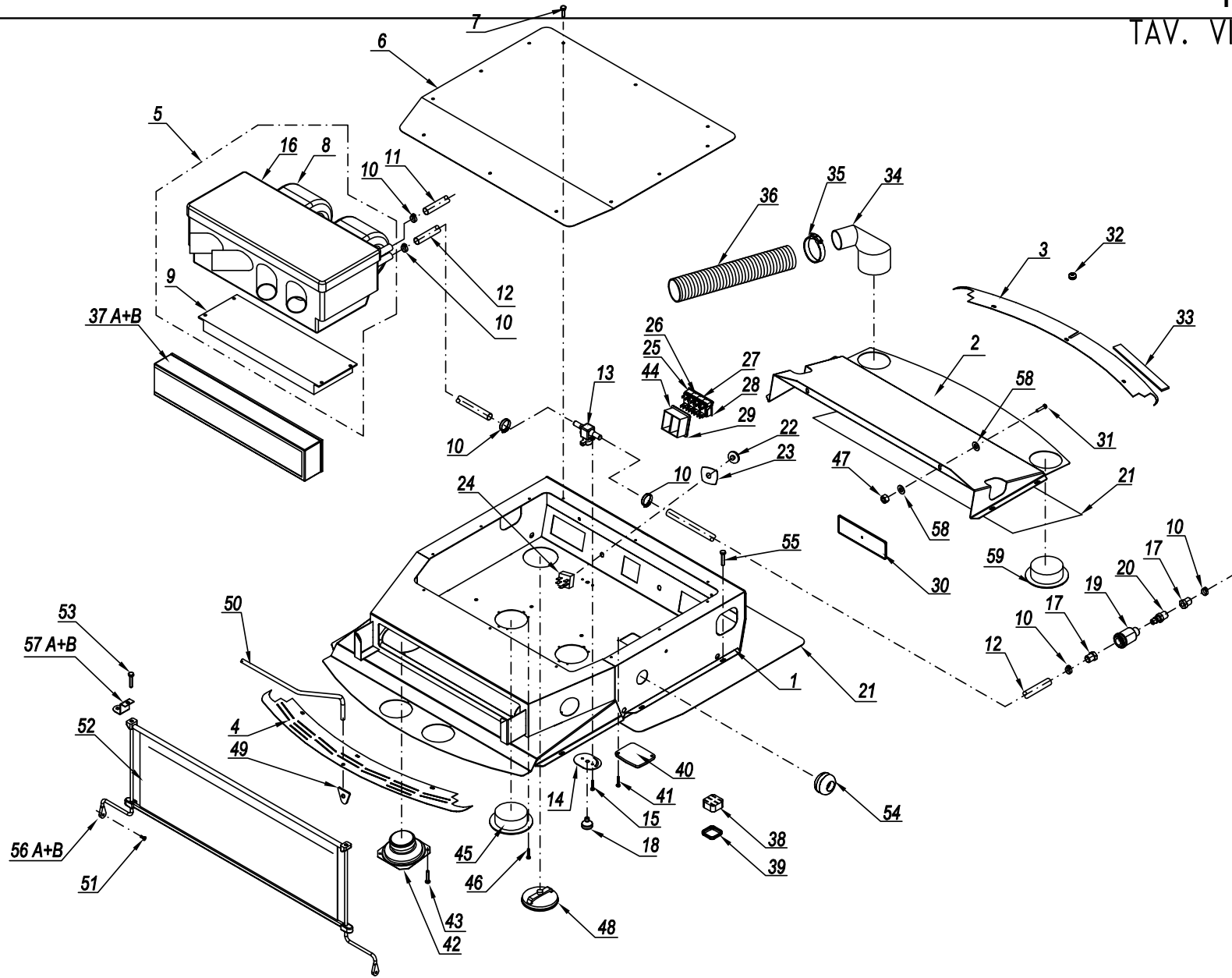
Y.01.05_0_44795

LEFT/RIGHT DOOR "LOCHMANN"

TAV. V



Pos.	Code	Q.ty	Description	Notes
30b	59900124	1	LOCK SMALL BLOCK	
31a	59900125	1	SUPPORT	
31b	59900126	1	SUPPORT	
34a	59900433	1	CAB DOOR - LEFT	
34b	59900434	1	CAB DOOR RIGHT	



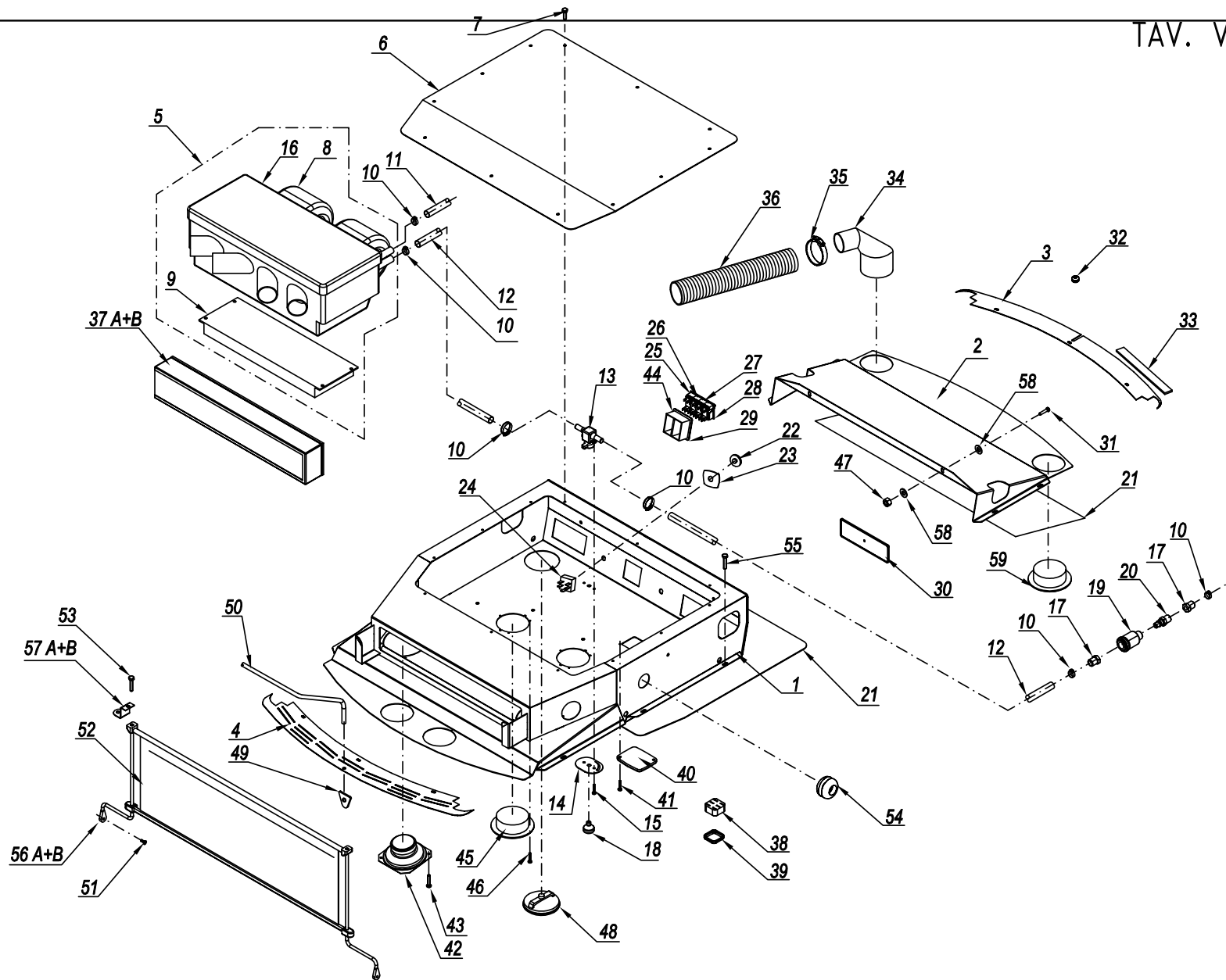
Pos.	Code	Q.ty	Description	Notes
1	59900435	1	INNER CAB ROOF PANEL	
2	59900436	1	SHEET	
3	59900055	1	FASTENER	
4	59900059	1	FASTENER	
5	59900437	1	UNIT	
6	59900438	1	GEARBOX HOUSING COVER	
7	59900439	9	SUNK HEAD RIBBED SCREW	
8	59900440	1	DIGITAL INSTRUMENT	
9	59900441	1	RADIATOR	
10	59900071	8	PIPE CONNECTION	
11	59900442	1	PIPE	
12	59900443	1	PIPE	
13	59900068	1	COCK OR TAP	
14	59900444	1	FRONT GRILLE	
15	59900036	2	RIBBED SCREW	
16	59900445	1	KIT	
17	59900020	4	PIPE FITTING	
18	59900070	1	KNOB	
19	59900018	2	CONNECTION	
20	59900019	2	CONNECTION	
21	59900446	1	LINING	
22	59900447	1	KNOB	
23	59900448	1	PLATE	
24	59900449	1	SWITCH	
25	59900450	1	SWITCH	
26	59900451	1	SWITCH	
27	59900452	1	SWITCH	
28	59900453	1	SWITCH	
29	59900052	2	SWITCH SUPPORT	
30	59900062	1	HOLECOVER	
31	31112093	2	SCREW TE M6X20	
32	59900075	1	GASKET	
33	59900399	1	FOAM RUBBER	
34	59900454	4	PIPE FITTING	

SERIAL

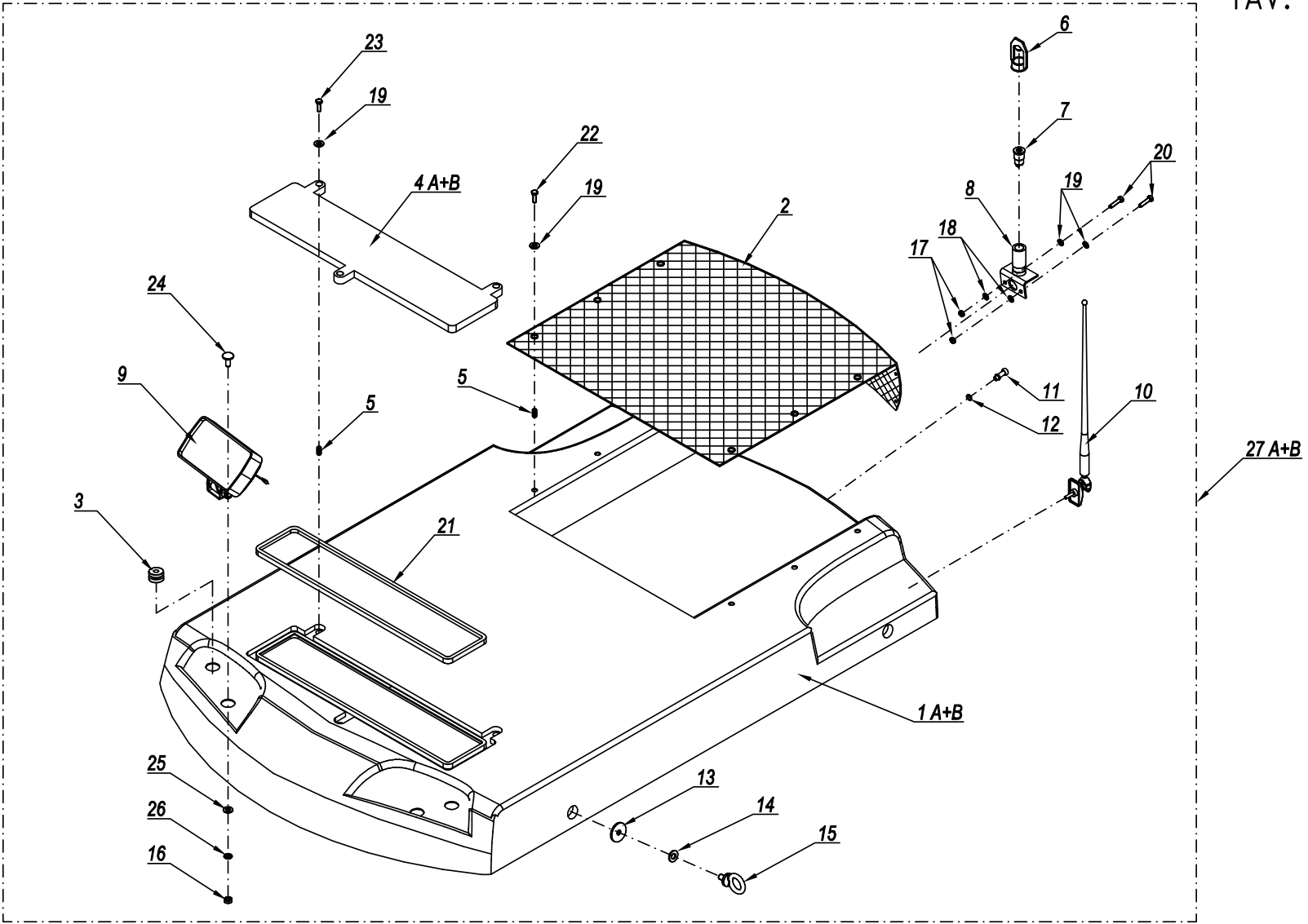
UNDER-ROOF - HEATING "LOCHMANN"

CODE REV

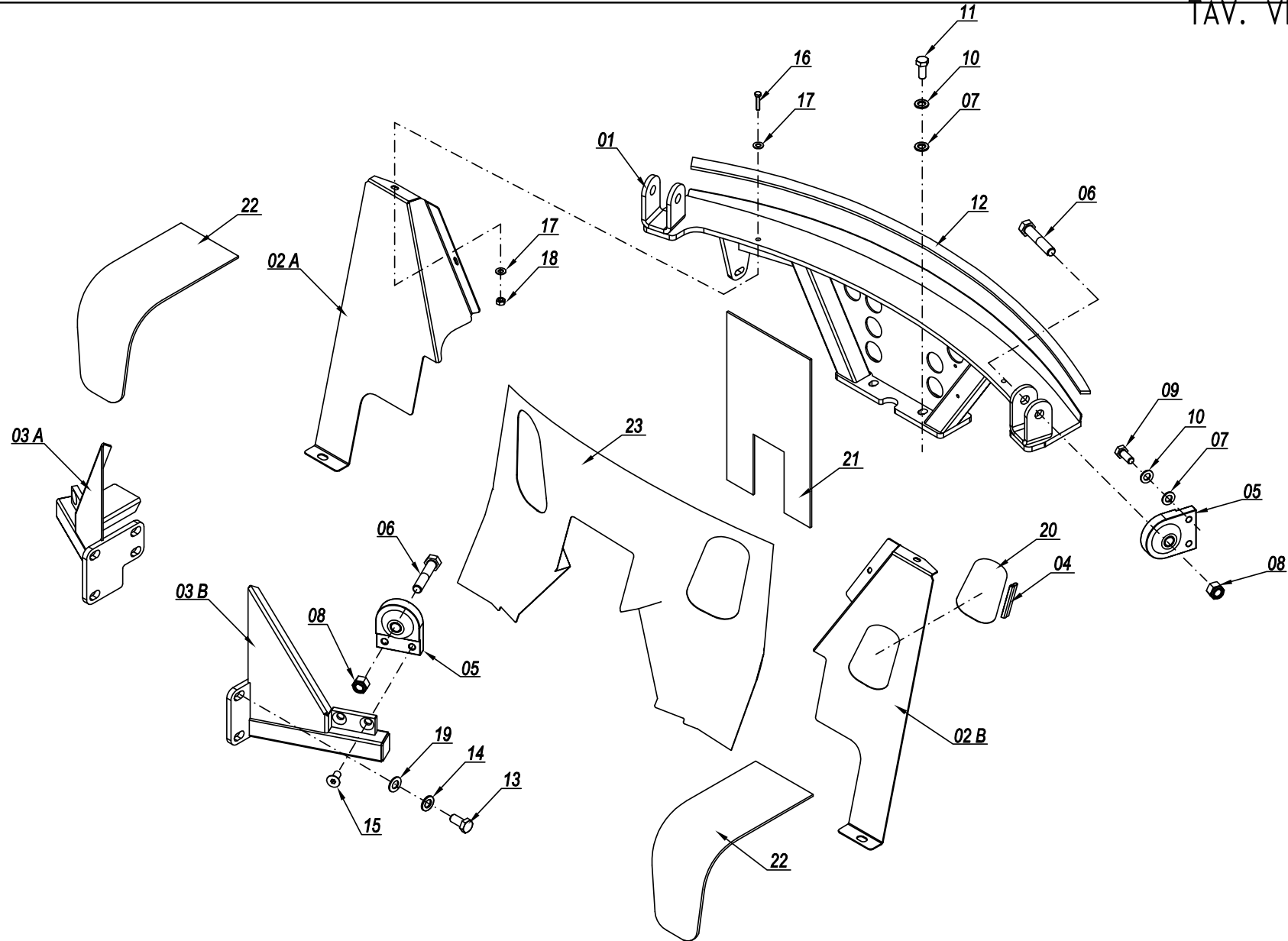
Y.01.06_0_44875



Pos.	Code	Q.ty	Description	Notes
35	59900455	4	HOSE CLIP	
36	59900456	1	PIPE	
38	59900058	1	FUSE-HOLDER	
39	59900057	1	COVER	
40	59900459	1	PLAFONIERA PER VENTILAZIONE	
41	59900460	2	RIBBED SCREW 3,5X16	
42	59900461	2	LOUD SPEAKER	
43	59900462	8	RIBBED SCREW	
44	59900051	2	SWITCH SUPPORT	
45	59900463	2	TONGUE	
46	59900464	6	SUNK HEAD RIBBED SCREW 2,9X19	
47	31241060	2	HEXAGON SELFLOCK NUT M6	
48	59900465	2	TONGUE	
49	59900466	1	COOLING NOZZLE	
50	59900387	1	PIPE	
51	59900467	2	RIBBED SCREW	
52	59900041	1	ROLL-UP SUN-SHADE	
53	59900468	2	RIBBED SCREW 4,8X13	
54	59900469	1	PLUG	
55	59900395	14	RIBBED SCREW 6,5X20	
58	31411064	4	WASHER 6,4x12,5	
59	59900474	4	TONGUE	
37a	59900457	1	FILTER	
37b	59900458	1	CARBON FILTER	
56a	59900470	1	ROD	
56b	59900471	1	ROD	
57a	59900472	1	SUPPORT	
57b	59900473	1	SUPPORT	

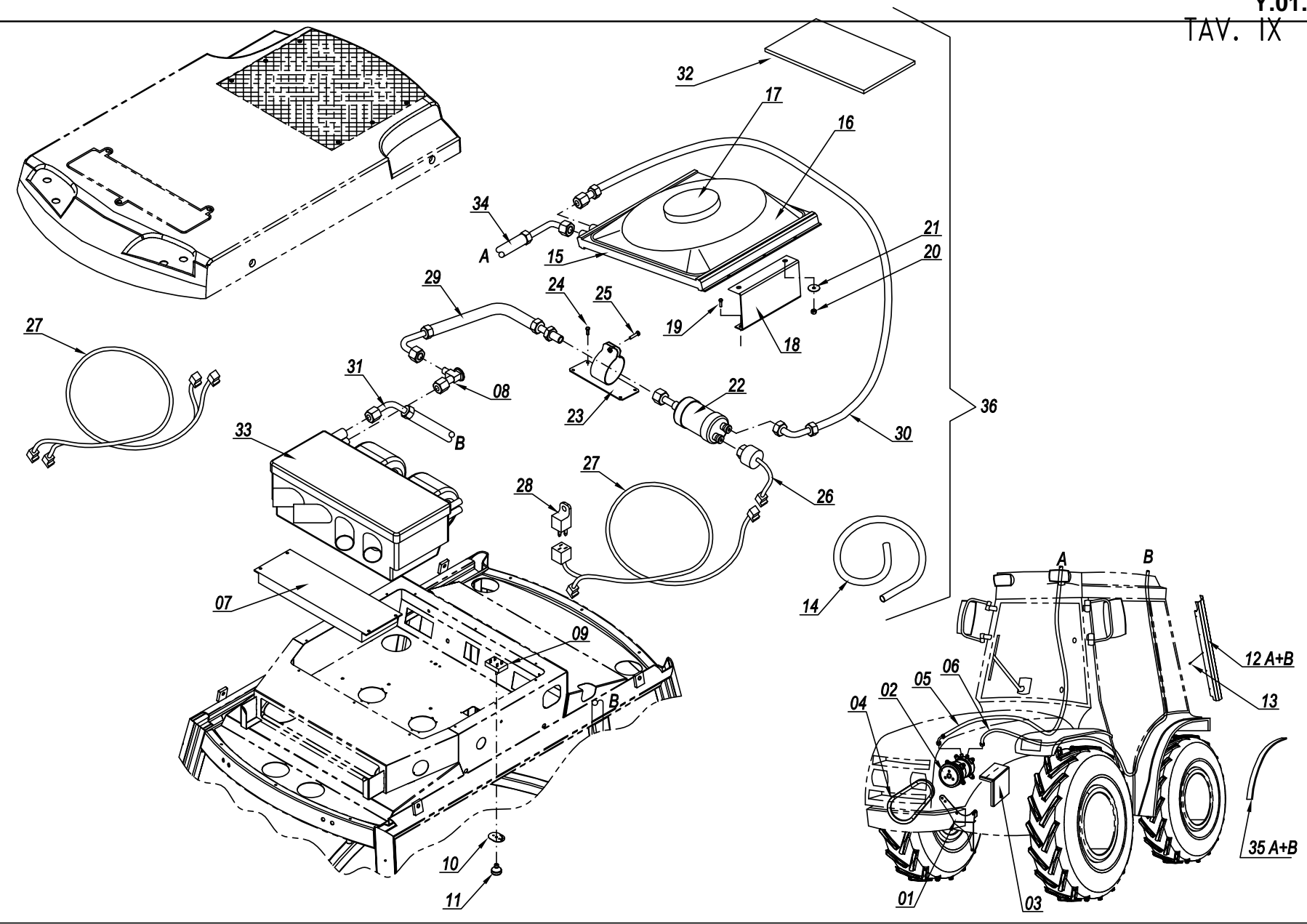


Pos.	Code	Q.ty	Description	Notes
2	59900475	1	SHEET	
3	59900075	4	GASKET	
5	59900476	3	INSERT	
6	59900046	1	PLASTIC PLUG	
7	59900047	1	SOCKET	
8	59900048	1	SUPPORT	
9	59900049	4	WORKING SPOTLIGHT	
10	59900050	1	AERIAL	
11	59900466	1	COOLING NOZZLE	
12	59900477	1	RUBBER PLUG	
13	59900074	4	WASHER	
14	59900404	4	WASHER FOR SUPPORTING M10X36	
15	59900073	4	GOLFARO MASCHIO	
16	31211060	4	HEXAGONAL NUT M8	
17	31241060	2	HEXAGON SELFLOCK NUT M6	
18	59900398	2	WASHER M6X18	
19	31411064	17	WASHER 6,4x12,5	
1a	59900038	1	ROOF	
1b	59900039	1	ROOF	
20	59900432	2	HEXAGON HEAD SCREW	
21	59900478	1	FOAM RUBBER	
22	59900396	11	HEXAGON SCREW M6X15	
23	31112093	3	SCREW TE M6X20	
24	31121801	4	SCREW TTQ M8X20 UNI 5731	
25	31411090	4	WASHER 9x24	
26	59900117	4	WASHER 11,4 M8	
4a	59900042	1	COVER	
4b	59900043	1	COVER	
27a	59900479	1	ROOF	
27b	59900480	1	ROOF	



Pos.	Code	Q.ty	Description	Notes
1	59900481	1	SUPPORT	
4	59900382	1	GASKET	
5	59900082	4	SILENT-BLOCK	
6	31112442	4	SCREW TE M16X80 UNI 5737	
7	59900486	4	WASHER M12 D.24MM	
8	31241160	4	SELFLOCK NUT M16 6S	
9	59900487	4	SCREW	
10	59900488	4	WASHER M12 D21	
11	59900489	4	SCREW	
12	59900490	1	GLASS GASKET	
13	59900491	8	SCREW	
14	59900492	8	WASHER	
15	F0863728010	4	SCREW M12X25 UNI5933	
16	59900493	4	SCREW	
17	31411084	4	WASHER 8,4x17	
18	31241080	4	HEXAGON SELFLOCK NUT M8	
19	59900494	8	WASHER M14 D.28MM	
20	59900495	2	REAR GLASS	
21	59900496	1	LINING	
22	59900497	1	LINING	
23	59900498	1	LINING	
2a	59900482	1	STRIKER PLATE	
2b	59900483	1	STRIKER PLATE	
3a	59900484	1	FRONT SUPPORT	
3b	59900485	1	FRONT SUPPORT	

AIR CONDITIONING "LOCHMANN"



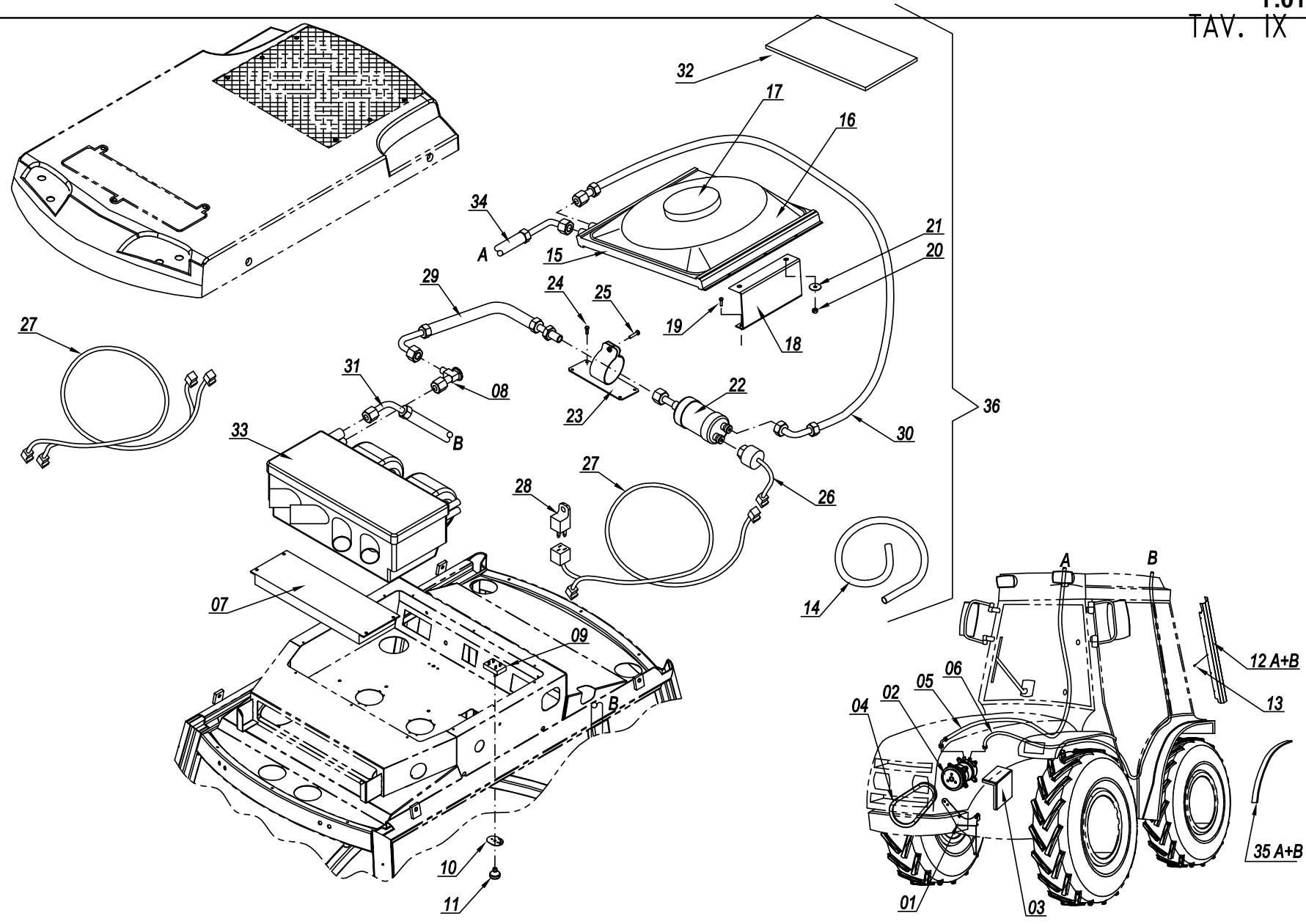
Pos.	Code	Q.ty	Description	Notes
1	59900499	1	PLATE	
2	59900500	1	GEAR COMPRESSOR	
3	59900501	1	GUARD	
4	59900502	1	BELT	
5	59900503	1	PIPE	
6	59900504	1	PIPE	
7	59900505	1	VAPORIZER	
8	59900506	1	VALVE	
9	59900507	1	THERMOSTAT	
10	59900508	1	PLATE	
11	59900447	1	KNOB	
13	59900036	16	RIBBED SCREW	
14	59900511	1	EXHAUST	
15	59900512	1	CONDENSER	
16	59900513	1	DUCT	
17	59900514	1	FAN	
18	59900515	2	BRACKET	
19	59900516	4	RIBBED SCREW 4,8X16	
20	31241060	4	HEXAGON SELFLOCK NUT M6	
21	59900411	4	WASHER M6X24	
22	59900517	1	FILTER	
23	59900518	1	RETAINER	
24	59900396	1	HEXAGON SCREW M6X15	
25	59900432	1	HEXAGON HEAD SCREW	
26	59900519	1	BULB	
27	59900520	1	ELECTRICAL SYSTEM	
28	59900521	1	RELAY	
29	59900522	1	PIPE	
30	59900523	1	PIPE	
31	59900524	1	PIPE	
32	59900525	1	GUARD	
33	59900526	1	UNIT	
34	59900527	1	PIPE	
36	59900530	1	KIT	

SERIAL

AIR CONDITIONING "LOCHMANN"

CODE REV

Y.01.09_0_45063



Pos.	Code	Q.ty	Description	Notes
12a	59900509	1	CHANNEL	
12b	59900510	1	CHANNEL	
35a	59900528	1	CHANNEL	
35b	59900529	1	CHANNEL	

SPARE PARTS INSTANCE INDEX





SPARE PARTS INSTANCE INDEX

Code	Parts Table	Pos.	Q.ty	Code	Parts Table	Pos.	Q.ty	Code	Parts Table	Pos.	Q.ty
28174882	A.03.01_0_45689	5	1	31111151	L.02.03_0_41043	8	1	31112096	A.05.01_0_45829	27	2
	A.03.02_0_45727	5	1		L.02.04_0_41097	8	1	31112146	B.10.01_0_38824	14	2
30000007	C.01.01_1_38975	23	4		M.02.01_0_41268	8	1		C.02.02_0_39075	10	2
	D.03.02_1_39804	21	1		M.02.01_0_41268	36	3		D.07.02_1_39700	11	4
30000197	L.02.01_0_40937	26	6		M.02.02_0_41339	8	1		D.15.02_0_40421	36	4
	L.02.03_0_41043	33	4		M.02.02_0_41339	36	3	31112147	D.15.02_0_40421	29	2
	L.02.04_0_41097	27	7	31111156	D.01.01_0_40115	2/2	1	31112148	A.02.02_0_42523	13	2
	M.02.01_0_41268	26	6	31111218	A.05.01_0_45829	14	2	31112149	B.04.03_0_39956	24	6
	M.02.02_0_41339	26	7	31111331	B.01.01_0_47067	2	4		B.08.02_0_38771	23	2
30000211	F.03.02_1_40650	34	2	31112051	A.02.02_0_42523	22	1		L.01.01_0_40903	9	2
30000506	E.03.02_0_42668	15	1	31112082	A.01.01_1_48842	13	2		M.01.01_0_41199	10	2
30000514	B.03.01_0_50545	24	1		A.01.02_1_45599	13	2		M.02.01_0_41268	29	1
30000614	B.08.02_0_38771	8	1		A.01.03_1_45644	13	2		M.02.02_0_41339	29	1
30000638	E.03.02_0_42668	8	1		A.03.01_0_45689	2	4	31112150	A.01.01_1_48842	3	3
30000795	F.03.02_1_40650	48	1		A.03.02_0_45727	2	4		A.02.02_0_42523	6	1
30040035	C.03.01_0_39252	14	1		B.01.01_0_47067	22	12		B.01.01_0_47067	5	2
30040095	B.05.02_0_50667	19	8		C.01.01_1_38975	48	8		B.02.01_1_47161	8	2
31111090	F.04.01_0_46735	26	1		E.01.01_0_42630	3	4		D.02.01_0_39284	3	6
31111091	A.03.01_0_45689	35	4		L.01.01_0_40903	14	2		D.13.01_0_40355	7	1
	A.03.02_0_45727	35	4		M.01.01_0_41199	15	2		F.01.02_0_51136	26	4
	B.02.01_1_47161	14	2	31112090	A.01.01_1_48842	23	2		F.03.02_1_40650	26	2
	M.01.01_0_41199	62	1		A.01.02_1_45599	23	2		F.04.01_0_46735	2	2
31111151	A.01.01_1_48842	7	4		A.01.03_1_45644	23	2		L.01.01_0_40903	25	2
	A.01.02_1_45599	7	4		C.01.01_1_38975	3	4		L.02.01_0_40937	22	4
	A.01.03_1_45644	7	4		F.02.01_0_51232	6	4		L.02.03_0_41043	17	3
	A.03.01_0_45689	27	2		F.03.02_1_40650	40	1		L.02.04_0_41097	23	4
	A.03.02_0_45727	27	2		M.02.01_0_41268	48	4		M.01.01_0_41199	35	2
	A.05.01_0_45829	29	1		M.02.02_0_41339	48	4		M.02.01_0_41268	23	4
	B.01.01_0_47067	18	1	31112092	F.03.02_1_40650	7	2		M.02.01_0_41268	34	2
	B.10.01_0_38824	40	4	31112093	B.02.01_1_47161	24	8		M.02.02_0_41339	23	4
	B.12.02_0_51039	10	5		M.01.01_0_41199	56	2		M.02.02_0_41339	34	2
	C.01.01_1_38975	35	2		Y.01.01_0_44535	22	4		T.01.01_0_41550	12	2
	F.01.02_0_51136	16	4		Y.01.06_0_44875	31	2		T.01.02_0_41578	15	2
	L.02.01_0_40937	8	1		Y.01.07_0_45001	23	3		T.01.03_0_41614	21	2

SPARE PARTS INSTANCE INDEX

Code	Parts Table	Pos.	Q.ty	Code	Parts Table	Pos.	Q.ty	Code	Parts Table	Pos.	Q.ty
31112151	A.03.01_0_45689	16	1	31112213	C.01.01_1_38975	8	1	31152081	Y.01.03_0_44709	36	4
	A.03.02_0_45727	16	1	31112217	M.01.01_0_41199	5	1	31152083	F.01.02_0_51136	2	4
	B.01.01_0_47067	8	1	31112219	A.01.01_1_48842	10	5		F.02.01_0_51232	2	4
	B.10.01_0_38824	17	2		A.01.02_1_45599	10	5	31152084	L.02.03_0_41043	21	2
	C.03.01_0_39252	3	6		A.01.03_1_45644	10	5	31152085	D.11.01_0_40184	2	2
	D.15.02_0_40421	24	1		B.04.03_0_39956	7	4	31152088	B.02.01_1_47161	11	2
	L.02.03_0_41043	18	2		B.04.04_0_39988	5	4	31152097	M.01.01_0_41199	47	2
31112152	D.07.02_1_39700	12	3		F.03.02_1_40650	3	3	31152103	A.03.01_0_45689	14	1
31112153	A.01.01_1_48842	17	1		L.01.01_0_40903	2	1		A.03.02_0_45727	14	1
	A.01.02_1_45599	17	1		M.01.01_0_41199	2	1		T.03.03_0_42459	4	2
	A.01.03_1_45644	17	1	31112264	B.03.01_0_50545	15	8	31200501	A.04.01_0_45765	3	1
31112161	D.11.01_0_40184	3	2		B.03.02_0_50571	15	8		A.04.02_0_45780	3	1
31112174	A.01.01_1_48842	15	1	31112267	C.01.01_1_38975	22	8		A.04.03_0_45796	3	1
	A.01.02_1_45599	15	1	31112328	B.01.01_0_47067	25	2		A.04.04_0_45812	3	1
	A.01.03_1_45644	15	1	31112442	Y.01.08_0_45176	6	4	31211050	A.02.02_0_42523	25	1
31112210	A.01.01_1_48842	31	1	31112801	B.05.01_0_50640	19	4		E.03.02_0_42668	7	3
	A.01.02_1_45599	31	1	31121801	Y.01.07_0_45001	24	4	31211060	A.01.01_1_48842	25	2
	A.01.03_1_45644	31	1	31122804	B.04.03_0_39956	9	4		A.01.02_1_45599	25	2
	E.02.01_0_46767	5	1		B.04.04_0_39988	7	4		A.01.03_1_45644	25	2
	F.01.02_0_51136	18	4	31122805	Y.01.02_0_44621	21	2		A.03.01_0_45689	36	2
	F.02.01_0_51232	9	2		Y.01.03_0_44709	23	2		A.03.02_0_45727	36	2
	F.03.02_1_40650	2	1		Y.01.04_0_45149	3	2		B.02.01_1_47161	16	2
31112211	B.04.03_0_39956	15	2	31132440	B.10.01_0_38824	23	4		B.04.03_0_39956	21	4
	B.04.04_0_39988	13	2	31132562	A.02.02_0_42523	2	2		F.02.01_0_51232	8	4
	C.01.01_1_38975	6	2	31132566	D.13.01_0_40355	6	1		Y.01.02_0_44621	22	1
	F.03.02_1_40650	6	2	31152057	L.02.01_0_40937	3	2		Y.01.03_0_44709	35	1
	L.01.01_0_40903	3	5		L.02.03_0_41043	3	2		Y.01.05_0_44795	10	2
	M.01.01_0_41199	3	4		L.02.04_0_41097	3	2		Y.01.07_0_45001	16	4
	T.01.01_0_41550	7	8		M.02.01_0_41268	3	2	31211080	A.01.01_1_48842	9	2
	T.01.02_0_41578	10	8		M.02.02_0_41339	3	2		A.01.02_1_45599	9	2
	T.01.03_0_41614	15	8	31152060	A.02.02_0_42523	17	1		A.01.03_1_45644	9	2
31112212	A.03.01_0_45689	11	2	31152066	B.10.01_0_38824	12	4		A.03.01_0_45689	18	1
	A.03.02_0_45727	11	2	31152068	A.02.02_0_42523	18	1		A.03.02_0_45727	18	1
	C.01.01_1_38975	7	7	31152081	Y.01.02_0_44621	8	4		A.04.01_0_45765	4	3

SPARE PARTS INSTANCE INDEX

Code	Parts Table	Pos.	Q.ty	Code	Parts Table	Pos.	Q.ty	Code	Parts Table	Pos.	Q.ty
31211080	A.04.02_0_45780	4	3	31241080	Y.01.04_0_45149	8	2	31411084	B.02.01_1_47161	4	6
	A.04.03_0_45796	4	3		Y.01.05_0_44795	21	5		B.08.02_0_38771	17	4
	A.04.04_0_45812	4	3		Y.01.08_0_45176	18	4		B.08.02_0_38771	24	2
	A.05.01_0_45829	10	6	31241081	Y.01.02_0_44621	15	2		B.10.01_0_38824	7	4
	B.02.01_1_47161	10	6		Y.01.03_0_44709	37	2		D.03.02_1_39804	27	1
	B.04.03_0_39956	14	4		Y.01.05_0_44795	17	1		F.03.02_1_40650	28	2
	B.04.04_0_39988	12	4	31241100	Y.01.02_0_44621	35	1		Y.01.02_0_44621	14	4
	B.10.01_0_38824	39	2		Y.01.03_0_44709	40	1		Y.01.03_0_44709	24	4
	D.12.01_1_40279	61	6	31241121	M.01.01_0_41199	50	2		Y.01.04_0_45149	7	2
	L.02.01_0_40937	20	6	31241160	Y.01.08_0_45176	8	4		Y.01.05_0_44795	9	8
	L.02.03_0_41043	19	1	31241161	C.01.01_1_38975	40	4		Y.01.08_0_45176	17	4
	L.02.04_0_41097	21	6	31312089	D.12.01_1_40279	60	4	31411090	B.01.01_0_47067	10	1
	M.02.01_0_41268	21	3	31313300	C.03.01_0_39252	7	10		B.04.03_0_39956	13	4
	M.02.02_0_41339	21	3	31313320	C.03.01_0_39252	8	6		B.04.04_0_39988	11	4
31211100	L.02.01_0_40937	14	4	31411053	A.02.02_0_42523	23	1		Y.01.07_0_45001	25	4
	L.02.03_0_41043	12	4	31411064	A.01.01_1_48842	14	2	31411104	M.01.01_0_41199	22	3
	L.02.04_0_41097	15	4		A.01.02_1_45599	14	2	31411105	D.03.02_1_39804	23	2
	M.02.01_0_41268	15	3		A.01.03_1_45644	14	2		D.15.02_0_40421	23	3
	M.02.02_0_41339	15	3		A.03.01_0_45689	4	4		Y.01.02_0_44621	18	1
	T.01.03_0_41614	10	2		A.03.02_0_45727	4	4		Y.01.03_0_44709	39	1
31211123	C.01.01_1_38975	30	2		E.01.01_0_42630	4	4	31411130	D.14.01_0_40378	9	2
31211200	T.01.03_0_41614	8.2	1		F.03.02_1_40650	42	1		D.15.02_0_40421	16	2
31221161	W.01.02_0_45287	1.5	5		Y.01.01_0_44535	38	6	31411150	B.01.01_0_47067	27	2
31231080	A.02.02_0_42523	20	3		Y.01.02_0_44621	40	1		D.15.02_0_40421	26	2
	B.01.01_0_47067	15	1		Y.01.03_0_44709	19	1	31411170	T.01.01_0_41550	16	2
31231120	D.14.01_0_40378	11	4		Y.01.05_0_44795	25	4		T.01.02_0_41578	19	2
31241060	Y.01.01_0_44535	39	6		Y.01.06_0_44875	58	4	31421083	A.01.01_1_48842	18	1
	Y.01.05_0_44795	26	2		Y.01.07_0_45001	19	17		A.01.02_1_45599	18	1
	Y.01.06_0_44875	47	2	31411066	A.03.01_0_45689	37	6		A.01.03_1_45644	18	1
	Y.01.07_0_45001	17	2		A.03.02_0_45727	37	6		D.02.01_0_39284	4	6
	Y.01.09_0_45063	20	4		B.02.01_1_47161	25	16	31421251	A.01.01_1_48842	20	1
31241080	B.01.01_0_47067	11	1		B.04.03_0_39956	31	4		A.01.02_1_45599	20	1
	Y.01.02_0_44621	26	4		B.04.04_0_39988	19	4		A.01.03_1_45644	20	1
	Y.01.03_0_44709	16	4	31411084	B.01.01_0_47067	6	3	31510053	B.08.02_0_38771	6	6



SPARE PARTS INSTANCE INDEX

Code	Parts Table	Pos.	Q.ty	Code	Parts Table	Pos.	Q.ty	Code	Parts Table	Pos.	Q.ty
34110029	T.01.01_0_41550	9.2	2	38116317	D.12.01_1_40279	54	1	51371035	D.01.01_0_40115	21	1
	T.01.02_0_41578	12.2	2	38118720	D.12.01_1_40279	55	1		D.09.01_0_39847	11	1
34110030	M.01.01_0_41199	59	1	39118528	W.01.02_0_45287	5	1	52071702	L.01.01_0_40903	13	1
34130010	T.01.01_0_41550	17	2	41U50000	A.01.01_1_48842	1	1		M.01.01_0_41199	14	1
	T.01.02_0_41578	20	2	41U60000	A.01.02_1_45599	1	1	52272112	D.07.02_1_39700	28	1
34211054	D.13.01_0_40355	4	1	41U70000	A.01.03_1_45644	1	1	52273364	D.07.02_1_39700	29	1
34211064	T.03.03_0_42459	17	1	50970418	D.15.02_0_40421	33	2	52274299	D.07.02_1_39700	26	1
34213018	B.10.01_0_38824	46	1	50973415	M.01.01_0_41199	40	2	52370072	D.10.01_0_39887	6	1
34213054	D.11.01_0_40184	8	1	51170020	C.03.01_0_39252	6	2	52370075	D.10.01_0_39887	5	1
34321066	D.15.02_0_40421	8	2	51172005	D.10.01_0_39887	3	1	52370083	C.01.01_1_38975	24	2
35111047	D.12.01_1_40279	4	1	51173371	M.01.01_0_41199	49	1	52370152	D.13.01_0_40355	2	1
35111052	D.05.01_1_42883	10	1	51173650	C.03.01_0_39252	2	1	52372292	D.12.01_1_40279	38	1
35111062	D.09.01_0_39847	2	2	51173803	C.03.01_0_39252	11	1	52373177	D.15.02_0_40421	13	2
35111080	D.02.01_0_39284	13	4	51173804	C.03.01_0_39252	10	1	52374189	D.07.02_1_39700	2	1
	D.06.01_1_42932	27	1	51174047	M.01.01_0_41199	1	1	52374386	D.07.02_1_39700	3	1
35121030	D.02.01_0_39284	6	2	51174315	L.01.01_0_40903	1	1	52374641	D.11.01_0_40184	1	1
35121035	D.06.01_1_42932	17	1	51174524V	B.10.01_0_38824	25	1	52375215	D.15.02_0_40421	17	1
35121040	D.04.01_1_42845	11	1	51176123	C.03.01_0_39252	1	1	52375896	D.07.02_1_39700	27	1
	D.12.01_1_40279	8	1	51176125	C.01.01_1_38975	2	1	52377913	C.01.01_1_38975	20	1
35211060	B.02.01_1_47161	19	1	51176126	C.01.01_1_38975	1	1	52377914	C.01.01_1_38975	19	1
35211070	M.01.01_0_41199	27	2	51176714	B.01.01_0_47067	1	1	52378628	D.07.02_1_39700	36	1
37111254	D.09.01_0_39847	3	1	51177257	W.01.01_0_44125	17	1	52378629	D.07.02_1_39700	30	1
37111255	D.05.01_1_42883	9	1		W.01.02_0_45287	15	1	52378636	D.07.02_1_39700	4	1
37111354	D.02.01_0_39284	14	1	51179545	D.07.02_1_39700	9	1	52470061	D.09.01_0_39847	7	1
37112501	D.04.01_1_42845	13	1	51270203	D.11.01_0_40184	15	1	52470062	D.09.01_0_39847	6	1
37221320	D.06.01_1_42932	26	2	51270771	D.07.02_1_39700	32	1	52470063	D.01.01_0_40115	17	1
37931413	D.12.01_1_40279	20	1	51274388	B.10.01_0_38824	26	1	52470064	D.01.01_0_40115	16	1
38104412	D.02.01_0_39284	23	1	51274498	B.10.01_0_38824	27	1	52470067	D.01.01_0_40115	20	2
38110992	D.03.02_1_39804	13	1	51275570	D.13.01_0_40355	13	1		D.09.01_0_39847	8	2
38111078	D.13.01_0_40355	17	2	51276772	C.01.01_1_38975	16	1	52470086	D.01.01_0_40115	27	2
38112200	D.13.01_0_40355	3	1	51276773	C.01.01_1_38975	15	1	52470087	D.10.01_0_39887	11	3
	F.01.02_0_51136	6	2	51277912	C.01.01_1_38975	18	2	52470105	D.09.01_0_39847	16	1
38112510	D.02.01_0_39284	8	1	51278573	D.11.01_0_40184	10	1	52470106	D.09.01_0_39847	15	1
38113142	F.01.02_0_51136	25	2	51278623	D.07.02_1_39700	31	1	52470117	D.06.01_1_42932	19	1



SPARE PARTS INSTANCE INDEX

Code	Parts Table	Pos.	Q.ty	Code	Parts Table	Pos.	Q.ty	Code	Parts Table	Pos.	Q.ty
52470118	D.06.01_1_42932	18	1	52478619	D.04.01_1_42845	18	1	56075036	T.01.03_0_41614	17	2
52470298	D.12.01_1_40279	7	1	52478620	D.04.01_1_42845	20	1	56075143	M.01.01_0_41199	58	1
52473655	D.02.01_0_39284	33	1	52573648	D.02.01_0_39284	19	1	56075145	M.01.01_0_41199	26	1
52473656	D.04.01_1_42845	24	1	53273025	D.02.01_0_39284	24	1	56075161	M.02.01_0_41268	33	1
52473658	D.02.01_0_39284	10	1	53273886	D.12.01_1_40279	33	1		M.02.02_0_41339	33	1
52473827	D.05.01_1_42883	8	1	53273891	D.12.01_1_40279	56	1	56075183	M.02.01_0_41268	46	1
52473829	D.05.01_1_42883	5	1	55072935	B.05.01_0_50640	1	4		M.02.02_0_41339	46	1
52473830	D.05.01_1_42883	6	1	55170047	D.14.01_0_40378	7	2	56075184	M.02.01_0_41268	47	1
52473831	D.05.01_1_42883	7	1	55170053	D.07.02_1_39700	6	3		M.02.02_0_41339	47	1
52473835	D.06.01_1_42932	9	1	55174162	B.10.01_0_38824	32	1	56075197	M.02.01_0_41268	42	1
52473836	D.06.01_1_42932	12	1	55174163	B.10.01_0_38824	31	2		M.02.02_0_41339	42	1
52473837	D.06.01_1_42932	13	1	55174632	A.03.01_0_45689	21	1	56075230	D.03.02_1_39804	33	1
52473838	D.04.01_1_42845	5	1		A.03.02_0_45727	21	1	56075251	M.02.01_0_41268	38	1
52473839	D.04.01_1_42845	9	1	55175174	B.04.03_0_39956	12	6		M.02.02_0_41339	38	1
52474251	D.06.01_1_42932	15	1		B.04.04_0_39988	10	6	56076055	D.13.01_0_40355	20	1
52475562	D.12.01_1_40279	32	1		B.05.01_0_50640	22	8	56076928	B.02.01_1_47161	1.3	1
52475565	D.12.01_1_40279	43	1		B.05.02_0_50667	17	8	56076929	B.02.01_1_47161	1.4	1
52475991	D.12.01_1_40279	24	1	55176744	A.01.01_1_48842	26	1	56076930	B.02.01_1_47161	1.5	1
52475992	D.12.01_1_40279	46	1		A.01.02_1_45599	26	1	56076933	B.02.01_1_47161	1.2	1
52475994	D.12.01_1_40279	44/1	1		A.01.03_1_45644	26	1	56077608	A.05.01_0_45829	6	2
52475996	D.12.01_1_40279	44/2	1	55177639	A.03.01_0_45689	23	1	56077760	M.02.01_0_41268	43	1
52476062	D.12.01_1_40279	17	1		A.03.02_0_45727	23	1		M.02.02_0_41339	43	1
52476065	D.12.01_1_40279	22/1	1	55271644	B.08.02_0_38771	5	1	56077773	T.01.01_0_41550	2	4
52476066	D.12.01_1_40279	22/2	1	55274441	B.08.02_0_38771	4	1		T.01.02_0_41578	2	4
52476068	D.12.01_1_40279	16	1	55276745	A.05.01_0_45829	1	1	56077910	C.01.01_1_38975	41	4
52476868	D.12.01_1_40279	3	1	56071768	A.02.02_0_42523	12	4	56077977	C.01.01_1_38975	50	2
52478565	D.12.01_1_40279	28	1	56073059	T.01.01_0_41550	11.1	1	56079442	B.02.01_1_47161	1.1	1
52478568	D.12.01_1_40279	19	1		T.01.02_0_41578	14.1	1	56170017	D.07.02_1_39700	16	1
52478609	D.06.01_1_42932	7	1		T.01.03_0_41614	20.2	1	56170029	D.03.02_1_39804	14	1
52478611	D.06.01_1_42932	3	1	56073413	M.01.01_0_41199	44	2	56170043	D.14.01_0_40378	8	2
52478612	D.05.01_1_42883	3	1	56073414	M.01.01_0_41199	41	2	56170074	D.10.01_0_39887	9	1
52478615	D.06.01_1_42932	22	1	56073416	M.01.01_0_41199	45	1	56170082	C.01.01_1_38975	26	1
52478617	D.06.01_1_42932	25	1	56074302	D.03.02_1_39804	25	1	56170213	D.01.01_0_40115	8	1
52478618	D.04.01_1_42845	17	1	56074313	D.12.01_1_40279	65	1	56170214	D.01.01_0_40115	6	1



SPARE PARTS INSTANCE INDEX

Code	Parts Table	Pos.	Q.ty	Code	Parts Table	Pos.	Q.ty	Code	Parts Table	Pos.	Q.ty
56170221	C.01.01_1_38975	26	1	56171936	D.15.02_0_40421	21	1	56174582	B.05.01_0_50640	21	2
56170222	C.01.01_1_38975	26	1	56171954	B.04.03_0_39956	16	2	56174635	A.04.01_0_45765	5	1
56170223	C.01.01_1_38975	26	1		B.04.04_0_39988	14	2		A.04.02_0_45780	5	1
56170226	C.01.01_1_38975	37	2		B.05.01_0_50640	23	8		A.04.03_0_45796	5	1
56170283	L.01.01_0_40903	27	2		B.05.02_0_50667	18	8		A.04.04_0_45812	5	1
	M.01.01_0_41199	37	2	56171996	B.04.03_0_39956	11	4		A.05.01_0_45829	5	1
56170285	L.01.01_0_40903	29	2		B.04.04_0_39988	9	4	56174636	A.04.01_0_45765	2	1
	M.01.01_0_41199	39	2	56172172	B.12.01_0_46793	7/2	1		A.04.02_0_45780	2	1
56170286	L.01.01_0_40903	28	2	56172538	C.01.01_1_38975	47	1		A.04.03_0_45796	2	1
	M.01.01_0_41199	38	2	56172547	F.02.01_0_51232	13	1		A.04.04_0_45812	2	1
56170350	F.01.02_0_51136	13	1	56172749	F.04.01_0_46735	4	1	56174656	B.02.01_1_47161	12	1
56170364	C.02.02_0_39075	9	2	56173353	C.01.01_1_38975	26	1	56174657	B.01.01_0_47067	4	1
56170367	D.15.02_0_40421	9	2	56173638	L.01.01_0_40903	8	1	56174658	B.01.01_0_47067	7	1
56170392	T.01.01_0_41550	3	2		M.01.01_0_41199	9	1	56174659	B.01.01_0_47067	9	1
	T.01.02_0_41578	3	2	56173684	D.03.02_1_39804	20	1	56174661	A.02.02_0_42523	16	1
56170447	D.13.01_0_40355	11	1	56174108	D.12.01_1_40279	5	1	56174665	F.04.01_0_46735	1	1
56170704	T.03.01_0_41710	6	1	56174202	L.02.01_0_40937	21	1	56174692	D.06.01_1_42932	24	1
	T.03.02_0_41719	4	1		L.02.03_0_41043	16	1	56174693	D.06.01_1_42932	24	1
56170705	T.03.01_0_41710	7	1		L.02.04_0_41097	22	1	56174694	D.06.01_1_42932	24	1
	T.03.02_0_41719	5	1	56174400	D.03.02_1_39804	38	1	56174695	D.06.01_1_42932	24	1
56170760	D.06.01_1_42932	24	1	56174401	D.03.02_1_39804	39	1	56174725	F.01.02_0_51136	15	2
56170779	L.02.03_0_41043	23	1	56174431	D.13.01_0_40355	10	1	56174730	B.10.01_0_38824	16	1
56170795	D.15.02_0_40421	11	1	56174461	B.10.01_0_38824	41	1	56174773	B.10.01_0_38824	11	1
56170796	D.15.02_0_40421	12	1	56174462	B.10.01_0_38824	36	1	56174835	B.02.01_1_47161	18	1
56170964	L.02.01_0_40937	15	4	56174463	B.10.01_0_38824	44	1	56174873	B.01.01_0_47067	24	1
	L.02.03_0_41043	13	4	56174464	B.10.01_0_38824	10	1	56174919	C.01.01_1_38975	45	1
	L.02.04_0_41097	16	4	56174480	F.03.02_1_40650	10	1	56174920	C.01.01_1_38975	46	1
	M.02.01_0_41268	16	3	56174481	F.03.02_1_40650	9	1	56174987	F.02.01_0_51232	4	1
	M.02.02_0_41339	16	3	56174485	F.03.02_1_40650	30	1	56174988	F.02.01_0_51232	5	1
56171172	C.01.01_1_38975	38	2	56174486	B.10.01_0_38824	13	1	56175227	M.02.01_0_41268	22	1
56171223	B.12.02_0_51039	13	1	56174492	B.10.01_0_38824	2	2		M.02.02_0_41339	22	1
56171572	D.12.01_1_40279	1	1	56174494	F.03.02_1_40650	45	1	56175294	F.02.01_0_51232	17	1
56171877	A.02.02_0_42523	3	1	56174499	B.10.01_0_38824	19	1	56175367	D.06.01_1_42932	24	1
56171883	A.02.02_0_42523	4	1	56174527	B.04.03_0_39956	22	1	56175388	L.02.03_0_41043	20	1

SPARE PARTS INSTANCE INDEX

Code	Parts Table	Pos.	Q.ty	Code	Parts Table	Pos.	Q.ty	Code	Parts Table	Pos.	Q.ty
56175848	T.01.03_0_41614	5	2	56177443	B.05.01_0_50640	5	1	56370081	C.01.01_1_38975	4	2
56176127	D.11.01_0_40184	7	1		B.05.02_0_50667	3	1		D.10.01_0_39887	15	1
56176691	A.03.01_0_45689	15	1	56177444	B.05.01_0_50640	6	1		L.02.04_0_41097	42	1
	A.03.02_0_45727	15	1		B.05.02_0_50667	4	1		M.02.02_0_41339	61	1
56176696	A.05.01_0_45829	8	2	56177643	B.01.01_0_47067	17	1	56370089	D.01.01_0_40115	15	1
56176716	A.05.01_0_45829	7	1	56177655	A.02.02_0_42523	21	1		D.06.01_1_42932	28	1
56176814	A.05.01_0_45829	9	3	56177656	A.02.02_0_42523	19	3		D.09.01_0_39847	14	1
56176905	B.03.01_0_50545	12	1		B.01.01_0_47067	14	1	56370127	D.01.01_0_40115	15	1
	B.03.02_0_50571	12	1	56177979	A.01.01_1_48842	8	1		D.06.01_1_42932	28	1
56176906	B.03.01_0_50545	11	1		A.01.02_1_45599	8	1		D.09.01_0_39847	14	1
	B.03.02_0_50571	11	1		A.01.03_1_45644	8	1	56370128	D.01.01_0_40115	15	1
56176907	B.05.01_0_50640	13	1	56178649	A.01.02_1_45599	35	1		D.06.01_1_42932	28	1
	B.05.02_0_50667	11	1		A.01.03_1_45644	35	1		D.09.01_0_39847	14	1
56176908	B.05.01_0_50640	12	1	56178695	F.04.01_0_46735	29	1	56370165	D.07.02_1_39700	23	1
	B.05.02_0_50667	10	1	56178805	A.03.01_0_45689	7	1	56370172	D.07.02_1_39700	19	3
56177045	B.03.01_0_50545	25	8		A.03.02_0_45727	7	1	56370177	D.07.02_1_39700	22	1
	B.03.02_0_50571	16	8	56178806	A.03.01_0_45689	12	2	56370178	D.12.01_1_40279	6	1
	B.05.01_0_50640	26	8		A.03.02_0_45727	12	2		D.13.01_0_40355	14	1
	B.05.02_0_50667	21	8	56179443	B.02.01_1_47161	22	1	56370186	D.07.02_1_39700	14	5
56177068	C.01.01_1_38975	42	1	56179444	B.02.01_1_47161	23	1	56370187	D.11.01_0_40184	5	1
56177183	A.01.01_1_48842	34	1	56179445	B.03.01_0_50545	10	1	56370209	D.01.01_0_40115	11	1
	A.01.02_1_45599	34	1		B.03.02_0_50571	10	1	56370210	D.01.01_0_40115	11	1
	A.01.03_1_45644	34	1	56179447	B.02.01_1_47161	21	2	56370211	D.01.01_0_40115	11	1
56177252	B.05.01_0_50640	2	2	56179549	B.02.01_1_47161	7	1	56370212	D.01.01_0_40115	11	1
56177256	B.03.01_0_50545	3	2	56274487	B.10.01_0_38824	34	2	56370267	D.02.01_0_39284	26	1
	B.03.02_0_50571	3	2	56275953	T.01.03_0_41614	8.1	1	56370282	L.01.01_0_40903	22	4
56177264	B.05.01_0_50640	15	1	56276371	C.02.02_0_39075	1.2	1		M.01.01_0_41199	32	4
	B.05.02_0_50667	13	1	56276372	C.02.02_0_39075	1.1	1	56370287	L.01.01_0_40903	24	2
56177265	B.05.01_0_50640	16	1	56278614	D.06.01_1_42932	6	1		M.01.01_0_41199	34	2
	B.05.02_0_50667	14	1	56370018	D.07.02_1_39700	10	6	56370288	L.01.01_0_40903	17	2
56177326	B.03.01_0_50545	8	2	56370037	D.02.01_0_39284	31	1		M.01.01_0_41199	18	1
	B.03.02_0_50571	8	2	56370038	D.14.01_0_40378	4	2	56370486	C.01.01_1_38975	32	1
56177416	W.01.02_0_45287	1.1	1	56370076	D.10.01_0_39887	10	6	56370539	W.01.01_0_44125	16	4
56177417	W.01.02_0_45287	1.2	1	56370079	D.10.01_0_39887	7	1		W.01.02_0_45287	14	4



SPARE PARTS INSTANCE INDEX

Code	Parts Table	Pos.	Q.ty	Code	Parts Table	Pos.	Q.ty	Code	Parts Table	Pos.	Q.ty
56370582	D.11.01_0_40184	14	1	56378566	D.12.01_1_40279	26	2	56570016	M.01.01_0_41199	6	2
56370583	D.11.01_0_40184	13	1	56378616	D.06.01_1_42932	23	1	56570125	D.07.02_1_39700	39	2
56370696	T.03.01_0_41710	4	4	56378622	D.07.02_1_39700	24	1	56570284	L.01.01_0_40903	15	1
56370830	D.06.01_1_42932	28	1	56378630	D.07.02_1_39700	25	1		M.01.01_0_41199	16	1
	D.09.01_0_39847	14	1	56379482	C.01.01_1_38975	29	2	56570506	M.01.01_0_41199	20	1
56371037	D.01.01_0_40115	19	1	56470002	D.02.01_0_39284	17	1	56573662	D.02.01_0_39284	5	1
	D.09.01_0_39847	9	1	56470110	D.04.01_1_42845	3	1	56575035	T.01.03_0_41614	1	2
56371065	D.07.02_1_39700	21	1	56470111	D.04.01_1_42845	14	1	56577771	T.01.01_0_41550	1	2
56371101	T.01.02_0_41578	4.3	1	56470137	D.06.01_1_42932	11	1		T.01.02_0_41578	1	2
	T.01.02_0_41578	5.3	1	56470138	D.06.01_1_42932	10	3	56578610	D.06.01_1_42932	4	1
	T.01.02_0_41578	13.3	1	56470139	D.04.01_1_42845	10	1	57174915	A.05.01_0_45829	1.3	1
56371162	D.02.01_0_39284	16	1	56470215	D.01.01_0_40115	4	1	57275032	B.04.03_0_39956	17	1
56371721	D.15.02_0_40421	18	1	56470216	D.01.01_0_40115	26	2	57275033	B.04.03_0_39956	18	1
56372282	D.12.01_1_40279	41	1	56470231	D.14.01_0_40378	5	2	57371049	D.02.01_0_39284	7	1
56372536	D.01.01_0_40115	3	1	56470299	D.13.01_0_40355	1	1	57371900	A.05.01_0_45829	2	1
56373194	D.03.02_1_39804	30	2	56470365	D.15.02_0_40421	22	3	57374490	B.10.01_0_38824	4	2
56373426	M.01.01_0_41199	42	1	56470797	D.15.02_0_40421	14	2	57374491	B.10.01_0_38824	5	1
56373427	M.01.01_0_41199	42	1	56470987	D.12.01_1_40279	30	1	57374501	B.10.01_0_38824	29	1
56373428	M.01.01_0_41199	42	1	56471036	D.01.01_0_40115	18	1	57374533	B.04.03_0_39956	27	1
56373436	M.01.01_0_41199	53	1		D.09.01_0_39847	10	1		B.04.04_0_39988	15	1
56373800	C.03.01_0_39252	12	2	56473818	D.04.01_1_42845	6	1	57374536	B.04.03_0_39956	28	1
56373840	D.06.01_1_42932	1	1	56473890	D.12.01_1_40279	52	1		B.04.04_0_39988	16	1
56374430	D.13.01_0_40355	5	1	56474713	D.12.01_1_40279	52	1	57374545	B.10.01_0_38824	24	2
56374460	B.10.01_0_38824	45	1	56474714	D.12.01_1_40279	52	1	57374553	B.08.02_0_38771	21	1
56374574	M.01.01_0_41199	51	1	56475516	D.12.01_1_40279	50	1	57374590	B.04.03_0_39956	4	1
56375008	T.03.02_0_41719	2	4	56475517	D.12.01_1_40279	52	1	57374591	B.04.03_0_39956	3	1
56375146	M.01.01_0_41199	25	1	56475518	D.12.01_1_40279	52	1	57375192	M.02.01_0_41268	39	1
56375147	M.01.01_0_41199	21	1	56475568	D.12.01_1_40279	23	1		M.02.02_0_41339	39	1
56375436	B.10.01_0_38824	35	1	56475844	D.12.01_1_40279	53	1	57376621	B.03.01_0_50545	6	1
56375571	D.13.01_0_40355	15	1	56477227	C.02.02_0_39075	6	1		B.03.02_0_50571	6	1
56375954	T.01.03_0_41614	6	4	56478567	D.12.01_1_40279	25	1	57376622	B.03.01_0_50545	7	1
56376256	D.11.01_0_40184	9	1	56570016	C.02.02_0_39075	1.3	2		B.03.02_0_50571	7	1
56377097	C.01.01_1_38975	21	4		D.07.02_1_39700	17	1	57376623	B.05.01_0_50640	9	1
56377915	C.01.01_1_38975	39	2		L.01.01_0_40903	5	2		B.05.02_0_50667	7	1

SPARE PARTS INSTANCE INDEX

Code	Parts Table	Pos.	Q.ty	Code	Parts Table	Pos.	Q.ty	Code	Parts Table	Pos.	Q.ty
57376624	B.05.01_0_50640	10	1	58070513	L.02.04_0_41097	34	1	58074221	B.07.01_0_42552	12	1
	B.05.02_0_50667	8	1		M.02.01_0_41268	54	1	58074222	B.07.01_0_42552	14	1
57376670	B.02.01_1_47161	17/1	1		M.02.02_0_41339	54	1	58074488	B.10.01_0_38824	37	1
57376671	B.05.01_0_50640	7	1	58070519	L.02.03_0_41043	40	1	58074558	D.03.02_1_39804	9	1
	B.05.02_0_50667	5	1	58070690	A.05.01_0_45829	19	1	58074733	F.03.02_1_40650	33	2
57376672	B.05.01_0_50640	8	1	58070741	D.07.02_1_39700	37	5	58074734	F.03.02_1_40650	32	2
	B.05.02_0_50667	6	1		D.13.01_0_40355	18	2	58074736	F.04.01_0_46735	27	1
57376677	B.03.01_0_50545	4	1	58070790	D.03.02_1_39804	17	3	58074740	F.03.02_1_40650	17	1
	B.03.02_0_50571	4	1		D.15.02_0_40421	6	4	58074777	B.07.01_0_42552	10	1
57376678	B.03.01_0_50545	5	1	58071313	E.02.01_0_46767	3	1	58074786	B.07.01_0_42552	5	1
	B.03.02_0_50571	5	1	58071322	T.01.01_0_41550	4	2	58074787	B.07.01_0_42552	6	1
57376726	A.01.01_1_48842	2	1	58071755	T.01.01_0_41550	10.1	2	58074791	B.07.01_0_42552	4	2
57376899	B.02.01_1_47161	17/2	1		T.01.02_0_41578	13.1	2	58074794	B.07.01_0_42552	1	1
57377317	A.04.02_0_45780	8	1		T.01.03_0_41614	19.1	2	58074795	B.07.01_0_42552	2	1
	A.04.04_0_45812	8	1	58071864	T.01.02_0_41578	4.1	1	58074831	B.01.01_0_47067	16	1
57379438	B.02.01_1_47161	27	1		T.01.02_0_41578	5.1	1	58074836	F.03.02_1_40650	11	1
58025869	M.01.01_0_41199	42	1	58072074	A.02.02_0_42523	9	1	58074839	B.07.01_0_42552	15	1
58048002	A.02.02_0_42523	26	3	58072075	A.02.02_0_42523	10	1	58074841	B.07.01_0_42552	8	1
	B.01.01_0_47067	12	1	58072081	E.02.01_0_46767	4	1	58074846	B.07.01_0_42552	16	1
58070071	D.10.01_0_39887	4	1	58072389	D.12.01_1_40279	39	1	58074880	B.07.01_0_42552	11	1
58070164	D.07.02_1_39700	18	3	58072398	D.12.01_1_40279	47	4	58074891	F.03.02_1_40650	16	1
58070168	D.07.02_1_39700	20	3	58072399	D.12.01_1_40279	42	1	58074895	A.05.01_0_45829	21	1
58070169	D.07.02_1_39700	8	3	58072509	B.07.01_0_42552	32	1	58074904	E.01.01_0_42630	1	1
58070198	D.11.01_0_40184	12	1	58072510	B.07.01_0_42552	35	1	58074958	M.02.01_0_41268	55	5
58070205	D.11.01_0_40184	17	1	58072511	B.07.01_0_42552	34	1		M.02.02_0_41339	55	6
58070262	D.02.01_0_39284	25	1	58072517	B.07.01_0_42552	33	1	58075021	B.07.01_0_42552	23	1
58070268	D.02.01_0_39284	27	1	58072518	B.07.01_0_42552	25/1	1	58075022	B.07.01_0_42552	17	1
58070366	D.14.01_0_40378	10	2	58072574	B.07.01_0_42552	25/2	1	58075024	B.07.01_0_42552	18	1
58070390	B.10.01_0_38824	43	1	58072575	B.07.01_0_42552	26	1	58075074	L.02.03_0_41043	35	1
58070480	T.01.01_0_41550	9.1	2	58072737	B.07.01_0_42552	30	1	58075080	L.02.01_0_40937	34	3
	T.01.02_0_41578	12.1	2	58073411	M.01.01_0_41199	43	2		L.02.03_0_41043	41	2
58070482	T.01.01_0_41550	10.3	1	58073889	D.12.01_1_40279	51	1		L.02.04_0_41097	35	4
	T.01.03_0_41614	19.3	2	58074092	D.12.01_1_40279	40	1	58075082	L.02.01_0_40937	41	1
58070513	L.02.01_0_40937	33	1	58074220	B.07.01_0_42552	13	1		L.02.03_0_41043	48	1



SPARE PARTS INSTANCE INDEX

Code	Parts Table	Pos.	Q.ty	Code	Parts Table	Pos.	Q.ty	Code	Parts Table	Pos.	Q.ty
58075082	M.02.01_0_41268	61	1	58076354	T.01.01_0_41550	9	2	58079118	C.02.02_0_39075	1.4	1
58075087	L.02.01_0_40937	35	2	58076356	T.01.02_0_41578	12	2	58079392	E.03.02_0_42668	3	1
	L.02.03_0_41043	42	2	58076750	A.04.03_0_45796	8	1	58079393	E.03.02_0_42668	4	1
	L.02.04_0_41097	36	2		A.04.04_0_45812	9	1	58079394	E.01.01_0_42630	6	1
58075135	L.02.01_0_40937	29	1	58076751	A.04.01_0_45765	8	1	58079395	E.01.01_0_42630	5	1
	L.02.04_0_41097	30	1		A.04.02_0_45780	9	1	58079433	F.03.02_1_40650	15	1
58075152	B.07.01_0_42552	21	1	58076752	A.05.01_0_45829	11	3	58079434	F.03.02_1_40650	50	1
58075159	M.02.01_0_41268	27	1	58076753	A.04.01_0_45765	6	1	58079435	F.03.02_1_40650	49	1
	M.02.02_0_41339	27	1		A.04.03_0_45796	6	1	58079466	B.07.01_0_42552	7	1
58075160	M.02.01_0_41268	50	1	58076984V	B.02.01_1_47161	28	1	58079755	E.02.01_0_46767	7	1
	M.02.02_0_41339	50	1	58076987V	B.02.01_1_47161	29	1	58090333	Y.01.02_0_44621	37	2
58075247	L.02.01_0_40937	6	1	58077061	E.03.02_0_42668	10	1		Y.01.03_0_44709	38	2
	L.02.03_0_41043	6	1	58077062	E.03.02_0_42668	11	1		Y.01.05_0_44795	7	4
	L.02.04_0_41097	6	1	58077132	A.03.01_0_45689	32	1	58092972	B.02.01_1_47161	2	1
	M.02.01_0_41268	6	1		A.03.02_0_45727	32	1	58170021	C.03.01_0_39252	4	1
	M.02.02_0_41339	6	1	58077198	T.01.02_0_41578	13	2	58170026	D.15.02_0_40421	2	4
58075248	F.03.02_1_40650	37	1	58077202	T.01.01_0_41550	18	2	58170034	D.02.01_0_39284	28	6
58075250	B.07.01_0_42552	22	1	58077205	T.01.01_0_41550	10	2	58170039	D.01.01_0_40115	23	4
58075521	B.07.01_0_42552	19	1	58077226	C.02.02_0_39075	5	1	58170045	D.14.01_0_40378	1	2
58075522	B.07.01_0_42552	20	1	58077305	E.03.02_0_42668	16	1	58170054	D.07.02_1_39700	7	3
58075603	L.01.01_0_40903	7	1	58077325	T.01.03_0_41614	19	2	58170069	C.01.01_1_38975	33	1
	M.01.01_0_41199	8	1	58077413	F.03.02_1_40650	29	1	58170070	D.10.01_0_39887	12	3
58075873	A.03.01_0_45689	30	1	58077579	B.07.01_0_42552	3/3	2	58170077	C.01.01_1_38975	27	4
	A.03.02_0_45727	30	1	58077580	B.07.01_0_42552	3/2	2	58170107	D.01.01_0_40115	25	2
58075983	T.01.01_0_41550	11	1	58077581	B.07.01_0_42552	3/1	2	58170130	D.04.01_1_42845	23	1
58075987	T.01.02_0_41578	14	1	58077601	B.08.02_0_38771	7/1	1		D.12.01_1_40279	10	1
	T.01.03_0_41614	20	1		E.03.02_0_42668	1/1	1	58170181	W.01.01_0_44125	1.1	1
58076077	B.07.01_0_42552	24	1	58077602	B.08.02_0_38771	7/2	1	58170195	D.11.01_0_40184	6	2
58076081	T.01.02_0_41578	5.2	1		E.03.02_0_42668	1/2	1	58170238	A.05.01_0_45829	3	1
58076082	T.01.02_0_41578	4.2	1	58077619	B.07.01_0_42552	9	1	58170245	L.01.01_0_40903	21	2
58076083	T.01.02_0_41578	5	1	58077654	B.07.01_0_42552	27	1		M.01.01_0_41199	31	2
58076084	T.01.02_0_41578	4	1	58078631	A.02.02_0_42523	8	1	58170251	L.02.03_0_41043	24	1
58076333	F.02.01_0_51232	15	1	58078677	A.03.01_0_45689	29	1	58170279	D.04.01_1_42845	8	1
58076334	F.02.01_0_51232	16	1		A.03.02_0_45727	29	1	58170291	L.01.01_0_40903	16	2

SPARE PARTS INSTANCE INDEX

Code	Parts Table	Pos.	Q.ty	Code	Parts Table	Pos.	Q.ty	Code	Parts Table	Pos.	Q.ty
58170291	M.01.01_0_41199	17	2	58171028	A.04.02_0_45780	1.3	1	58172013	M.02.01_0_41268	13/2	2
58170306	D.02.01_0_39284	18	2		A.04.03_0_45796	1.3	1		M.02.02_0_41339	13/2	2
58170344	B.08.02_0_38771	19	1		A.04.04_0_45812	1.3	1		M.02.02_0_41339	14/2	1
58170345	B.08.02_0_38771	20	1	58171069	A.04.02_0_45780	6	1	58172014	I.01.01_0_40883	5	1
58170376	B.08.02_0_38771	15	2		A.04.04_0_45812	6	1		I.01.01_0_40883	11.2	1
58170436	B.02.01_1_47161	3	1	58171139	D.06.01_1_42932	8	2		L.02.01_0_40937	13/3	2
58170443	D.02.01_0_39284	21	1	58171199	A.01.01_1_48842	1.1	1		L.02.04_0_41097	13/3	2
58170449	T.01.01_0_41550	14	1		A.01.02_1_45599	1.1	1		M.02.01_0_41268	13/3	2
	T.01.02_0_41578	17	1		A.01.03_1_45644	1.1	1		M.02.02_0_41339	13/3	2
	T.01.03_0_41614	23	1	58171200	A.01.01_1_48842	1.2	1		M.02.02_0_41339	14/3	1
58170453	B.08.02_0_38771	7.1	1		A.01.02_1_45599	1.2	1	58172015	L.02.01_0_40937	10	1
	E.03.02_0_42668	1.1	1		A.01.03_1_45644	1.2	1		L.02.03_0_41043	10	1
58170512	L.02.01_0_40937	30	1	58171536	L.01.01_0_40903	21.2	1		L.02.04_0_41097	10	1
	L.02.04_0_41097	31	1		M.01.01_0_41199	31.2	1	58172016	I.01.01_0_40883	12	1
	M.02.01_0_41268	51	1	58171537	L.01.01_0_40903	21.1	1	58172017	I.01.01_0_40883	13	1
	M.02.02_0_41339	51	1		M.01.01_0_41199	31.1	1		M.02.01_0_41268	20	3
58170571	E.03.02_0_42668	4.2	1	58171739	F.03.02_1_40650	36.1	1		M.02.02_0_41339	20	3
58170572	E.03.02_0_42668	4.1	1	58171901	A.05.01_0_45829	22	1	58172018	I.01.01_0_40883	14	1
58170597	L.02.03_0_41043	31	1		E.03.02_0_42668	12	4		L.02.01_0_40937	19	3
58170693	F.04.01_0_46735	20/2	1	58171925	I.01.01_0_40883	10	1		L.02.04_0_41097	20	3
	L.02.03_0_41043	32	2	58172011	I.01.01_0_40883	1	1	58172105	D.02.01_0_39284	30	5
58170703	D.14.01_0_40378	2	6		L.02.01_0_40937	12	2	58172106	D.02.01_0_39284	29	5
58170968	B.03.01_0_50545	23	1		L.02.04_0_41097	12	1	58172240	I.01.01_0_40883	6	1
58171000	T.01.02_0_41578	6	2		M.02.01_0_41268	14	1		I.01.01_0_40883	11.3	1
	T.01.03_0_41614	11	2	58172012	I.01.01_0_40883	3	1	58172267	B.08.02_0_38771	7.2	1
58171019	D.14.01_0_40378	3	2		L.02.01_0_40937	13/1	2		E.03.02_0_42668	1.2	1
58171021	T.01.01_0_41550	4.2	1		L.02.04_0_41097	13/1	2	58172304	I.01.01_0_40883	7	1
	T.01.02_0_41578	7	2		L.02.04_0_41097	14	1		L.02.01_0_40937	11	1
	T.01.03_0_41614	12/1	2		M.02.01_0_41268	13/1	2		L.02.04_0_41097	11	1
58171027	A.04.01_0_45765	1.4	1		M.02.02_0_41339	13/1	2		M.02.01_0_41268	12	1
	A.04.02_0_45780	1.4	1		M.02.02_0_41339	14/1	1		M.02.02_0_41339	12	1
	A.04.03_0_45796	1.4	1	58172013	I.01.01_0_40883	4	1	58172307	L.02.03_0_41043	38	2
	A.04.04_0_45812	1.4	1		L.02.01_0_40937	13/2	2	58172400	D.02.01_0_39284	22	1
58171028	A.04.01_0_45765	1.3	1		L.02.04_0_41097	13/2	2		D.12.01_1_40279	34	1



SPARE PARTS INSTANCE INDEX

Code	Parts Table	Pos.	Q.ty	Code	Parts Table	Pos.	Q.ty	Code	Parts Table	Pos.	Q.ty
58172402	D.12.01_1_40279	35	1	58174608	A.03.01_0_45689	8	2	58175769	B.08.02_0_38771	12	1
58172447	D.12.01_1_40279	36	8		A.03.02_0_45727	8	2	58175770	B.08.02_0_38771	13	1
58172448	D.12.01_1_40279	37	8	58174644	B.10.01_0_38824	38	2	58175773	A.01.01_1_48842	21	1
58172463	F.04.01_0_46735	7	2	58174710	F.03.02_1_40650	36	2		A.01.02_1_45599	21	1
58172489	I.01.01_0_40883	8	1	58174732	F.04.01_0_46735	25	1		A.01.03_1_45644	21	1
	L.02.01_0_40937	17	1	58174928	B.08.02_0_38771	14	1	58175965	W.01.01_0_44125	1.2	1
	L.02.04_0_41097	18	1	58174974	I.01.01_0_40883	11	1	58175966	W.01.01_0_44125	10.2	1
58172707	I.01.01_0_40883	2	1		L.02.03_0_41043	11	1	58175967	W.01.01_0_44125	15.2	1
58173030	D.03.02_1_39804	5	1	58175014	F.01.02_0_51136	14	2	58176323	W.01.01_0_44125	6.1	1
58173072	T.01.02_0_41578	14.2	1	58175083	L.02.01_0_40937	43	1		W.01.02_0_45287	6.1	1
	T.01.03_0_41614	20.1	1		L.02.03_0_41043	50	1	58176324	W.01.01_0_44125	6.2	1
58173116	B.08.02_0_38771	19.1	2		M.02.01_0_41268	63	1		W.01.02_0_45287	6.2	1
	B.08.02_0_38771	20.1	2	58175121	A.01.01_1_48842	33	1	58176336	F.01.02_0_51136	21	2
58173119	B.08.02_0_38771	19.2	2		A.01.02_1_45599	33	1	58176337	F.01.02_0_51136	11	1
	B.08.02_0_38771	20.2	2		A.01.03_1_45644	33	1	58176396	E.03.02_0_42668	13	2
58173120	B.08.02_0_38771	19.3	1	58175122	A.04.01_0_45765	1.5	1	58176406	E.01.01_0_42630	7	2
58173121	B.08.02_0_38771	20.3	1		A.04.02_0_45780	1.5	1		E.03.02_0_42668	14	2
58173195	D.03.02_1_39804	16.1	2		A.04.03_0_45796	1.5	1	58176618	A.01.01_1_48842	30	1
	D.03.02_1_39804	28.1	2		A.04.04_0_45812	1.5	1		A.01.02_1_45599	30	1
	D.03.02_1_39804	34.1	4	58175187	M.02.01_0_41268	45	2		A.01.03_1_45644	30	1
58173361	I.01.01_0_40883	9	1		M.02.02_0_41339	45	2	58176755	A.04.01_0_45765	1	1
	M.02.01_0_41268	18	1	58175188	M.02.01_0_41268	44/2	1		A.04.03_0_45796	1	1
	M.02.02_0_41339	18	1		M.02.02_0_41339	44/2	1	58176898	A.04.02_0_45780	1	1
58173399	F.04.01_0_46735	10	1	58175191	I.01.01_0_40883	15	1		A.04.04_0_45812	1	1
58173437	B.12.02_0_51039	4	1		M.02.01_0_41268	32	1	58177182	F.02.01_0_51232	3	1
58173505	F.01.02_0_51136	10	1		M.02.02_0_41339	32	1	58177274	B.01.01_0_47067	3	1
58173772	B.07.01_0_42552	28	1	58175209	C.01.01_1_38975	44	1	58177330	B.05.01_0_50640	25	2
58173773	B.07.01_0_42552	29	1	58175211	M.02.01_0_41268	44/1	1		B.05.02_0_50667	20	2
58174192	D.07.02_1_39700	1	3		M.02.02_0_41339	44/1	1	58177400	A.01.01_1_48842	27	1
58174417	D.03.02_1_39804	37	1	58175393	W.01.01_0_44125	15.1	1		A.01.02_1_45599	27	1
58174547	F.03.02_1_40650	22	1	58175630	W.01.01_0_44125	10.1	1		A.01.03_1_45644	27	1
58174555	B.10.01_0_38824	9	1	58175676	F.04.01_0_46735	17	1	58177653	D.02.01_0_39284	2	1
58174581	L.01.01_0_40903	11	1	58175677	F.04.01_0_46735	15	1	58177723	B.12.01_0_46793	1	1
	M.01.01_0_41199	12	1	58175700	E.03.02_0_42668	2	1	58177732	T.03.03_0_42459	2.1	1

SPARE PARTS INSTANCE INDEX

Code	Parts Table	Pos.	Q.ty	Code	Parts Table	Pos.	Q.ty	Code	Parts Table	Pos.	Q.ty
58177736	T.03.03_0_42459	5	1	58192377	B.12.01_0_46793	3	1	59073674	B.04.03_0_39956	6	1
58177737	T.03.03_0_42459	6	2		B.12.02_0_51039	14	1		B.04.04_0_39988	4	1
58177738	T.03.03_0_42459	7	2	59070012	C.01.01_1_38975	14	1	59073681	A.02.02_0_42523	11/2	1
58177739	T.03.03_0_42459	8	6	59070051	D.15.02_0_40421	35	1	59073685	D.03.02_1_39804	22	1
58177740	T.03.03_0_42459	9	2	59070065	D.01.01_0_40115	22	1	59073725	D.03.02_1_39804	16	1
58177741	T.03.03_0_42459	11	1		D.09.01_0_39847	12	1	59074081	D.03.02_1_39804	34	1
58177742	T.03.03_0_42459	12	2	59070094	D.10.01_0_39887	13	1	59074206	D.03.02_1_39804	28	1
58177743	T.03.03_0_42459	14	1	59070225	C.01.01_1_38975	31	1	59074213	A.02.02_0_42523	15/2	1
58177744	T.03.03_0_42459	15	1	59070289	L.01.01_0_40903	18	1	59074332	F.03.02_1_40650	5	1
58177745	T.03.03_0_42459	18	1		M.01.01_0_41199	28	1	59074346	A.02.02_0_42523	11/1	1
58177746	T.03.03_0_42459	19	1	59070290	L.01.01_0_40903	19	1	59074347	A.02.02_0_42523	15/1	1
58177754	D.03.02_1_39804	4	1		M.01.01_0_41199	29	1	59074351	B.04.03_0_39956	5	1
58177761	M.02.01_0_41268	41	1	59070323	D.15.02_0_40421	5	1		B.04.04_0_39988	3	1
	M.02.02_0_41339	41	1	59070325	D.15.02_0_40421	1	1	59074385	B.05.01_0_50640	20	2
58177867	B.08.02_0_38771	11	1	59070333	D.15.02_0_40421	7	1		B.05.02_0_50667	16	2
58177978	T.01.03_0_41614	12/2	2	59070398	D.15.02_0_40421	3	2	59074403	B.10.01_0_38824	22	1
58178571	W.01.02_0_45287	11/1	1	59070448	T.01.01_0_41550	15	1	59074459	D.15.02_0_40421	28	1
58178572	W.01.02_0_45287	11/2	1		T.01.02_0_41578	18	1	59074468	B.10.01_0_38824	1	1
58178585	A.03.02_0_45727	1	1		T.01.03_0_41614	24	1	59074477V	B.10.01_0_38824	21	1
58178586	A.03.01_0_45689	1	1	59070591	B.03.01_0_50545	22	1	59074482	F.03.02_1_40650	25	1
58178638	A.03.01_0_45689	34	1	59070592	B.05.01_0_50640	17	1	59074525V	B.10.01_0_38824	33	1
	A.03.02_0_45727	34	1		B.05.02_0_50667	15	1	59074531V	B.10.01_0_38824	18	1
58178646	A.01.02_1_45599	2	1	59070702	T.03.01_0_41710	1	1	59074546	F.03.02_1_40650	23	1
	A.01.03_1_45644	2	1	59071171	C.01.01_1_38975	34	2	59074561	D.15.02_0_40421	34	1
58178811	D.01.01_0_40115	1/2	1	59071241	B.12.01_0_46793	13	1	59074596	B.04.03_0_39956	2	1
58178873	D.01.01_0_40115	1/1	1	59071966	B.05.01_0_50640	24	1		B.04.04_0_39988	2	1
58178954	F.03.02_1_40650	1	1	59072057	L.02.01_0_40937	18	2	59074597	B.04.03_0_39956	1	1
58178960	D.15.02_0_40421	20	1		L.02.03_0_41043	15	2		B.04.04_0_39988	1	1
58179010	E.01.01_0_42630	2	2		L.02.04_0_41097	19	2	59074623	D.03.02_1_39804	12	1
58179413	E.01.01_0_42630	8	2		M.02.01_0_41268	19	2	59074662	B.02.01_1_47161	20	6
58179414	B.03.01_0_50545	9	2		M.02.02_0_41339	19	2	59074701	D.15.02_0_40421	38	1
	B.03.02_0_50571	9	2	59073184	A.04.02_0_45780	7	1	59074702	D.15.02_0_40421	39	1
58179463	F.01.02_0_51136	1	1		A.04.04_0_45812	7	1	59074744	F.04.01_0_46735	19	1
	F.02.01_0_51232	1	1	59073242	D.15.02_0_40421	31	2	59074748	F.04.01_0_46735	23	1

SPARE PARTS INSTANCE INDEX

Code	Parts Table	Pos.	Q.ty	Code	Parts Table	Pos.	Q.ty	Code	Parts Table	Pos.	Q.ty
59074749	F.04.01_0_46735	24	1	59075790	T.01.01_0_41550	6	1	59076780	B.05.01_0_50640	14	1
59074754	L.02.01_0_40937	7	1		T.01.02_0_41578	9	1		B.05.02_0_50667	12	1
	L.02.03_0_41043	7	1	59075813	C.02.02_0_39075	8	1	59076870	A.05.01_0_45829	16	1
	L.02.04_0_41097	7	1	59075917	F.04.01_0_46735	22	1	59077057	B.03.02_0_50571	13	1
59074759	L.02.01_0_40937	23	1	59075979	M.02.01_0_41268	28	1	59077058	B.03.02_0_50571	14	1
	L.02.04_0_41097	24	1		M.02.02_0_41339	28	1	59077242	E.03.02_0_42668	17	1
59074782	B.04.03_0_39956	23	1	59076085	L.01.01_0_40903	12	1	59077318	A.01.01_1_48842	12	1
59074993	D.12.01_1_40279	64	1		M.01.01_0_41199	13	1		A.01.02_1_45599	12	1
59075012	T.03.02_0_41719	1.1	1	59076100	T.01.03_0_41614	8	2		A.01.03_1_45644	12	1
59075064	L.02.03_0_41043	26	1	59076211	F.01.02_0_51136	4	1	59077359	B.05.01_0_50640	18	1
59075137	M.01.01_0_41199	60	1	59076212	F.01.02_0_51136	20	2	59077382	T.01.03_0_41614	14	1
59075140	M.01.01_0_41199	55	1	59076213	F.01.02_0_51136	12	1	59077383	T.01.03_0_41614	13	1
59075148	M.01.01_0_41199	19	1	59076613	B.03.01_0_50545	14	1	59077412	B.03.01_0_50545	16	1
59075171	M.02.01_0_41268	49	1	59076615	B.03.01_0_50545	13	1	59077455V	B.05.01_0_50640	3	1
	M.02.02_0_41339	49	1	59076619	A.01.02_1_45599	32	1		B.05.02_0_50667	1	1
59075178	M.01.01_0_41199	61	1		A.01.03_1_45644	32	1	59077463V	B.05.01_0_50640	4	1
59075216	M.02.01_0_41268	7	1	59076620	A.01.01_1_48842	32	1		B.05.02_0_50667	2	1
	M.02.02_0_41339	7	1	59076649V	B.03.01_0_50545	1	1	59077778	F.01.02_0_51136	23	1
59075217	M.02.01_0_41268	24	1		B.03.02_0_50571	1	1	59077779	F.01.02_0_51136	24	1
	M.02.02_0_41339	24	1	59076653V	B.03.01_0_50545	2	1	59077933	A.05.01_0_45829	13	1
59075224	F.03.02_1_40650	38	1		B.03.02_0_50571	2	1	59077935	A.05.01_0_45829	17	1
59075225	F.03.02_1_40650	39	1	59076679	A.05.01_0_45829	23	1	59078588	L.01.01_0_40903	30	1
59075253	M.02.01_0_41268	37	1	59076682	A.01.02_1_45599	36	1		T.01.01_0_41550	12	1
	M.02.02_0_41339	37	1		A.01.03_1_45644	36	1	59078865	D.13.01_0_40355	22	1
59075283	B.01.01_0_47067	28	1	59076684	A.03.01_0_45689	13	1	59079167	A.01.01_1_48842	6	1
59075359	L.02.01_0_40937	27	1		A.03.02_0_45727	13	1		A.01.02_1_45599	6	1
	L.02.04_0_41097	28	1	59076685	A.05.01_0_45829	12	1		A.01.03_1_45644	6	1
59075389	L.02.03_0_41043	27	1	59076686	A.05.01_0_45829	26	1	59079186	T.01.03_0_41614	2	1
59075390	L.02.03_0_41043	30	1		B.02.01_1_47161	6	1	59079187	T.01.03_0_41614	3	1
59075572	D.13.01_0_40355	21	1	59076688	A.01.01_1_48842	16	1	59079478	F.02.01_0_51232	12	1
59075678	F.04.01_0_46735	12	1		A.01.02_1_45599	16	1	59079479	F.01.02_0_51136	3	1
59075679	F.04.01_0_46735	28	1		A.01.03_1_45644	16	1	59270304	W.01.01_0_44125	1/1	1
59075789	T.01.01_0_41550	5	1	59076690	B.03.01_0_50545	17	2	59271011	F.04.01_0_46735	8	1
	T.01.02_0_41578	8	1	59076756	B.01.01_0_47067	21	1	59273925	W.01.01_0_44125	1/2	1



SPARE PARTS INSTANCE INDEX

Code	Parts Table	Pos.	Q.ty	Code	Parts Table	Pos.	Q.ty	Code	Parts Table	Pos.	Q.ty
59275632	W.01.01_0_44125	10/1	1	59900030	Y.01.01_0_44535	29	2	59900075	Y.01.07_0_45001	3	4
59275633	W.01.01_0_44125	10/2	1	59900034	Y.01.01_0_44535	33	2	59900082	Y.01.08_0_45176	5	4
59276001	C.02.02_0_39075	1	1	59900035	Y.01.01_0_44535	37	4	59900090	Y.01.02_0_44621	1	1
59276076	D.12.01_1_40279	48	1	59900036	Y.01.06_0_44875	15	2	59900092	Y.01.02_0_44621	29	1
59276320	W.01.01_0_44125	6/1	1		Y.01.09_0_45063	13	16	59900093	Y.01.02_0_44621	4	1
59276321	W.01.01_0_44125	6/2	1	59900037	Y.01.01_0_44535	41	5		Y.01.03_0_44709	4	1
59276964	W.01.02_0_45287	6/2	1		Y.01.02_0_44621	34	1	59900094	Y.01.02_0_44621	5	2
59276965	W.01.02_0_45287	6/1	1	59900038	Y.01.07_0_45001	1a	1		Y.01.03_0_44709	5	1
59277414	W.01.02_0_45287	1/2	1	59900039	Y.01.07_0_45001	1b	1	59900095	Y.01.02_0_44621	6	2
59277415	W.01.02_0_45287	1/1	1	59900041	Y.01.06_0_44875	52	1		Y.01.03_0_44709	6	2
59277990	W.01.01_0_44125	15/1	1	59900042	Y.01.07_0_45001	4a	1	59900096	Y.01.02_0_44621	7a	1
59277991	W.01.01_0_44125	15/2	1	59900043	Y.01.07_0_45001	4b	1	59900097	Y.01.02_0_44621	7b	1
59278554	D.03.02_1_39804	1	1	59900046	Y.01.07_0_45001	6	1	59900098	Y.01.02_0_44621	9	1
59278555	D.03.02_1_39804	2	1	59900047	Y.01.07_0_45001	7	1		Y.01.02_0_44621	10	1
59375009	T.03.02_0_41719	1	1	59900048	Y.01.07_0_45001	8	1		Y.01.03_0_44709	9	1
59376519	D.01.01_0_40115	12	1	59900049	Y.01.07_0_45001	9	4		Y.01.03_0_44709	10	1
59377433	D.12.01_1_40279	57	1	59900050	Y.01.07_0_45001	10	1	59900102	Y.01.02_0_44621	13	9
59377730	T.03.03_0_42459	2	1	59900051	Y.01.06_0_44875	44	2		Y.01.03_0_44709	12	8
59377734	T.03.03_0_42459	1	1	59900052	Y.01.06_0_44875	29	2		Y.01.04_0_45149	4	4
59378814	D.09.01_0_39847	4	1	59900055	Y.01.06_0_44875	3	1		Y.01.05_0_44795	14	2
59900006	Y.01.01_0_44535	5	2	59900057	Y.01.06_0_44875	39	1	59900103	Y.01.02_0_44621	39	6
59900007	Y.01.01_0_44535	6	1	59900058	Y.01.06_0_44875	38	1		Y.01.03_0_44709	26	5
59900009	Y.01.01_0_44535	8	1	59900059	Y.01.06_0_44875	4	1		Y.01.04_0_45149	6	2
59900010	Y.01.01_0_44535	9	1	59900062	Y.01.06_0_44875	30	1		Y.01.05_0_44795	13	2
59900011	Y.01.01_0_44535	10	1	59900068	Y.01.06_0_44875	13	1	59900106	Y.01.02_0_44621	20	4
59900012	Y.01.01_0_44535	11	1	59900070	Y.01.06_0_44875	18	1		Y.01.03_0_44709	21	4
59900013	Y.01.01_0_44535	13	1	59900071	Y.01.06_0_44875	10	8		Y.01.05_0_44795	16	2
59900018	Y.01.06_0_44875	19	2	59900073	Y.01.07_0_45001	15	4	59900107	Y.01.02_0_44621	24	1
59900019	Y.01.06_0_44875	20	2	59900074	Y.01.02_0_44621	17	13		Y.01.03_0_44709	15	1
59900020	Y.01.06_0_44875	17	4		Y.01.03_0_44709	13	9	59900108	Y.01.02_0_44621	25	2
59900026	Y.01.01_0_44535	25	2		Y.01.04_0_45149	5	4		Y.01.03_0_44709	17	1
59900027	Y.01.01_0_44535	26	2		Y.01.05_0_44795	12	4	59900109	Y.01.01_0_44535	40	2
59900028	Y.01.01_0_44535	19	2		Y.01.07_0_45001	13	4		Y.01.02_0_44621	23	4
59900029	Y.01.01_0_44535	28	1	59900075	Y.01.06_0_44875	32	1		Y.01.03_0_44709	25	4



SPARE PARTS INSTANCE INDEX

Code	Parts Table	Pos.	Q.ty	Code	Parts Table	Pos.	Q.ty	Code	Parts Table	Pos.	Q.ty
59900109	Y.01.04_0_45149	9	2	59900184	B.12.02_0_51039	6	1	59900381	Y.01.01_0_44535	4	2
	Y.01.05_0_44795	11	9	59900185	B.12.02_0_51039	7	1	59900382	Y.01.01_0_44535	7	2
59900117	Y.01.05_0_44795	8	2	59900186	B.12.02_0_51039	8	1		Y.01.08_0_45176	4	1
	Y.01.07_0_45001	26	4	59900187	B.12.02_0_51039	9	1	59900383	Y.01.01_0_44535	12	4
59900118	Y.01.05_0_44795	19	1	59900200	B.12.02_0_51039	1	1	59900384	Y.01.01_0_44535	14a	1
59900119	Y.01.02_0_44621	38	4	59900230	I.01.01_0_40883	10.1	1	59900385	Y.01.01_0_44535	14b	1
	Y.01.03_0_44709	29	4		I.01.01_0_40883	11.1	1	59900386	Y.01.01_0_44535	15	2
	Y.01.05_0_44795	20	2	59900242	E.03.02_0_42668	1.3	1	59900387	Y.01.01_0_44535	16	1
59900123	Y.01.05_0_44795	30a	1	59900339	F.03.02_1_40650	36.2	1		Y.01.06_0_44875	50	1
59900124	Y.01.05_0_44795	30b	1	59900344	A.01.01_1_48842	1.3	1	59900388	Y.01.01_0_44535	17	1
59900125	Y.01.05_0_44795	31a	1		A.01.02_1_45599	1.3	1	59900389	Y.01.01_0_44535	18	1
59900126	Y.01.05_0_44795	31b	1		A.01.03_1_45644	1.3	1	59900390	Y.01.01_0_44535	20	4
59900127	Y.01.05_0_44795	32	1	59900345	A.01.01_1_48842	1.5	1	59900391	Y.01.01_0_44535	21	1
59900128	Y.01.05_0_44795	33	1		A.01.02_1_45599	1.5	1	59900392	Y.01.01_0_44535	23	2
59900129	Y.01.05_0_44795	28	1		A.01.03_1_45644	1.5	1	59900393	Y.01.01_0_44535	24	2
59900130	Y.01.05_0_44795	27	1	59900347	A.04.01_0_45765	1.2	1	59900394	Y.01.01_0_44535	27	2
59900131	Y.01.05_0_44795	23	1		A.04.02_0_45780	1.2	1	59900395	Y.01.01_0_44535	30	2
59900132	Y.01.03_0_44709	1	1		A.04.03_0_45796	1.2	1		Y.01.06_0_44875	55	14
59900134	Y.01.03_0_44709	34	1		A.04.04_0_45812	1.2	1	59900396	Y.01.01_0_44535	31	1
59900135	Y.01.03_0_44709	7a	1	59900353	A.04.01_0_45765	1.1	1		Y.01.07_0_45001	22	11
59900136	Y.01.03_0_44709	8	1		A.04.02_0_45780	1.1	1		Y.01.09_0_45063	24	1
59900138	Y.01.02_0_44621	41	1		A.04.03_0_45796	1.1	1	59900397	Y.01.01_0_44535	32	2
	Y.01.03_0_44709	14	1		A.04.04_0_45812	1.1	1	59900398	Y.01.01_0_44535	35	8
59900152	B.12.01_0_46793	15	1	59900361	W.01.01_0_44125	1.3	1		Y.01.07_0_45001	18	2
59900153	B.12.01_0_46793	9	1		W.01.01_0_44125	6.3	1	59900399	Y.01.01_0_44535	36	1
59900154	B.12.01_0_46793	8	4		W.01.01_0_44125	10.3	1		Y.01.06_0_44875	33	1
59900155	B.12.01_0_46793	7/1	1		W.01.02_0_45287	6.3	1	59900400	Y.01.02_0_44621	2	1
59900156	B.12.01_0_46793	6	1	59900364	L.02.03_0_41043	22	1	59900401	Y.01.02_0_44621	3	1
59900157	B.12.01_0_46793	11	1	59900365	L.02.03_0_41043	34	1	59900402	Y.01.02_0_44621	12	2
59900158	B.12.01_0_46793	10	18	59900376	D.12.01_1_40279	12	1		Y.01.03_0_44709	22	2
59900159	B.12.01_0_46793	5	1	59900377	Y.01.05_0_44795	1a	1	59900403	Y.01.02_0_44621	16	1
59900160	B.12.01_0_46793	12	1	59900378	Y.01.01_0_44535	1	1		Y.01.03_0_44709	31	1
59900161	B.12.01_0_46793	14	1	59900379	Y.01.01_0_44535	2	1	59900404	Y.01.02_0_44621	19	2
59900183	B.12.02_0_51039	5	1	59900380	Y.01.01_0_44535	3	1		Y.01.07_0_45001	14	4



SPARE PARTS INSTANCE INDEX

Code	Parts Table	Pos.	Q.ty	Code	Parts Table	Pos.	Q.ty	Code	Parts Table	Pos.	Q.ty
59900405	Y.01.02_0_44621	27	2	59900431	Y.01.05_0_44795	22b	1	59900462	Y.01.06_0_44875	43	8
	Y.01.03_0_44709	27	2	59900432	Y.01.05_0_44795	24	2	59900463	Y.01.06_0_44875	45	2
59900406	Y.01.02_0_44621	28	2		Y.01.07_0_45001	20	2	59900464	Y.01.06_0_44875	46	6
	Y.01.03_0_44709	28	2		Y.01.09_0_45063	25	1	59900465	Y.01.06_0_44875	48	2
59900407	Y.01.02_0_44621	30	1	59900433	Y.01.05_0_44795	34a	1	59900466	Y.01.06_0_44875	49	1
	Y.01.03_0_44709	20	1	59900434	Y.01.05_0_44795	34b	1		Y.01.07_0_45001	11	1
	Y.01.03_0_44709	30	1	59900435	Y.01.06_0_44875	1	1	59900467	Y.01.06_0_44875	51	2
59900408	Y.01.02_0_44621	31	2	59900436	Y.01.06_0_44875	2	1	59900468	Y.01.06_0_44875	53	2
	Y.01.03_0_44709	32	2	59900437	Y.01.06_0_44875	5	1	59900469	Y.01.06_0_44875	54	1
59900409	Y.01.02_0_44621	32	1	59900438	Y.01.06_0_44875	6	1	59900470	Y.01.06_0_44875	56a	1
	Y.01.03_0_44709	33	1	59900439	Y.01.06_0_44875	7	9	59900471	Y.01.06_0_44875	56b	1
59900410	Y.01.02_0_44621	33	1	59900440	Y.01.06_0_44875	8	1	59900472	Y.01.06_0_44875	57a	1
59900411	Y.01.02_0_44621	36	1	59900441	Y.01.06_0_44875	9	1	59900473	Y.01.06_0_44875	57b	1
	Y.01.03_0_44709	11	1	59900442	Y.01.06_0_44875	11	1	59900474	Y.01.06_0_44875	59	4
	Y.01.09_0_45063	21	4	59900443	Y.01.06_0_44875	12	1	59900475	Y.01.07_0_45001	2	1
59900412	Y.01.02_0_44621	42	1	59900444	Y.01.06_0_44875	14	1	59900476	Y.01.07_0_45001	5	3
59900413	Y.01.03_0_44709	2	1	59900445	Y.01.06_0_44875	16	1	59900477	Y.01.07_0_45001	12	1
59900414	Y.01.03_0_44709	3	1	59900446	Y.01.06_0_44875	21	1	59900478	Y.01.07_0_45001	21	1
59900415	Y.01.03_0_44709	41	1	59900447	Y.01.06_0_44875	22	1	59900479	Y.01.07_0_45001	27a	1
59900416	Y.01.03_0_44709	42	1		Y.01.09_0_45063	11	1	59900480	Y.01.07_0_45001	27b	1
59900417	Y.01.04_0_45149	1a	1	59900448	Y.01.06_0_44875	23	1	59900481	Y.01.08_0_45176	1	1
59900418	Y.01.04_0_45149	1b	1	59900449	Y.01.06_0_44875	24	1	59900482	Y.01.08_0_45176	2a	1
59900419	Y.01.04_0_45149	2	1	59900450	Y.01.06_0_44875	25	1	59900483	Y.01.08_0_45176	2b	1
59900420	Y.01.04_0_45149	10a	1	59900451	Y.01.06_0_44875	26	1	59900484	Y.01.08_0_45176	3a	1
59900421	Y.01.04_0_45149	10b	1	59900452	Y.01.06_0_44875	27	1	59900485	Y.01.08_0_45176	3b	1
59900422	Y.01.05_0_44795	1b	1	59900453	Y.01.06_0_44875	28	1	59900486	Y.01.08_0_45176	7	4
59900423	Y.01.05_0_44795	2	1	59900454	Y.01.06_0_44875	34	4	59900487	Y.01.08_0_45176	9	4
59900424	Y.01.05_0_44795	3	2	59900455	Y.01.06_0_44875	35	4	59900488	Y.01.08_0_45176	10	4
59900425	Y.01.05_0_44795	4	2	59900456	Y.01.06_0_44875	36	1	59900489	Y.01.08_0_45176	11	4
59900426	Y.01.05_0_44795	5	2	59900457	Y.01.06_0_44875	37a	1	59900490	Y.01.08_0_45176	12	1
59900427	Y.01.05_0_44795	6	2	59900458	Y.01.06_0_44875	37b	1	59900491	Y.01.08_0_45176	13	8
59900428	Y.01.05_0_44795	15	1	59900459	Y.01.06_0_44875	40	1	59900492	Y.01.08_0_45176	14	8
59900429	Y.01.05_0_44795	18	1	59900460	Y.01.06_0_44875	41	2	59900493	Y.01.08_0_45176	16	4
59900430	Y.01.05_0_44795	22a	1	59900461	Y.01.06_0_44875	42	2	59900494	Y.01.08_0_45176	19	8



SPARE PARTS INSTANCE INDEX

Code	Parts Table	Pos.	Q.ty	Code	Parts Table	Pos.	Q.ty	Code	Parts Table	Pos.	Q.ty
59900495	Y.01.08_0_45176	20	2	59900529	Y.01.09_0_45063	35b	1	F0256910010	B.05.02_0_50667	9	1
59900496	Y.01.08_0_45176	21	1	59900530	Y.01.09_0_45063	36	1	F0801022000	T.03.03_0_42459	16	1
59900497	Y.01.08_0_45176	22	1	59900766	A.01.01_1_48842	1.4	1	F0801028000	T.03.03_0_42459	10	6
59900498	Y.01.08_0_45176	23	1		A.01.02_1_45599	1.4	1	F0801050000	M.01.01_0_41199	23	1
59900499	Y.01.09_0_45063	1	1		A.01.03_1_45644	1.4	1	F0801095000	D.15.02_0_40421	27	1
59900500	Y.01.09_0_45063	2	1	59900975	B.02.01_1_47161	1/1	1	F0801138010	D.02.01_0_39284	9	1
59900501	Y.01.09_0_45063	3	1	59900976	B.02.01_1_47161	1/3	1	F0801163000	F.03.02_1_40650	31	1
59900502	Y.01.09_0_45063	4	1	59900977	B.02.01_1_47161	1/5	1	F0801218010	D.01.01_0_40115	28	2
59900503	Y.01.09_0_45063	5	1	59900978	B.02.01_1_47161	1/7	1	F0801241010	D.05.01_1_42883	4	4
59900504	Y.01.09_0_45063	6	1	59900979	B.02.01_1_47161	1/9	1		D.12.01_1_40279	15	1
59900505	Y.01.09_0_45063	7	1	59900980	B.02.01_1_47161	1/11	1		D.15.02_0_40421	10	2
59900506	Y.01.09_0_45063	8	1	59900981	B.02.01_1_47161	1/2	1		L.01.01_0_40903	23	2
59900507	Y.01.09_0_45063	9	1	59900982	B.02.01_1_47161	1/4	1		M.01.01_0_41199	33	2
59900508	Y.01.09_0_45063	10	1	59900983	B.02.01_1_47161	1/6	1	F0801248000	D.12.01_1_40279	12.3	1
59900509	Y.01.09_0_45063	12a	1	59900984	B.02.01_1_47161	1/8	1	F0801264050	D.02.01_0_39284	12	1
59900510	Y.01.09_0_45063	12b	1	59900985	B.02.01_1_47161	1/10	1		D.04.01_1_42845	1	1
59900511	Y.01.09_0_45063	14	1	59900986	B.02.01_1_47161	1/12	1	F0801266100	D.02.01_0_39284	20	1
59900512	Y.01.09_0_45063	15	1	59901048	B.12.01_0_46793	2	1	F0801282000	L.02.01_0_40937	38	12
59900513	Y.01.09_0_45063	16	1	59901049	B.12.01_0_46793	4	1		L.02.03_0_41043	45	10
59900514	Y.01.09_0_45063	17	1	59901086	E.01.01_0_42630	8.1	2		L.02.04_0_41097	39	12
59900515	Y.01.09_0_45063	18	2	59901087	E.03.02_0_42668	13.1	2		M.02.01_0_41268	58	12
59900516	Y.01.09_0_45063	19	4	F0110037024	L.02.03_0_41043	25	1		M.02.02_0_41339	58	12
59900517	Y.01.09_0_45063	22	1	F0150010905	W.01.01_0_44125	11	1	F0801282050	D.12.01_1_40279	45	1
59900518	Y.01.09_0_45063	23	1		W.01.02_0_45287	7	1	F0801297050	D.12.01_1_40279	49	1
59900519	Y.01.09_0_45063	26	1	F0150036215	B.12.02_0_51039	2	1	F0801299100	D.06.01_1_42932	21	2
59900520	Y.01.09_0_45063	27	1	F0150036219	B.12.02_0_51039	3	1	F0801310600	C.01.01_1_38975	43	1
59900521	Y.01.09_0_45063	28	1	F0190018909	E.02.01_0_46767	2	1	F0801331050	L.01.01_0_40903	20	2
59900522	Y.01.09_0_45063	29	1	F0256808000	A.05.01_0_45829	31	1		M.01.01_0_41199	30	2
59900523	Y.01.09_0_45063	30	1		B.04.03_0_39956	26	1	F0801331150	D.04.01_1_42845	7	2
59900524	Y.01.09_0_45063	31	1	F0256809010	B.10.01_0_38824	3	1	F0801353000	D.04.01_1_42845	12	1
59900525	Y.01.09_0_45063	32	1	F0256809050	A.03.01_0_45689	6	1		D.12.01_1_40279	9	1
59900526	Y.01.09_0_45063	33	1		A.03.02_0_45727	6	1	F0801380100	D.04.01_1_42845	16	2
59900527	Y.01.09_0_45063	34	1	F0256909000	F.03.02_1_40650	55	1	F0801422010	D.01.01_0_40115	10	2
59900528	Y.01.09_0_45063	35a	1	F0256910010	B.05.01_0_50640	11	1	F0801455100	D.02.01_0_39284	32	1



SPARE PARTS INSTANCE INDEX

Code	Parts Table	Pos.	Q.ty	Code	Parts Table	Pos.	Q.ty	Code	Parts Table	Pos.	Q.ty
F0802104000	D.09.01_0_39847	1	1	F0812784000	D.12.01_1_40279	18	2	F0817500200	A.01.02_1_45599	29	1
F0802119050	D.01.01_0_40115	24	4	F0812811000	D.06.01_1_42932	20	2		A.01.03_1_45644	29	1
F0802163010	D.02.01_0_39284	11	1	F0812859000	D.01.01_0_40115	9	2		A.03.01_0_45689	31	4
F0802228005	D.12.01_1_40279	29	1	F0812868000	D.04.01_1_42845	2	1		A.03.02_0_45727	31	4
F0802239045	D.01.01_0_40115	7	1	F0812868100	D.02.01_0_39284	15	1		A.05.01_0_45829	20	4
F0802700150	D.10.01_0_39887	1	1	F0812878040	D.04.01_1_42845	4	2	F0817500400	A.01.01_1_48842	28	3
F0803050000	F.03.02_1_40650	24	1	F0812899000	D.06.01_1_42932	2	1		A.01.02_1_45599	28	3
F0803057000	D.03.02_1_39804	15	2	F0812918010	D.04.01_1_42845	22	1		A.01.03_1_45644	28	3
F0803078100	D.01.01_0_40115	5	1		D.12.01_1_40279	27	3		A.03.01_0_45689	33	2
F0803185000	L.02.01_0_40937	2	1	F0812951070	D.06.01_1_42932	5	2		A.03.02_0_45727	33	2
	L.02.03_0_41043	2	1	F0812951200	D.04.01_1_42845	15	2	F0817500470	A.03.01_0_45689	25	2
	L.02.04_0_41097	2	1	F0812951300	D.12.01_1_40279	21	1		A.03.02_0_45727	25	2
	M.02.01_0_41268	2	1	F0812956000	D.01.01_0_40115	14	2	F0817500500	A.03.01_0_45689	22	1
	M.02.02_0_41339	2	1		D.09.01_0_39847	13	2		A.03.02_0_45727	22	1
F0803199010	D.12.01_1_40279	66	1	F0812957000	D.06.01_1_42932	14	1	F0817500700	A.03.01_0_45689	24	1
F0803209000	D.11.01_0_40184	4	1	F0812957010	D.12.01_1_40279	11	1		A.03.02_0_45727	24	1
F0803209070	C.01.01_1_38975	13	1	F0812975250	D.10.01_0_39887	2	2	F0817500800	A.04.03_0_45796	9	1
F0803259000	C.01.01_1_38975	12	1	F0814545000	A.03.01_0_45689	20	2		A.04.04_0_45812	10	1
F0808060100	T.03.01_0_41710	2	1		A.03.02_0_45727	20	2	F0817500900	A.04.03_0_45796	10	1
F0808518050	B.07.01_0_42552	31	4	F0814547000	B.02.01_1_47161	26	8		A.04.04_0_45812	11	1
F0810510000	D.03.02_1_39804	24	2	F0814569000	B.01.01_0_47067	20	1	F0817501000	A.04.01_0_45765	9	2
	D.14.01_0_40378	6	2		D.03.02_1_39804	19	2		A.04.02_0_45780	10	2
	D.15.02_0_40421	15	5		M.01.01_0_41199	24	5	F0817501200	A.04.01_0_45765	7	1
F0810527000	D.03.02_1_39804	32	2	F0814585000	B.02.01_1_47161	5	3		A.04.03_0_45796	7	1
F0812523050	D.02.01_0_39284	1	1		B.10.01_0_38824	8	1	F0817503000	F.01.02_0_51136	9	8
F0812599086	D.12.01_1_40279	12.1	1	F0814627000	D.15.02_0_40421	19	1	F0817516200	L.02.03_0_41043	39	2
F0812637000	D.12.01_1_40279	2	2	F0814632000	A.03.01_0_45689	10	4	F0817640003	D.07.02_1_39700	5	3
F0812660020	D.04.01_1_42845	21	1		A.03.02_0_45727	10	4	F0822537050	D.03.02_1_39804	29	1
F0812689050	D.12.01_1_40279	12.2	1		C.01.01_1_38975	10	2		D.15.02_0_40421	30	4
F0812692015	D.06.01_1_42932	16	1	F0814750010	C.03.01_0_39252	9	16	F0824022000	L.02.01_0_40937	5	1
F0812708030	D.05.01_1_42883	2	1	F0814793010	W.01.01_0_44125	15.5	6		L.02.03_0_41043	5	1
F0812736010	D.12.01_1_40279	31	1	F0814794000	B.03.01_0_50545	21	2		L.02.04_0_41097	5	1
F0812747000	C.01.01_1_38975	28	4	F0814797000	C.01.01_1_38975	31.1	2		M.02.01_0_41268	5	1
F0812783000	D.04.01_1_42845	19	1	F0817500200	A.01.01_1_48842	29	1		M.02.02_0_41339	5	1

SPARE PARTS INSTANCE INDEX

Code	Parts Table	Pos.	Q.ty	Code	Parts Table	Pos.	Q.ty	Code	Parts Table	Pos.	Q.ty
F0824110000	F.03.02_1_40650	54	2	F0825436003	E.03.02_0_42668	1.6	1	F0835040030	F.03.02_1_40650	18	2
	F.04.01_0_46735	21	2	F0825438000	E.03.02_0_42668	5	1	F0835523000	D.03.02_1_39804	26	1
	L.02.01_0_40937	25	14	F0825480100	E.02.01_0_46767	1	1	F0837521000	B.10.01_0_38824	42	1
	L.02.03_0_41043	29	18	F0825488000	E.03.02_0_42668	9	2	F0837534010	L.02.01_0_40937	16	4
	L.02.04_0_41097	26	15	F0825493000	E.03.02_0_42668	18	1		L.02.03_0_41043	14	4
	M.02.01_0_41268	11	17	F0825500220	B.08.02_0_38771	8.1	1		L.02.04_0_41097	17	4
	M.02.02_0_41339	11	18	F0825718020	F.01.02_0_51136	14.1	2		M.02.01_0_41268	17	3
F0824113000	C.03.01_0_39252	15	1	F0825809000	L.02.01_0_40937	1	1		M.02.02_0_41339	17	3
	F.02.01_0_51232	14	2		L.02.03_0_41043	1	1	F0838154010	D.12.01_1_40279	59	2
	F.03.02_1_40650	44	2		L.02.04_0_41097	1	1	F0838475000	C.01.01_1_38975	9	2
	L.02.01_0_40937	32	4		M.02.01_0_41268	1	1	F0842512000	F.03.02_1_40650	12	2
	L.02.03_0_41043	37	4		M.02.02_0_41339	1	1	F0843107000	F.03.02_1_40650	51	1
	L.02.04_0_41097	33	4	F0825980030	L.02.01_0_40937	39	6		F.04.01_0_46735	13	8
	M.02.01_0_41268	53	4		L.02.03_0_41043	46	5	F0843109000	F.03.02_1_40650	47	2
	M.02.02_0_41339	53	4		L.02.04_0_41097	40	6	F0843109020	F.03.02_1_40650	53	1
F0824141000	F.03.02_1_40650	14	8		M.02.01_0_41268	59	6		F.04.01_0_46735	20/1	1
	L.02.01_0_40937	37	7		M.02.02_0_41339	59	6		L.02.01_0_40937	24	4
	L.02.03_0_41043	44	6	F0826039000	D.03.02_1_39804	31	2		L.02.03_0_41043	28	3
	L.02.04_0_41097	38	6	F0826056000	C.02.02_0_39075	7	2		L.02.04_0_41097	25	4
	M.02.01_0_41268	31	4		L.01.01_0_40903	6	1		M.02.01_0_41268	10	4
	M.02.01_0_41268	57	7		M.01.01_0_41199	7	3		M.02.02_0_41339	10	4
	M.02.02_0_41339	31	4		T.01.03_0_41614	4	2	F0843110010	F.03.02_1_40650	43	1
	M.02.02_0_41339	57	6		T.03.02_0_41719	1.2	1		L.02.01_0_40937	31	2
F0824185000	F.01.02_0_51136	22	1	F0828029070	A.02.02_0_42523	1	1		L.02.03_0_41043	36	2
	F.04.01_0_46735	16	1	F0828468050	D.13.01_0_40355	12	2		L.02.04_0_41097	32	2
F0825115010	B.08.02_0_38771	10	1	F0831047000	D.13.01_0_40355	9	1		M.02.01_0_41268	25	3
F0825139000	E.03.02_0_42668	1.4	1	F0831065000	B.01.01_0_47067	13	1		M.02.01_0_41268	52	2
F0825400060	B.08.02_0_38771	9	1	F0831125000	A.02.02_0_42523	14	2		M.02.02_0_41339	25	1
F0825403050	B.08.02_0_38771	18	1	F0835031010	F.03.02_1_40650	19	4		M.02.02_0_41339	52	2
F0825414000	A.05.01_0_45829	25	2	F0835037000	L.02.01_0_40937	36	5	F0843116000	F.03.02_1_40650	13	4
F0825417000	E.02.01_0_46767	8	1		L.02.03_0_41043	43	4		L.02.01_0_40937	42	1
F0825436000	B.08.02_0_38771	7.3	1		L.02.04_0_41097	37	6		L.02.03_0_41043	49	1
	E.03.02_0_42668	1.5	1		M.02.01_0_41268	56	5		M.02.01_0_41268	30	2
F0825436003	B.08.02_0_38771	7.4	1		M.02.02_0_41339	56	6		M.02.01_0_41268	62	1

SPARE PARTS INSTANCE INDEX

Code	Parts Table	Pos.	Q.ty	Code	Parts Table	Pos.	Q.ty	Code	Parts Table	Pos.	Q.ty
F0843116000	M.02.02_0_41339	30	2	F0843643060	D.15.02_0_40421	25	7	F0843755000	T.01.03_0_41614	16	8
F0843561000	A.02.02_0_42523	24	1		F.01.02_0_51136	17	12		T.01.03_0_41614	18	2
F0843570000	A.01.01_1_48842	24	2		F.03.02_1_40650	27	2	F0843771000	D.07.02_1_39700	15	5
	A.01.02_1_45599	24	2		F.04.01_0_46735	3	2		F.04.01_0_46735	18	3
	A.01.03_1_45644	24	2		L.01.01_0_40903	10	2	F0843815000	F.02.01_0_51232	11	2
	A.03.01_0_45689	3	6		L.01.01_0_40903	26	2	F0843818000	B.04.03_0_39956	10	6
	A.03.02_0_45727	3	6		L.02.01_0_40937	9	7		B.04.04_0_39988	8	6
	A.05.01_0_45829	28	2		L.02.03_0_41043	9	6	F0843841000	D.03.02_1_39804	3	2
	B.01.01_0_47067	23	12		L.02.04_0_41097	9	7		F.04.01_0_46735	11	1
	B.02.01_1_47161	15	2		M.01.01_0_41199	11	2	F0843907000	D.03.02_1_39804	8	2
	B.04.03_0_39956	20	4		M.01.01_0_41199	36	2		F.01.02_0_51136	8	1
	C.01.01_1_38975	49	8		M.02.01_0_41268	9	13		F.03.02_1_40650	20	4
	F.02.01_0_51232	7	4		M.02.02_0_41339	9	13		F.03.02_1_40650	52	2
	F.03.02_1_40650	8	4		T.01.01_0_41550	13	2		F.04.01_0_46735	14	16
	F.03.02_1_40650	41	1		T.01.02_0_41578	16	2	F0843921030	B.01.01_0_47067	26	2
	F.04.01_0_46735	6	3		T.01.03_0_41614	22	2	F0843948000	F.03.02_1_40650	35	10
	M.01.01_0_41199	57	2	F0843696000	B.12.02_0_51039	12	4		F.04.01_0_46735	9	1
	M.01.01_0_41199	63	1	F0843711000	D.15.02_0_40421	37	4	F0843993060	W.01.01_0_44125	19	4
F0843581010	D.03.02_1_39804	7	2	F0843755000	A.01.01_1_48842	11	6		W.01.02_0_45287	17	4
F0843641000	D.03.02_1_39804	10	1		A.01.02_1_45599	11	6	F0844030070	A.01.01_1_48842	22	1
	D.12.01_1_40279	63	1		A.01.03_1_45644	11	6		A.01.02_1_45599	22	1
F0843643060	A.01.01_1_48842	4	7		A.03.01_0_45689	9	5		A.01.03_1_45644	22	1
	A.01.02_1_45599	4	7		A.03.02_0_45727	9	5	F0844082000	W.01.01_0_44125	15.4	6
	A.01.03_1_45644	4	7		A.05.01_0_45829	15	2	F0844084000	W.01.02_0_45287	1.4	5
	A.02.02_0_42523	5	5		B.04.03_0_39956	8	6	F0844150000	W.01.01_0_44125	3	1
	A.03.01_0_45689	17	3		B.04.04_0_39988	6	6		W.01.02_0_45287	3	4
	A.03.02_0_45727	17	3		C.01.01_1_38975	11	2	F0844273090	C.01.01_1_38975	5	2
	A.05.01_0_45829	30	1		E.02.01_0_46767	6	1		C.03.01_0_39252	5	1
	B.01.01_0_47067	19	1		F.01.02_0_51136	19	4		D.10.01_0_39887	16	1
	B.02.01_1_47161	9	6		F.02.01_0_51232	10	2		L.02.01_0_40937	44	1
	B.04.03_0_39956	25	6		F.03.02_1_40650	4	6		L.02.03_0_41043	51	1
	B.10.01_0_38824	15	16		M.01.01_0_41199	48	2		L.02.04_0_41097	43	1
	C.01.01_1_38975	36	2		T.01.01_0_41550	8	8		M.02.01_0_41268	64	1
	C.02.02_0_39075	11	2		T.01.02_0_41578	11	8		M.02.02_0_41339	62	1



SPARE PARTS INSTANCE INDEX

Code	Parts Table	Pos.	Q.ty	Code	Parts Table	Pos.	Q.ty	Code	Parts Table	Pos.	Q.ty
F0847434000	D.07.02_1_39700	38	5	F0851486000	T.01.01_0_41550	10.2	3	F0860091020	D.15.02_0_40421	32	2
	D.13.01_0_40355	19	2		T.01.02_0_41578	4.4	1	F0861867001	B.08.02_0_38771	22	3
F0847462000	D.13.01_0_40355	8	1		T.01.02_0_41578	5.4	1	F0861867050	A.05.01_0_45829	4	6
F0848655100	W.01.01_0_44125	14	1		T.01.02_0_41578	13.2	2	F0861928050	B.10.01_0_38824	30	4
F0848664000	W.01.01_0_44125	5	1		T.01.03_0_41614	7	4	F0861941000	E.03.02_0_42668	6	3
F0848679500	W.01.01_0_44125	9	1		T.01.03_0_41614	19.2	4	F0861973000	M.02.01_0_41268	40	5
F0848679600	W.01.01_0_44125	12	1		T.03.01_0_41710	5	4		M.02.02_0_41339	40	5
F0848679700	W.01.02_0_45287	8	1		T.03.02_0_41719	3	4	F0862129000	F.03.02_1_40650	46	2
F0848680000	W.01.01_0_44125	7	1	F0851497000	B.01.01_0_47067	29	1	F0862261010	Y.01.02_0_44621	11	1
F0848681600	W.01.02_0_45287	12	1		T.03.01_0_41710	3	1		Y.01.03_0_44709	18	1
F0848681605	W.01.02_0_45287	13	1	F0852107050	T.01.01_0_41550	4.1	1	F0862345000	D.03.02_1_39804	6	2
F0848683000	W.01.02_0_45287	10	1	F0852538050	F.01.02_0_51136	7	1		F.04.01_0_46735	5	2
F0848683500	W.01.02_0_45287	9	1	F0852550010	L.02.01_0_40937	40/1	2	F0862448100	D.03.02_1_39804	11	1
F0848920000	W.01.01_0_44125	4	1		L.02.04_0_41097	41/1	2		D.12.01_1_40279	62	1
	W.01.02_0_45287	4	1		M.02.01_0_41268	60/1	2	F0862462010	L.02.01_0_40937	4	1
F0848940000	W.01.01_0_44125	8	1		M.02.02_0_41339	60/1	2		L.02.03_0_41043	4	1
F0849206005	A.03.01_0_45689	19	1	F0852550020	L.02.01_0_40937	40/2	2		L.02.04_0_41097	4	1
	A.03.02_0_45727	19	1		L.02.03_0_41043	47/1	2		M.02.01_0_41268	4	1
F0849500001	A.05.01_0_45829	1.1	1		L.02.04_0_41097	41/2	2		M.02.02_0_41339	4	1
F0849500002	A.05.01_0_45829	1.2	1		M.02.01_0_41268	60/2	2	F0862464050	A.05.01_0_45829	24	2
F0850100000	D.05.01_1_42883	1	1		M.02.02_0_41339	60/2	2	F0862478070	D.10.01_0_39887	8	3
F0850100010	D.05.01_1_42883	1	1	F0852550030	L.02.01_0_40937	40/3	1	F0862479020	B.08.02_0_38771	16	4
F0850100020	D.05.01_1_42883	1	1		L.02.03_0_41043	47/2	2		B.10.01_0_38824	20	8
F0851044000	D.01.01_0_40115	29	3		L.02.04_0_41097	41/3	2	F0862479034	B.04.03_0_39956	30	1
F0851156000	D.07.02_1_39700	33	4		M.02.01_0_41268	60/3	1		B.04.04_0_39988	18	1
F0851180000	D.13.01_0_40355	16	2		M.02.02_0_41339	60/3	1	F0862479035	A.01.01_1_48842	5	1
F0851226000	D.12.01_1_40279	58	1	F0852550040	L.02.01_0_40937	40/4	1		A.01.02_1_45599	5	1
F0851260000	D.11.01_0_40184	16	1		L.02.03_0_41043	47/3	1		A.01.03_1_45644	5	1
F0851262000	D.07.02_1_39700	34	4		M.02.01_0_41268	60/4	1		B.04.03_0_39956	19	4
	D.15.02_0_40421	4	2	F0852578060	D.07.02_1_39700	41	1		B.04.03_0_39956	29	3
F0851267050	D.07.02_1_39700	35	3		D.12.01_1_40279	48.1	2		B.04.04_0_39988	17	3
	D.11.01_0_40184	11	1	F0858520000	A.02.02_0_42523	7	1	F0862481000	A.05.01_0_45829	18	2
F0851486000	L.01.01_0_40903	31	1	F0860058010	D.03.02_1_39804	35	1		M.02.01_0_41268	35	1
	M.01.01_0_41199	54	1	F0860058020	D.03.02_1_39804	36	1		M.02.02_0_41339	35	1

SPARE PARTS INSTANCE INDEX

Code	Parts Table	Pos.	Q.ty
F0862495010	B.12.02_0_51039	11	4
F0862593050	M.01.01_0_41199	52	1
F0862655000	D.10.01_0_39887	14	4
F0862694000	A.01.02_1_45599	3	3
	A.01.03_1_45644	3	3
	D.03.02_1_39804	18	1
F0862728000	Y.01.05_0_44795	29	1
F0862785000	D.01.01_0_40115	2/1	1
F0862796000	F.01.02_0_51136	5	4
F0862875000	B.10.01_0_38824	6	1
F0862944000	D.07.02_1_39700	13	1
F0863183000	D.07.02_1_39700	40	1
F0863208050	M.01.01_0_41199	46	1
F0863267050	C.01.01_1_38975	25	6
F0863302000	T.01.03_0_41614	9	2
F0863311250	D.01.01_0_40115	13	8
	D.09.01_0_39847	5	8
F0863429000	L.01.01_0_40903	4	4
	M.01.01_0_41199	4	4
F0863586000	B.10.01_0_38824	28	6
F0863672010	T.03.03_0_42459	13	1
F0863728010	Y.01.08_0_45176	15	4
F0863890010	C.03.01_0_39252	13	16
F0863925000	C.02.02_0_39075	2	7
F0863951000	C.02.02_0_39075	4	1
F0863997010	C.02.02_0_39075	3	1
F0864180000	T.03.01_0_41710	8	8
	T.03.02_0_41719	6	8
F0864222010	C.01.01_1_38975	17	16
	T.03.03_0_42459	3	8
F0864314000	W.01.01_0_44125	18	4
	W.01.02_0_45287	16	4
F0864335020	A.01.01_1_48842	19	1
	A.01.02_1_45599	19	1

Code	Parts Table	Pos.	Q.ty
F0864335020	A.01.03_1_45644	19	1
F0864357050	W.01.01_0_44125	15.3	6
F0864357100	W.01.02_0_45287	1.3	5
F0864377000	B.03.01_0_50545	20	2
F0864410500	W.01.01_0_44125	2	4
	W.01.02_0_45287	2	4
F0865040000	B.08.02_0_38771	1	1
F0865040020	B.08.02_0_38771	2	1
F0865474000	B.08.02_0_38771	3	1
F0865474005	B.08.02_0_38771	3.1	1
F0907170150	B.07.01_0_42552	36	1
P000000005545	Y.01.01_0_44535	34	2
P000000009122	W.01.01_0_44125	13	1
P000000260007	B.02.01_1_47161	13	1
P227332000000	F.03.02_1_40650	21	1
P236220000000	A.03.01_0_45689	28	1
	A.03.02_0_45727	28	1
P236340000000	A.03.01_0_45689	26	1
	A.03.02_0_45727	26	1
P241171000000	L.02.01_0_40937	28	1
	L.02.04_0_41097	29	1
P254124000000	F.04.01_0_46735	30	2
P439149000000	B.03.01_0_50545	19	2
P470330000000	D.12.01_1_40279	14	1
P470433000000	D.12.01_1_40279	13	1
P917280000000	B.03.01_0_50545	18	2